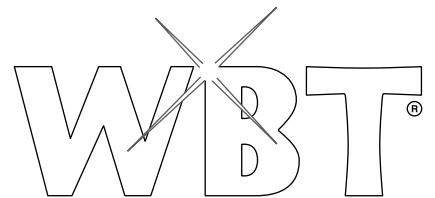


WBT-0147 E



precision mechanics
contact systems · connectors

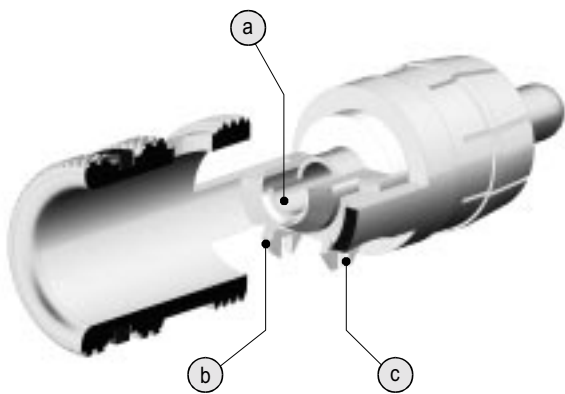
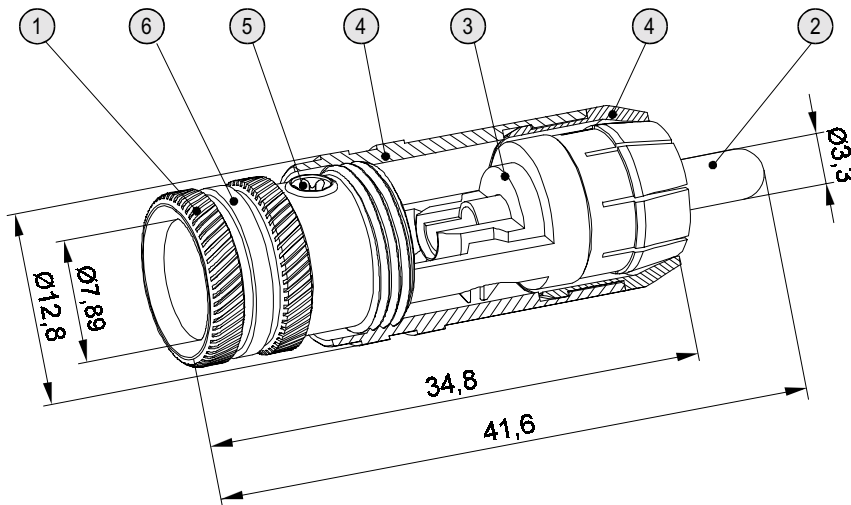


Table of contents

①	Base element	1
②	Internal contact pin	1
③	Dielectric, Teflon® PFA	1
④	Two-piece sleeve with WBT-collet chuck mechanism	1
⑤	Headless screw, M4-Spec. Torx®, T.6, length: 4 mm	1
⑥	Marking ring, red or white	1

Extent of delivery: 1-6, all parts mounted

Revision date: 15.11.1999

Mounting information

Solder points

- ① for positive pole (+)
- ② for minus pole (-)
- ③ for second minus pole for symmetrical cable

Useful accessories

WBT-silver solder
WBT-precision dynakey WBT-0481
WBT-adaption sleeves for thinner cables

Int. Pat. No. EP 0 460 145 B1
All rights reserved by WBT.
WBT is a reg. trademark of WBT, Germany.
Teflon is a reg. trademark of Du Pont.
Torx is a reg. trademark of Camcar Textron, USA.

All dimensions in mm

WBT-0147 Coaxial plug (RCA/Cinch), midline version

1. Mechanics
 - single-element, low-tolerance contact elements (tol. less than ± 0.05 mm)
 - massive base element with 8 spring contact elements, adjustable contact pressure by means of the chucking sleeve
 - protection against unintentional extraction of the plug by means of the same mechanics
 - firm caulked dielectric with twist protective imbedded one-piece internal contact pin
 - strain relief by means of extra flat headless screw for optimum cable protection with Torx® drive and with extra solid fine thread for 0.5 Nm screw pressure at the least
2. Materials
 - all solid parts made of highly ductile "OFC" copper alloy (52%)
 - dielectric: moulded part made of Teflon®
3. Surfaces:
 - plug: WBT 24 carat gold-plating
Cu 1.5 μ m, Ni 8 μ m, Au 0.2 μ m
 - sleeve: matt black lacquered, laser printed
4. Operating characteristics (reliably observed after more than 10^3 connections / disconnections)
 - constant current $I_D > 40$ A
 - contact resistance $R_D \leq 0.1$ mohms (loop, measured with WBT-0208)
 - volume resistance $R_B \leq 0.05$ mohms
 - self-capacitance $C \gg 2.45$ pF
 - surge impedance (projective) $Z = 16$ ohms
5. Terminals
 - solder-type, for cables up to 2.5 mm² (AWG 14)
6. Dimensions
 - outer dia. 12.8 mm
 - total length 41.6 mm
 - for cable up to 7.89 mm, please ask for our WBT-adaption sleeves to adjust cable dia. of thinner cables



Original size

© by WBT - Germany 00440147 E 11.99 - Printed in Germany