

Table of contents

1	Base element	1
2	Adjusting nut	1
3	Compression pad	1
4	Counternut	1
5	Doublestep washer with square socket and tappet: red, white or black	1
6	Insulating tooth- or bowl lockwasher: red, white or black/alternative 30 mm puzzle lockwasher: black	1
10	Serrated lock washer, bronze, optional	1
11	Torx* screw, M 4 x 7, optional	1

Extend of delivery: 1-3 mounted, 4-6 attached, 10-11 optional

Revision date: 2000-06-13

All rights reserved by WBT · Petty patent (DBGM 90020367) and int. registered design (M9001263) by WBT. WBT is a reg. trademark of WBT, Germany.

* Torx is a reg. trademark of Camcar Textron, USA.

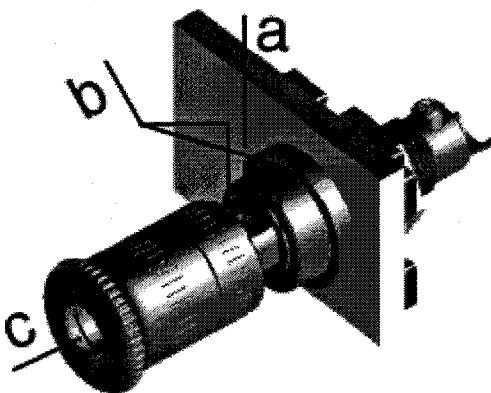
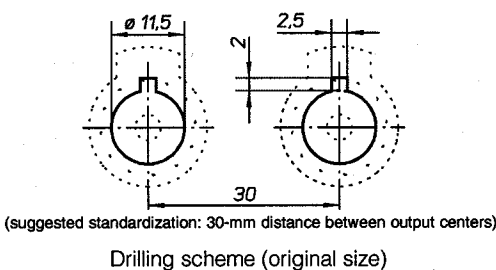
Also available as fully insulated, contact-protected part (WBT-0765), in accordance with the safety standards of CE* und IEC** 65.

* CE is the abbreviation of Conformité Européenne.
** IEC is the abbreviation of International Electrotechnical Commission.

All dimensions in mm

WBT-0763 Pole terminal

High-current pole terminal for cabinet mounting, mushroom style



External connection possibilities (see under 5.)

- Mechanics**
 - single-segment, low-tolerance contact elements (tol. less than ± 0.05 mm)
 - solid basic element with 4-mm boring for banana plug, internal screw box and cross boring (dia. 5.6 mm) also for thick cables. Adjusting nut with extra-fine thread (0.5 pitch) and free running compression pad with cross-milled surface for optimum contact pressure, reduces wear on cables.
- Materials**
 - all solid parts made of highly ductile "OFC" copper alloy (52% Cu)
 - insulating material: polyamide (PA) 6 (15% glass fibre), red, white or black / Makrolon® polycarbonate), transparent/ polycarbonate (30% glass fibre), black
- Surfaces**
 - WBT gold-plating, 24 carat, non-ferromagnetic
Cu 1.5 μ m, Ni 8 μ m, Au 0.2 μ m
- Operating characteristics**
 - constant current $I_b > 200$ A
 - contact resistance $R_c \leq 0.1$ mohms (clamp connection)
 - contact resistance $R_c \leq 0.15$ mohms (plug connection with standard banana plug)
 - contact resistance $R_c \leq 0.1$ mohms (plug connection with WBT banana plug)
 - volume resistance $R_v \leq 0.003$ mohms
 - isolation resistance $R_{iso} > 10^{10}$ ohms
- Terminals**
 - internal connection (for cables up to 10 mm² (AWG 8)):
 - - soldering version,
 - - crimping version (only with additional Torx* screw 11)
 - external connection:
 - a) for cable ends up to 6 mm² (AWG 10)
 - b) spade lugs (with 6- and 8-mm contact fork)
 - c) for 4 mm banana plugs
- Mounting**
 - boring: $\varnothing 11.5^{+0.2}$ mm with 2.5 x 2 mm nut for twist protection
 - WBT also offers special-parts and -information hereto. Please ask us!
- Safety instruction:** within the EU territory WBT-0763 must not be used without the safety-stick (WBT-0799) (to provisionally close the 4-mm banana-boring).