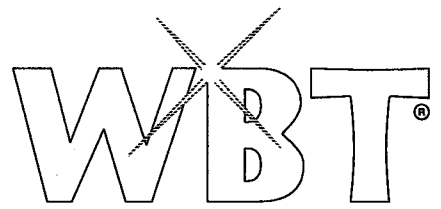


WBT-0702.01 Standard
 WBT-0702.11 Signature gold
 WBT-0702.12 Signature platinum

E



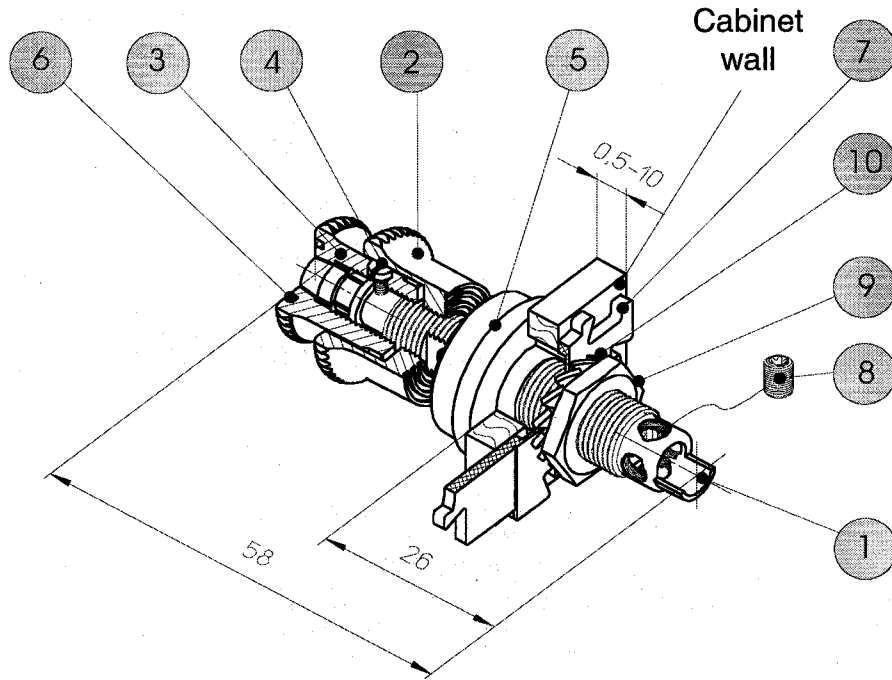
precision mechanics
 contact systems · connectors

Table of contents		
1	Base element	1
2	Adjusting nut	1
3	Compression pad	1
4	Locking screw, M1.6 x 3 DIN 84	1
5	Doublestep washer with square socket and tappet, PA, red, white or black	1
6	Marking ring, PA, red, white or black	1
7	Insulating puzzle lock washer, PC, black	1
8	Torx® screw, M4 x 7, brass	1
9	Counternut	1
10	Optional fan-shaped washer, bronze	1
Extent of delivery: 1-9, 10 optional, parts 1-6, 8, 9 mounted *		
Revision date: 2001-04-26		

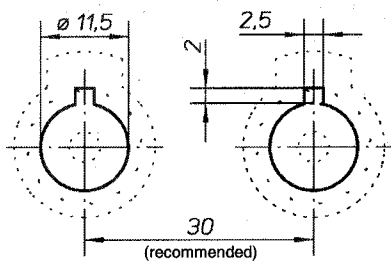
All rights reserved by WBT · Petty patent (DBGM 90020367) and int. registered design (M9001263) by WBT. WBT is a reg. trademark of WBT, Germany.

Torx is a reg. trademark of Camcar Textron, USA.

* for consumer version only,
 for OEM version: 1-4, 6 mounted



All dimensions in mm



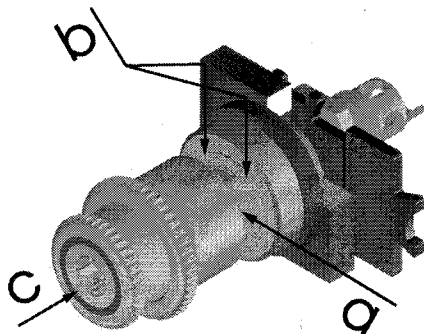
Drilling scheme (original size)

WBT-0702 Pole terminal

High-current pole terminal for cabinet mounting

- Mechanics**
 - single-segment, low-tolerance contact elements (tol. less than ± 0.02 mm)
 - solid basic element with 4-mm boring and collet chuck for banana plug and internal screw box with cross boring for direct cable connection. Adjusting nut with fine thread for optimum contact pressure on spade lugs and cable ends.
- Materials**
 - all solid parts made of highly ductile "OFC" copper alloy (68% Cu)
 - insulating material: polyamide (PA) 6 (10% glass fibre), red, white or black / polycarbonate (PC) (30% glass fibre), black
- Surfaces**
 - Standard: 3-layer finish, Au 0.3 μ m, non-magnetic
 - Signature: plated and polished, 1-layer finish, Au 0.3 μ m or Pt 0.3 μ m, non-magnetic
- Operating characteristics**

	Standard	Signature
- constant current	$I_D > 400$ A	$I_D > 400$ A
- peak current:	$I_S > 2,000$ A	$I_S > 2,000$ A
- contact resistance	$R_C \leq 0.1$ mohms	$R_C \leq 0.07$ mohms
- volume resistance	$R_B \leq 0.003$ mohms	$R_B \leq 0.002$ mohms
- isolation resistance	$R_{iso} > 10^{10}$ ohms	$R_{iso} > 10^{10}$ ohms
- Terminals**
 - internal connection (for cables up to 10 mm² (AWG 8)):
 - soldering version
 - crimping version
 - external connection:
 - a) for crimped cable ends up to 6 mm² (AWG 10)
 - b) spade lugs (with 6- and 8-mm contact fork)
 - c) for 4-mm banana plugs
- Mounting**
 - boring: $\varnothing 11.5^{+0.2}$ mm with 2.5 x 2 nut for twist protection
 - recommended torque for the counternut: 8.5 Nm
 - WBT also offers special parts and information hereto. Please ask us!



External connection possibilities
 (see under 5.)

New: WBT mounting plates made of aluminium, mono- and bi-wiring plates equipped with WBT terminals are also available.