

Drilling scheme (original size)

Table of contents

①	Base element	1
②	Internal socket with WBT double prism contact (WBT active spring principle)	1
③	Double-wrap spring lock washer, bronze	1
④	3-hole-counternut	1
⑤	Internal insulation, red or white PA	1
⑥	Internal dielectric, Teflon*	1
⑦	Space washer, PA, 1 mm	1
⑧	Space washer, PA, 2 mm	1
⑨	Step washer, PA, 3,5 mm	1
⑩	Double step washer with flate hole and tappet, PA, 4,6 mm, red or white	1

Extent of delivery : 1-10, all parts mounted

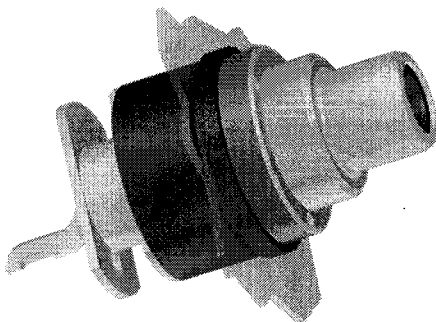
Revision date : 25.04.1997

All rights reserved by WBT · Petty patent (DBGM8527598) and int. registered design (M9001263) by WBT. WBT is a reg. trademark of WBT, Germany. * Teflon is a reg. trademark of Du Pont.

All dimensions in mm, values in brackets: inch

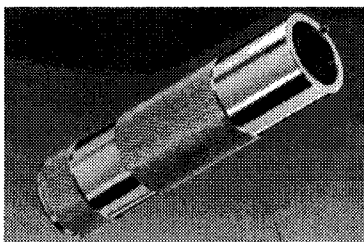
WBT-0244 Coaxial socket (RCA)

Coaxial socket for cabinet mounting, *soldering version*



- Mechanics**
 - single-segment, low-tolerance contact elements (tol. less than ± 0.05 mm)
 - external socket with solder lugs machined directly from basic element
 - internal socket with double prism contact areas, WBT active spring mechanic with its double-wrap bronze spring lock washer; large spring travel for constant contact pressure even if counterpieces are imprecisely worked
- Materials**
 - external socket made of highly ductile "OFC" copper alloy (52%)
 - internal socket made of pure E-Cu (99.996%)
 - internal insulating material: moulded Teflon* part
 - external insulating material: polyamide 6
- Surfaces**
 - external socket: WBT 24-carat gold-plating
Cu 1.5 μ m, Ni 8 μ m, Au 0.2 μ m
 - internal socket: single-layer direct gold-plating with Au 0.25 μ m
- Operating characteristics** (reliably observed after more than 10^3 connections/disconnections)

- constant current	$I_D > 40$ A
- contact resistance	$R_C \leq 0.1$ mohms (loop, measured with WBT-0108)
- volume resistance	$R_B \leq 0.05$ mohms
- self-capacitance	$C \approx 6.3$ pF
- insulation resistance	$R_{iso} > 10^{10}$ ohms
- surge impedance (projective)	$Z = 16$ ohms
- Terminals**
 - soldering version, for cables up to 2.5 mm²
- Mounting**
 - problem-free by hand using the knurled nut
 - for series processing we recommend the special mandrel tool WBT-0299
 - recommended distance of two socket centers: 17.78 mm = 7/10 inch (standard)



Special mandrel tool WBT-0299