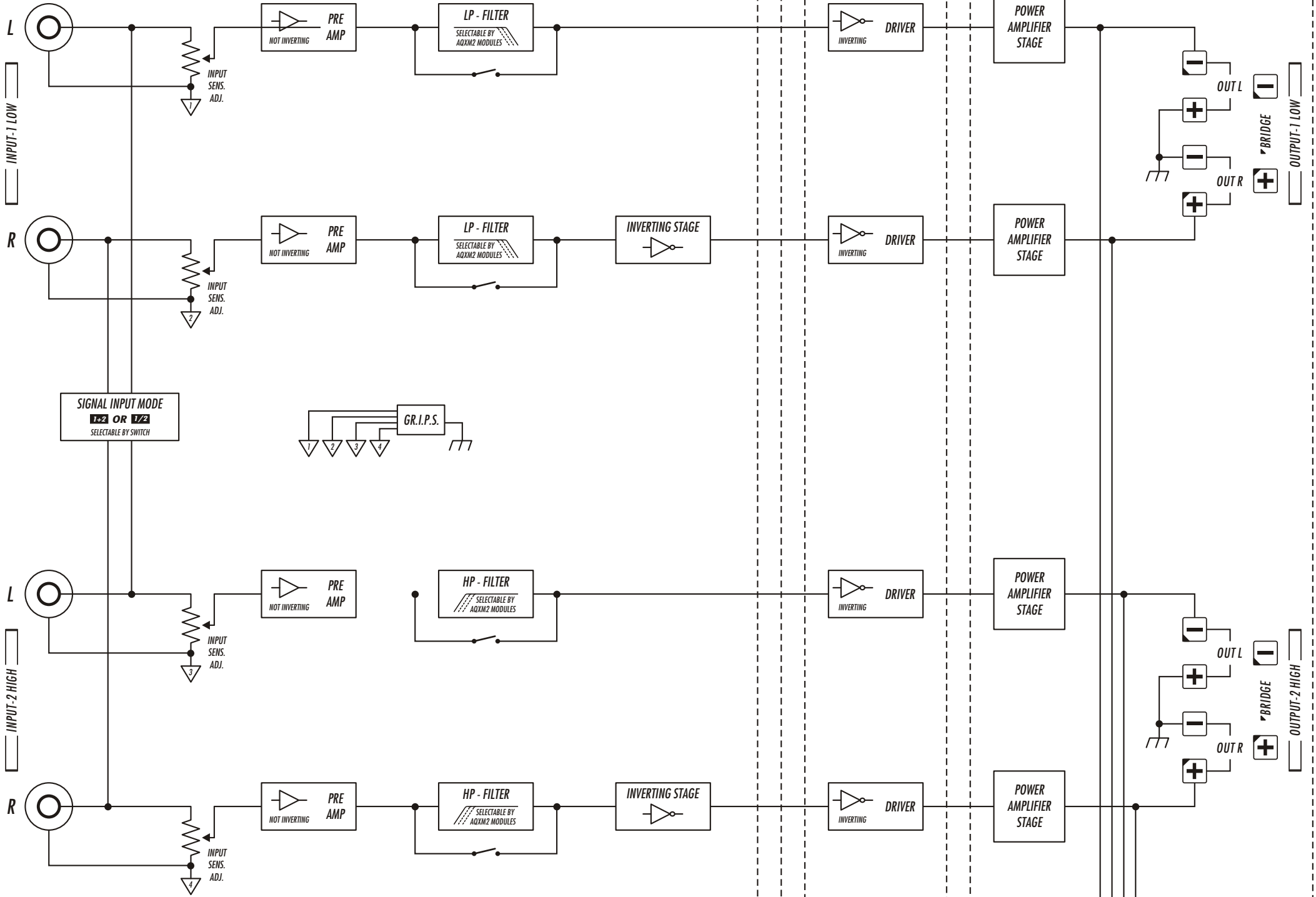


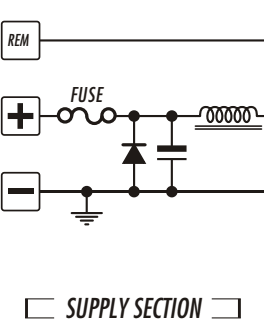
PREAMPLIFIER AND CROSSOVER SECTION

POWER AMPLIFIER SECTION



INDICATORS SECTION

STATUS INDICATOR  
POWER ON INDICATOR



P.R.H.E.S.S.

GROUND REFERENCE

PRE-AMP SUPPLY REGULATOR

DRIVER SUPPLY REGULATOR

MUTE

TERMAL PROTECTOR

OVER LOAD PROTECTOR

DC VOLTAGE DRIFT PROTECTOR

POWER ON/OFF MUTE DRIVER

PROTECTORS SECTION

