

## Revelator 5¼" Midwoofer



Type Number: 15S/8530K01

### Features:

The Revelator series has for years been celebrated for producing the best sounding electro dynamic transducers in the world. Since ScanSpeak was founded in 1970, the audio engineers and R&D experts working on the line have been on a quest to create drivers that reveal all the sound in recordings, hiding nothing from the listener. This quest has resulted in several revolutionary inventions that remove distortion in the magnet systems and in the moving parts of the speaker. The philosophy is that the sound has to be very dynamic, giving a perfect transient response and providing tonal balance.

One of the latest inventions realized in the Revelator midrange design is the sliced paper cone, which reduces break-up modes in the membrane dramatically. The result is an undisputed clarity in sound.

Driver Highlights: Low loss linear suspension, sliced paper cone, SD-1 motor, shielded



### Specs:

#### Electrical Data

|                       |      |      |     |
|-----------------------|------|------|-----|
| Nominal impedance     | Zn   | 8    | ohm |
| Minimum impedance     | Zmin | --   | ohm |
| Maximum impedance     | Zo   | --   | ohm |
| DC resistance         | Re   | 5.8  | ohm |
| Voice coil inductance | Le   | 0.35 | mH  |

#### T-S Parameters

|                         |     |      |                 |
|-------------------------|-----|------|-----------------|
| Resonance Frequency     | fs  | 32   | Hz              |
| Mechanical Q factor     | Qms | 4.7  |                 |
| Electrical Q factor     | Qes | 0.43 |                 |
| Total Q factor          | Qts | 0.39 |                 |
| Ratio fs/Qts            | F   | --   |                 |
| Force factor            | Bl  | 5.9  | Tm              |
| Mechanical resistance   | Rms | 0.55 | Kg/s            |
| Moving mass             | Mms | 12.8 | g               |
| Suspension compliance   | Cms | --   | mm/N            |
| Effective cone diameter | D   | --   | cm              |
| Effective piston area   | Sd  | 95   | cm <sup>2</sup> |
| Equivalent volume       | Vas | 24.8 | ltrs            |
| Sensitivity             |     | 84   | dB              |
| Ratio BL/√(Re)          |     | --   |                 |

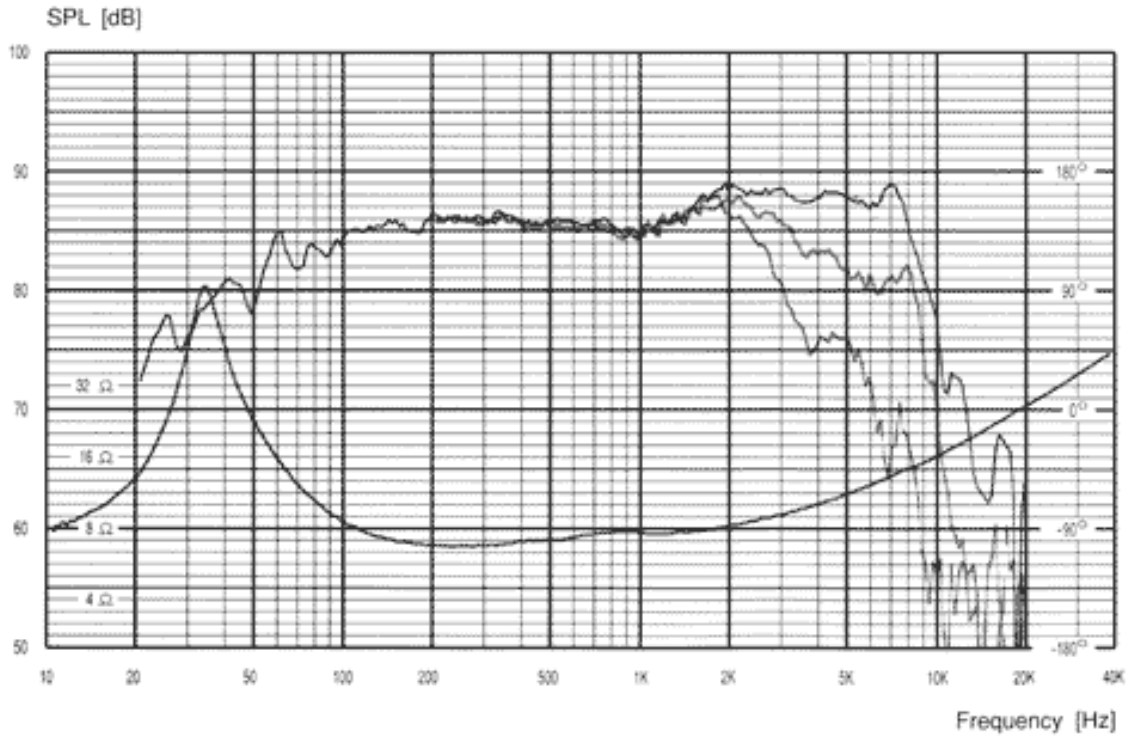
#### Power handling

|                                  |    |      |
|----------------------------------|----|------|
| 100h RMS noise test (IEC)        | 60 | W    |
| Long-term Max System Power (IEC) | -- | W    |
| Max linear SPL (rms) @ power     | -- | dB/W |
| Short Term Max power             | -- | W    |

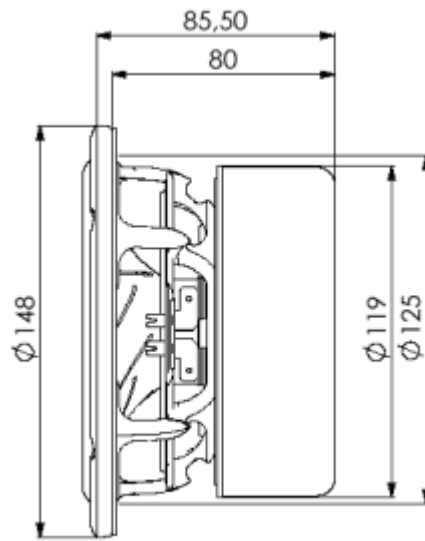
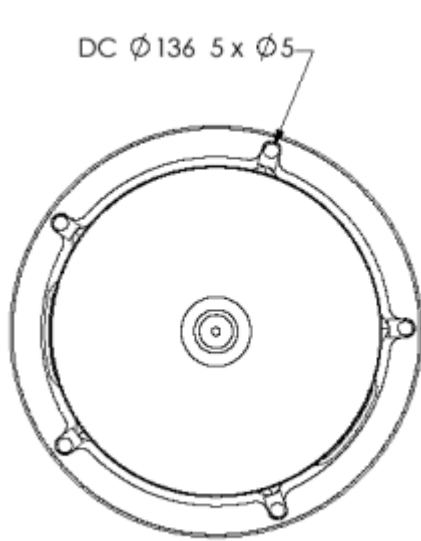
#### Voice Coil and Magnet Parameters

|                         |     |     |
|-------------------------|-----|-----|
| Voice coil diameter     | 38  | mm  |
| Voice coil height       | --  | mm  |
| Voice coil layers       | --  |     |
| Height of the gap       | --  | mm  |
| Linear excursion +/-    | 6.5 | mm  |
| Max mech. excursion +/- | 11  | mm  |
| Flux density of gap     | --  | mWb |
| Total useful flux       | --  | mWb |
| Diameter of magnet      | --  | mm  |
| Height of magnet        | --  | mm  |
| Weight of magnet        | --  | Kg  |

**Frequency:**



**Mechanical Dimensions:**



**Drawing Dimensions**

|                       |    |     |    |
|-----------------------|----|-----|----|
| Outside Diameter      | OD | 148 | mm |
| Flange Thickness      | FT | --  | mm |
| Magnet Diameter       | MD | 119 | mm |
| Cutout Diameter       | CD | 125 | mm |
| Interior Depth        | ID | 80  | mm |
| Hole Diameter         | HD | 5   | mm |
| Screw Circle Diameter | SD | 136 | mm |