

ADMW 6/9/10

3 WAY ADD-ON KIT

Installation Guide



www.morelhifi.com

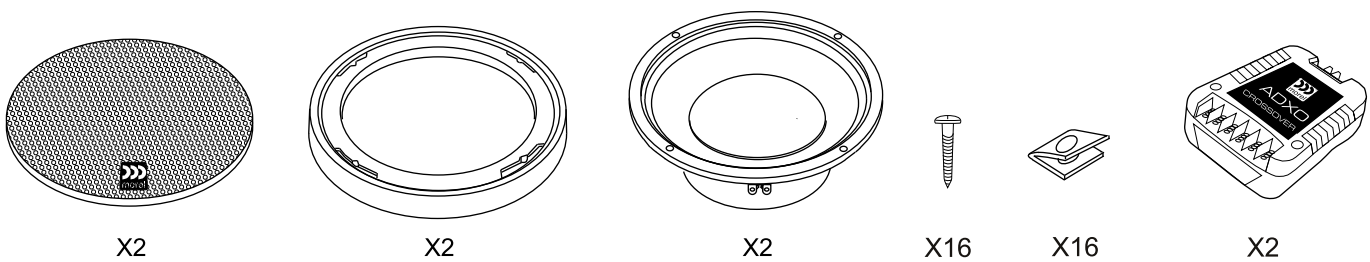
ADMW 3 way add-on kit

Improving a 2-way component system or coaxial speakers has never been easier with Morel's 3-way add-on woofers kit. Available in 6", 9", and 10" and with a high quality Hi-Pass/Low-Pass crossover, installers can upgrade most 2-way component systems or coaxial speakers by adding another pair of bass woofer to improve dynamic range and bass response and overall sound quality.

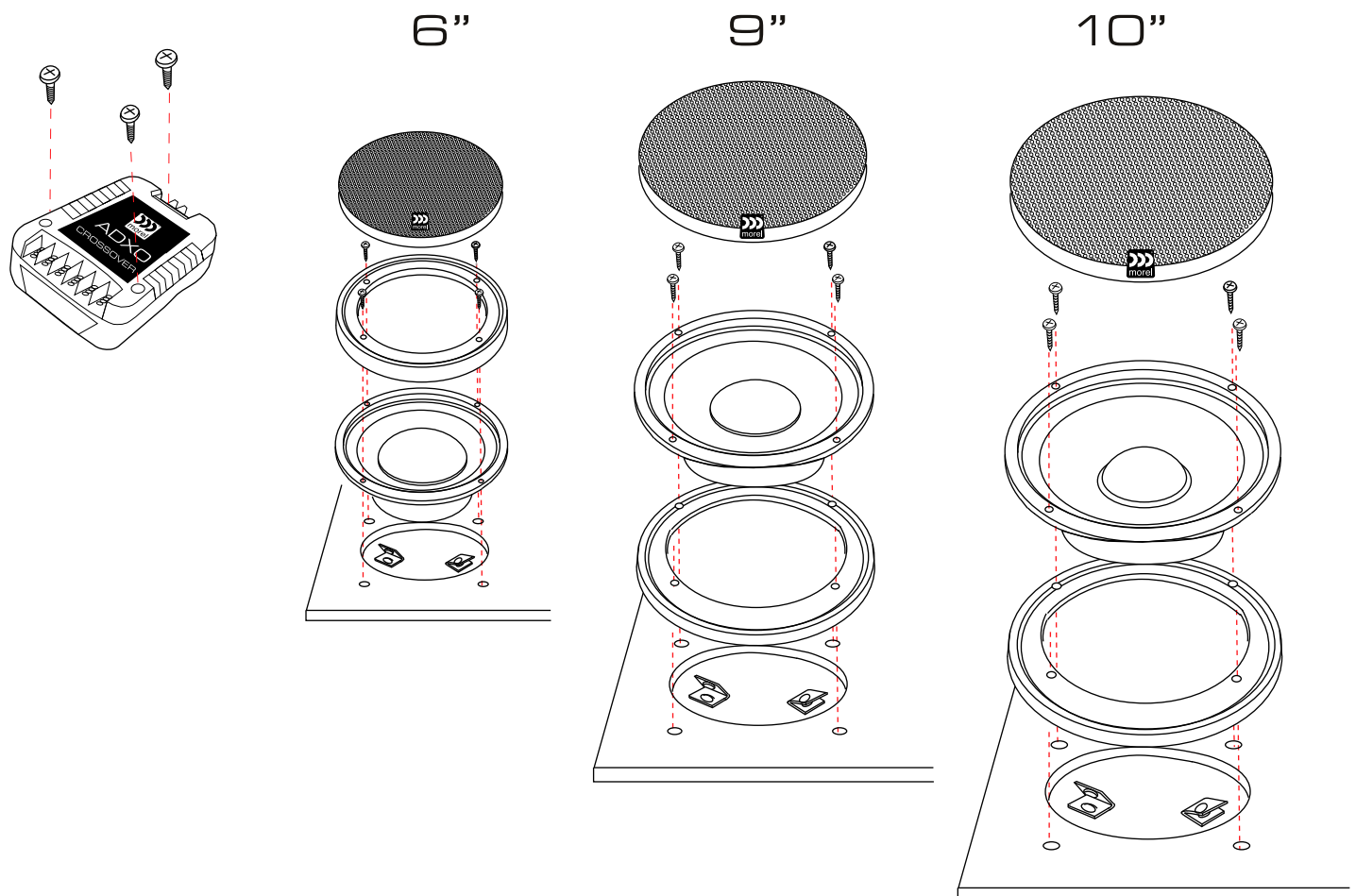
The ADXO is a high quality high-pass/low-pass crossover that filters the low frequency range from reaching the existing speakers in the car, thus providing additional protection and reduced distortion. The low frequency range is then directed to the ADMW woofers, which are designed to reproduce low frequency at high levels.

Please use the following installation diagram to connect the ADMW woofer and ADXO to your system. Please make sure to keep polarity consistent to avoid distorted soundstage and imaging.

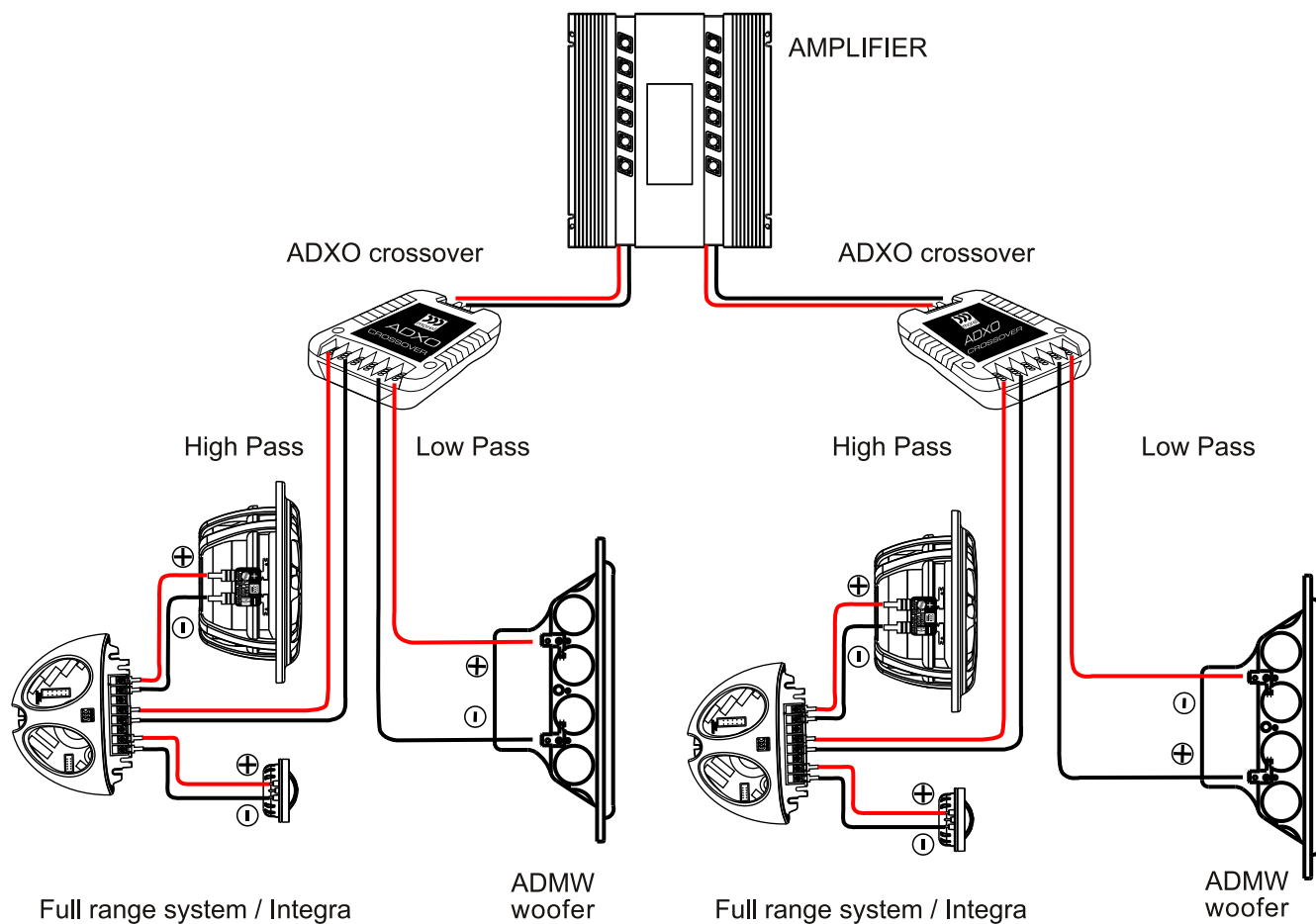
Package Content



Woofer and crossover mounting



Wiring ADMW add-on kit with 2 way system



Specifications

3-Way Add-On Kit	ADMW 6	ADMW 9	ADMW 10
Woofer Diameter	165mm (6.5")	222mm (9")	262mm (10")
Nominal Impedance	4 ohm	4 ohm	4 ohm
Power Handling	160W	180W	200W
Max. Transient Power Handling	1000W	1000W	1000W
Sensitivity (2.83V/1M)	87dB	88dB	89dB
Frequency Response	30-3500Hz	25-3000 Hz	20-2500 Hz
Crossover Point	150 Hz HP/LP	150 Hz HP/LP	150 Hz HP/LP
Voice Coil Diameter	75mm (3.00")	75mm (3.00")	75mm (3.00")
Voice Coil Wire	Aluminium Hexatech	Aluminium Hexatech	Aluminium Hexatech
Magnet System	Double ferrite	Double ferrite	Double ferrite
Mounting Depth	61mm (2.40")	71mm (2.80")	74mm (2.91")



www.morehifi.com
