

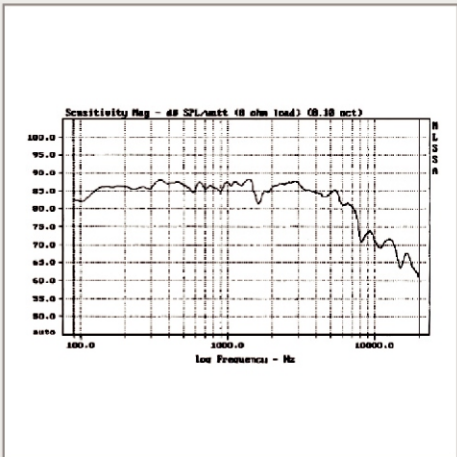
# HU 521 NEW - 5" BASS MIDRANGE

Uniflow Diecast Chassis, Hybrid Mgnet Motor



## FEATURES:

- Hybr d magnet vented motor
- Large Hexatech aluminum voice coil
- Aluminum diecast chassis
- High power handling
- Shallow profile DCP cone



## Specifications

Overall Dimensions		145mm(5.7")x68mm(2.56")
Nominal Power Handling (D.N)	P	160 W
Transient power 10ms		1000 W
Nominal Impedance	Z	8 Ohms
Sensitivity 1W/1M		88 dB
Frequency Response		40 - 5000 Hz
Resonant Frequency	FS	44 Hz

## Voice coil

Voice Coil Diameter	DIA	54mm (2 1/8")
Voice Coil Height		12.0mm (0.47")
Voice Coil Former		Aluminum
Voice Coil Wire		Hexatech Aluminum
Number of Layers		2
DC Resistance	RE	5.60 Ohms
Voice Coil Inductance @ 1KHz	LBM	0.53 mH

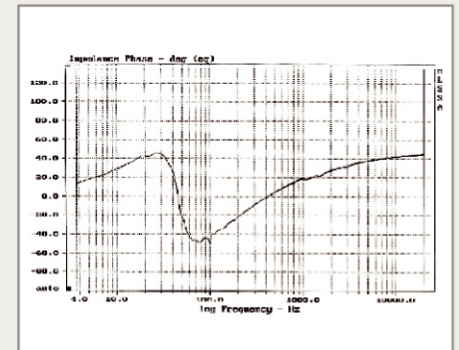
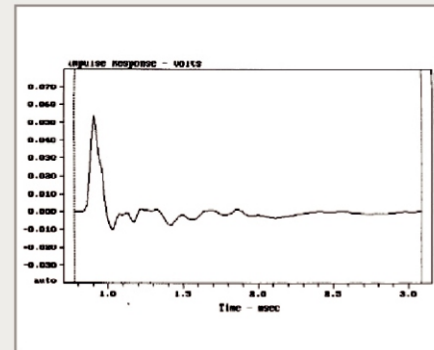
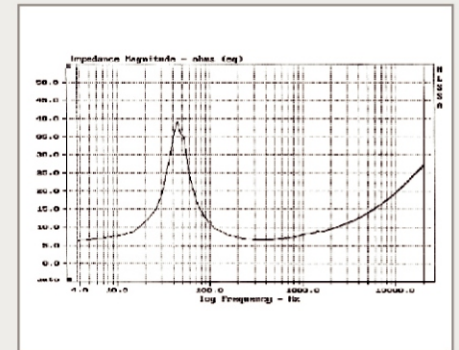
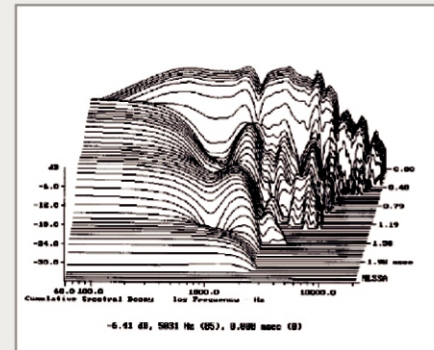
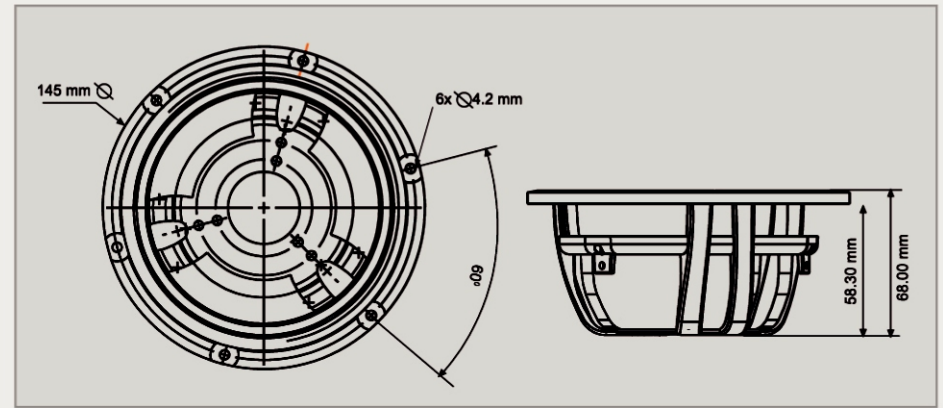
## Magnet System

Magnet System Type		Hybrid, Rear Vented
HE - Magnetic Gap Height	HE	5mm (0.20")
B Flux Density	B	0.8 T
BL Product	BXL	8.00 N.A
Max. Linear Excursion	X	+/-3.5mm (0.137")

## Operational Parameters

Suspension Compliance	CMS	14.40 uM / N
Mechanical Q Factor	QMS	2.30
Electrical Q Factor	QES	0.40
Total Q Factor	Q/T	0.34
Mechanical Resistance	RMS	1.15 Kg.
Moving Mass	MMS	9.2
Eq. Cas Air Load (liters)	VAS	16.0 L
Cone / Dome Material		DPC
Effective Piston Area	SD	90 cm²
Net Weight	Kg.	1.1 Kg.

# HU 521



morel HIGH FIDELITY



www.morelhifi.com