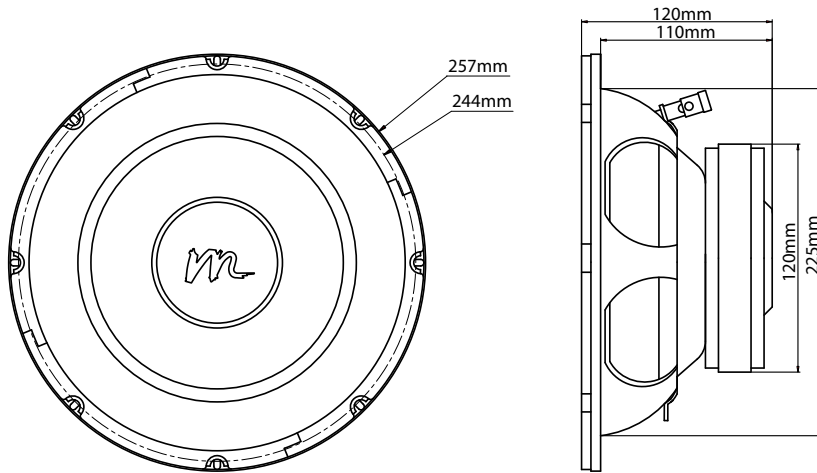




# MBW.104

25cm (10") Sub woofer  
400 watts max power handling



### Theile-Small parameters

<b>Fs :</b>	24	Hz
<b>Qms</b>	5,63	
<b>Vas:</b>	80,6	Liters
<b>Cms:</b>	479	um/N
<b>Mms:</b>	92,5	g
<b>X-max:</b>		mm
<b>Qes:</b>	0,51	
<b>Re:</b>	3,3	Ohms
<b>BL:</b>	9,51	Tm
<b>Qts:</b>	0,47	
<b>SPL:</b>	88	dB

### Sealed Enclosure

<b>Enclosure volume</b>	Liters	14	16	20	24	28
<b>F-3</b>	Hz	49,5	47	44	42	40
<b>Qtc</b>		1,19	1,1	1	0,95	0,89
<b>Net volume</b>	Liters	12,4	14,4	18,4	22,4	26,4
<b>Driver volume</b>	Liters	1,6	1,6	1,6	1,6	1,6
<b>Excursion limit SPL</b>	dB	113	113	113	112	111
<b>Excursion limit Power</b>	W	400	400	400	400	400

### Vented Enclosure

<b>Enclosure volume</b>	Liters	20	24	28	35	40
<b>Vented dimensions</b>	Ø x mm	60x194	60x202	60x162	60x168	60x138
<b>F-3</b>	Hz	45	40	38	34	33
<b>Tuning frequency</b>	Hz	45	41	40	35	35
<b>Net volume</b>	Liters	17,8	21,9	25,8	32,8	37,8
<b>Driver volume</b>	Liters	1,6	1,6	1,6	1,6	1,6
<b>Vented volume</b>	Liters	0,67	0,7	0,56	0,58	0,4
<b>Excursion limit SPL</b>	dB	116	115	115	114	114
<b>Excursion limit Power</b>	W	400	400	400	400	400

Due to continuing improvement, the features and the specification are subject to change without notice