



FT33RP

Features

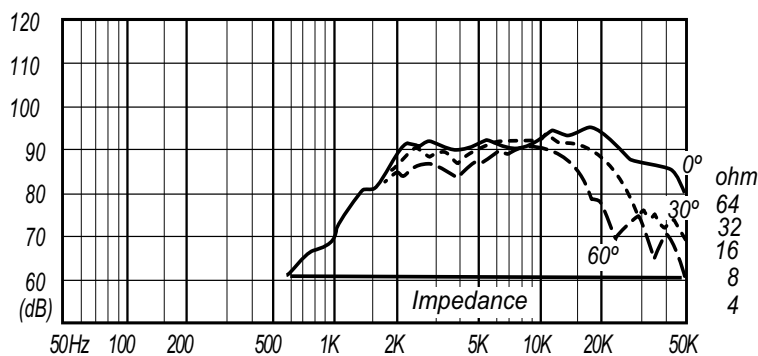
- ◆ RP Tweeter
- ◆ 8 ohm impedance
- ◆ 2kHz to 45kHz frequency response
- ◆ 91dB sensitivity at 1W/1m (3.3ft)
- ◆ 0.387kg (0.85 lb) net weight



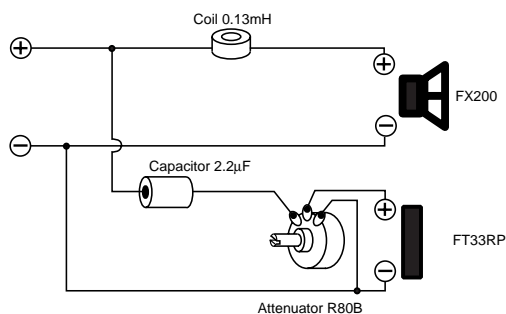
Specifications

Impedance	: 8 ohm
Reproduction Frequency Response	: 2kHz - 45kHz
S.P.L.	: 91dB/W (m)
Music Power	: 60W
Recommended Cross-over Frequency	: more than 3.5kHz
Magnet Weight	: 29g (0.06 lb)
Net Weight	: 387g (0.85 lb)

Frequency Response / Impedance



Configuration Example



Dimensions & Mounting Information

