

# 100 V Slim

## 4" Polyglass 2-way



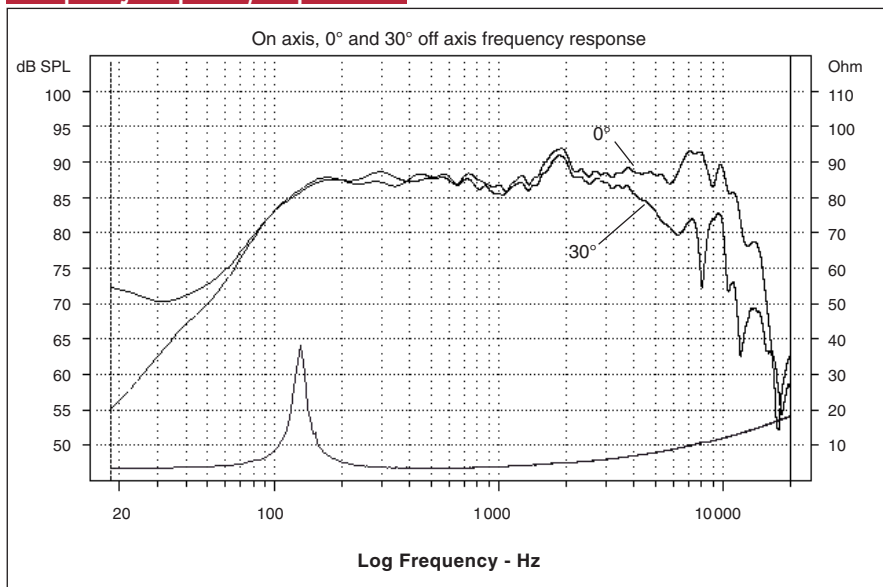
- Zamak chassis
- Polyglass cone, Butyl surround
- Neodymium magnet



### Specifications

Nominal power	40 W	
Maximum power	80 W	
Sensitivity (2.83V/m)	91 dB	
Cone	Polyglass	
Surround	Butyl	
Nom. impedance	4 ohms	
DC resistance	3.2 ohms	
VC diameter	25 mm	1 in
VC height	8 mm	5/16 in
Former	Kapton	
Layers	2	
Wire	Copper	
Inductance	0.2 mH	
Xmax	2 mm	1/16 in
Magnet (dxh)	-	
Magnet weight	-	
Flux density	1.1 T	
Gap height	3 mm	1/8 in
Net weight	350 g	0.77 lb

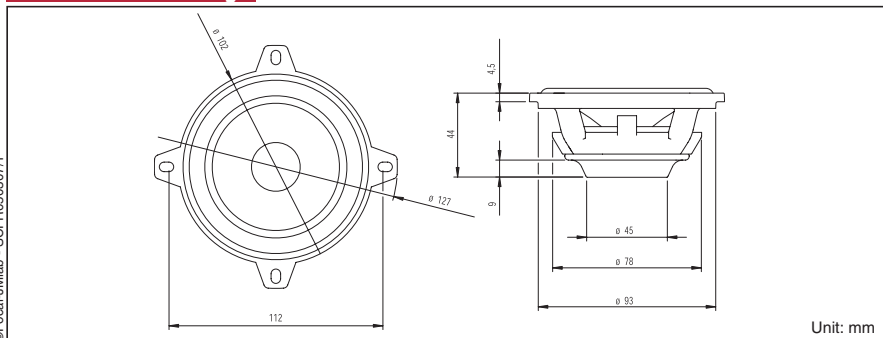
### Frequency Response / Impedance



### Parameters

Fs	117.66 Hz	
Vas	1.43 l	0.05 Ft <sup>3</sup>
Qts	0.811	
Qes	0.880	
Qms	10.410	
Re	3.55 ohms	
Sd	52.81 cm <sup>2</sup>	8.18 in <sup>2</sup>
Cas	1.02E-08 m <sup>5</sup> /N	
Mas	179.28 kg/m <sup>4</sup>	
Ras	12731.89 ohms.ac	
Cms	3.66E-04 m/N	
Mms	5.00 g	0.01 lb
Rms	0.355 Kg/s	
Ces	335.31 mF	
Les	5.46 mH	
Res	41.99 ohms	
BI	3.86 N/A	
SPL	86.08 dB/W/m	

### Mechanical Drawing



Focal® is a trademark of Focal-JMLab®