

Z2

Welcome to Bowers & Wilkins and Z2

Thank you for choosing Bowers & Wilkins. When John Bowers first established our company he did so in the belief that imaginative design, innovative engineering and advanced technology were keys that could unlock the enjoyment of audio in the home. His belief is one that we continue to share and it inspires every product we design.

Z2 is more than just an iPod® dock. As well as listening to audio stored on your iPod or iPhone® you can use it to:

- Play audio directly from iTunes® via either a cable or wireless network connection.
- Connect and listen to an external audio source such as a TV or a non-USB portable music player.

This manual will tell you everything you need to know to get the most from your Z2. It begins by describing the contents of the Z2 carton.



1. Z2 Carton Contents

1. Z2
2. Power supply
3. Remote control
4. Document pack

Environmental Information

This product complies with international directives, including but not limited to the **R**estriction of **H**azardous **S**ubstances (RoHS) in electrical and electronic equipment, the **R**egistration, **E**valuation, **A**uthorisation and restriction of **C**hemicals (REACH) and the disposal of **W**aste **E**lectrical and **E**lectronic **E**quipment (WEEE). Consult your local waste disposal authority for guidance on how properly to recycle or dispose of this product.

The Lightning connector works with iPhone 5, iPod touch (5th generation) and iPod nano (7th generation).

AirPlay works with iPhone, iPod touch and iPad with iOS 4.3.3 or later, Mac with OS X Mountain Lion, or Mac and PC with iTunes 10.2.2 or later.



2. Connecting to your Z2

You can connect to your Z2 three different ways:

- Using AirPlay® .
- Using the Lightning™ connector.
- Using the Auxiliary input.

Diagram 1 illustrates the Z2 rear panel connection sockets.

AirPlay Connection

Z2 is able to play audio from iTunes either wirelessly or via a wired (Ethernet) connection using AirPlay streaming technology. When connected to the same network as a computer running iTunes, Z2 can appear as an output option in the pop-up AirPlay menu. See Section 5 for information on configuring Z2 to join your home network and on configuring iTunes to play through Z2.

Note: Please ensure you have installed the latest version of iTunes.

Note: A standard Ethernet cable is required if you wish to connect your Z2 to an Ethernet network.

As well as streaming audio from iTunes, AirPlay also makes it possible to stream audio directly to Z2 from an iPod touch, iPhone or iPad®. Any iPod touch, iPhone or iPad application that incorporates a volume control will have an additional icon that enables selection of available remote speakers for playback. Any AirPlay device within wireless range will be included in the selection list.

Lightning Connector

Z2's Lightning connector is compatible with iPhone 5, iPod touch (5th generation) and iPod nano (7th generation). Older iPod or iPhone models, or alternative music players, may be used by connecting their headphone sockets to the Z2 rear panel AUX input. iPhone and iPod models are charged when docked if the Z2 is on or in Sleep or Standby mode.

Auxiliary Input (AUX)

If you wish to listen to an external analogue source, connect it to Z2 AUX input socket using an analogue cable terminated with a mini-jack plug.

Mains Input (POWER)

Connect Z2 to a mains outlet socket using the power supply. When first connected to mains power Z2 will automatically power up with its indicator pulsing red.

Note: The table in Section 4 describes all Z2 indicator colours and their meanings.

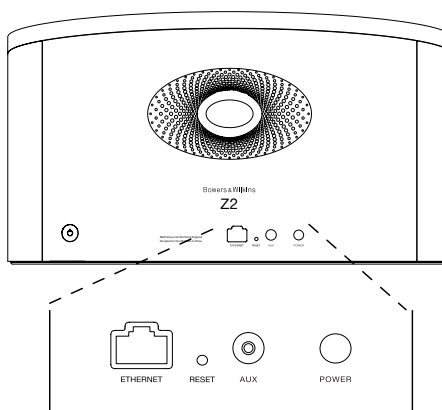


Diagram 1
Z2 back panel

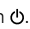
3. Using Z2

Z2 can be operated either from the controls on its body, or from the remote control. If the remote control is to be used, the battery insulating tab must first be removed. This is illustrated in Diagram 3 Diagram 4 illustrates the control key functions.

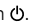
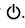
3.1 Switching On and Off

In addition to normal operating mode, Z2 has both Standby and Sleep modes. In Standby mode, all Z2 functions are switched off and the power consumption minimised. In Sleep mode, the Z2 wireless function remains connected to the network. The Z2 indicator illuminates dim red in Sleep mode and will turn off in Standby mode.

Z2 can be switched from Standby mode by the following actions:

- Pressing the Z2 Standby button .
- Docking an iPod or iPhone.

Z2 can be switched from Sleep mode by the following actions:

- Pressing the Z2 Standby button .
- Pressing remote control Standby key .
- Docking an iPod or iPhone.
- Streaming music to Z2 by Airplay.
- Play music through the AUX input.

When Z2 is switched on from Standby or Sleep, the last input used will be selected if it is still connected. If the last input used is no longer connected, Z2 will automatically scan its inputs AUX, Dock, AirPlay, and select the first connected one it finds. The Z2 indicator will change to the colour that designates the selected input. If no connected input is found, Z2 will select the AirPlay input by default.

Note: For first time power up when AirPlay has not been set up the indicator will flash Yellow.

Note: The table in Section 4 describes all the Z2 indicator colours and their meanings.

To switch Z2 into Sleep mode, either press the remote control Standby key or press and hold the Z2 Standby button for 2 seconds. The Z2 indicator will illuminate dim red.

To switch Z2 into Standby mode, press and hold the Z2 Standby button for 4 seconds. The Z2 indicator will turn off.

Note: It is not possible to switch Z2 into Standby mode from the remote control.

Note: The Z2 will automatically enter Sleep mode if left inactive for more than 30 minutes.

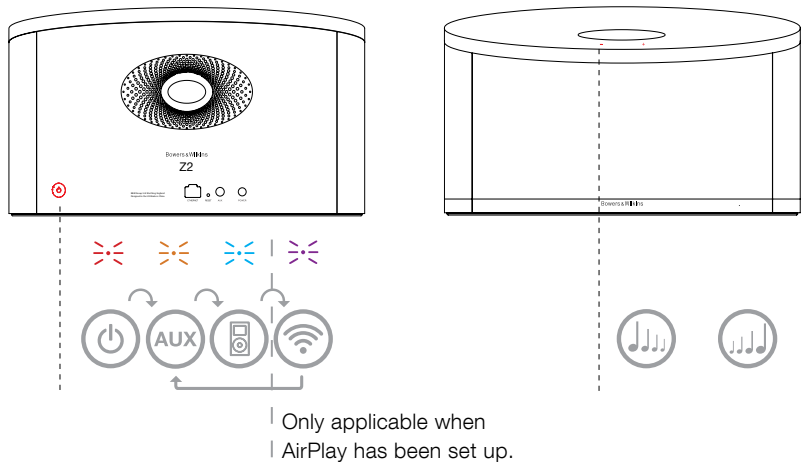


Diagram 2
Z2 controls explained

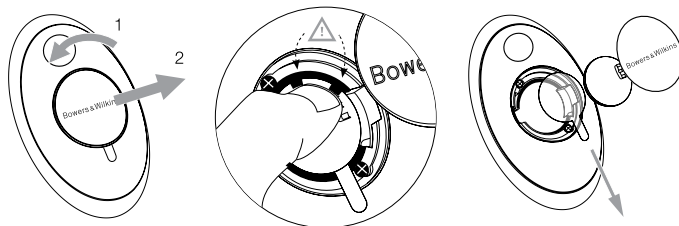


Diagram 3
Z2 insulating tab removal

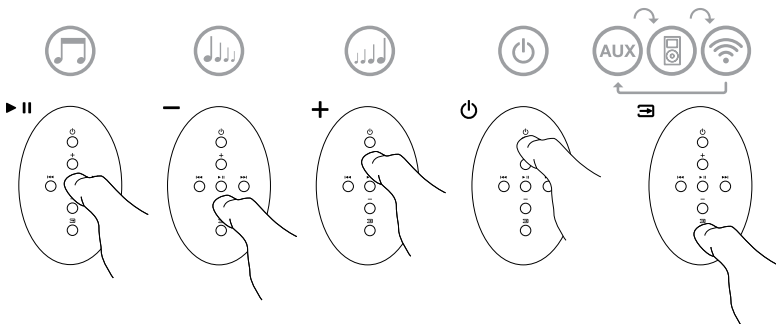


Diagram 4
Z2 remote control explained

3.2 Z2 Functions

Diagram 5 illustrates Z2's connectivity.

With the Z2 switched on from Standby or Sleep:

- You can listen to your iPod or iPhone audio.
- You can connect to a wired or wireless network and stream audio via AirPlay.
- You can listen to other analogue audio sources via the Z2 AUX input.
- You can use the remote control Volume keys or the Z2 Volume buttons to control volume.
- If an iPod or iPhone is docked, or Z2 is connected to iTunes via AirPlay, you can use the remote control Play/Pause key to play or pause audio, or the Next and Previous keys to select the next or previous track.
- You can use the remote control Input key or the Z2 Standby button sequentially to select connected inputs.

3.3 Z2 Automatic Input Switching

In some circumstances the Z2 will automatically switch to its AirPlay input or switch on from Sleep mode:

- If iTunes streamed audio is present on the AirPlay input when the dock input is selected and a docked iPod or iPhone stops playing, the AirPlay input will automatically be selected.
- If iTunes streamed audio is present on the AirPlay input when the AUX input is selected but no audio playing, the AirPlay input will automatically be selected.
- If iTunes streamed audio is present on the AirPlay input when Z2 is in Sleep mode, it will automatically switch on and play the streamed audio.
- When Z2 is in Sleep mode for more than one minute and an audio signal is detected through the AUX input, it will automatically switch on and play the AUX input audio.

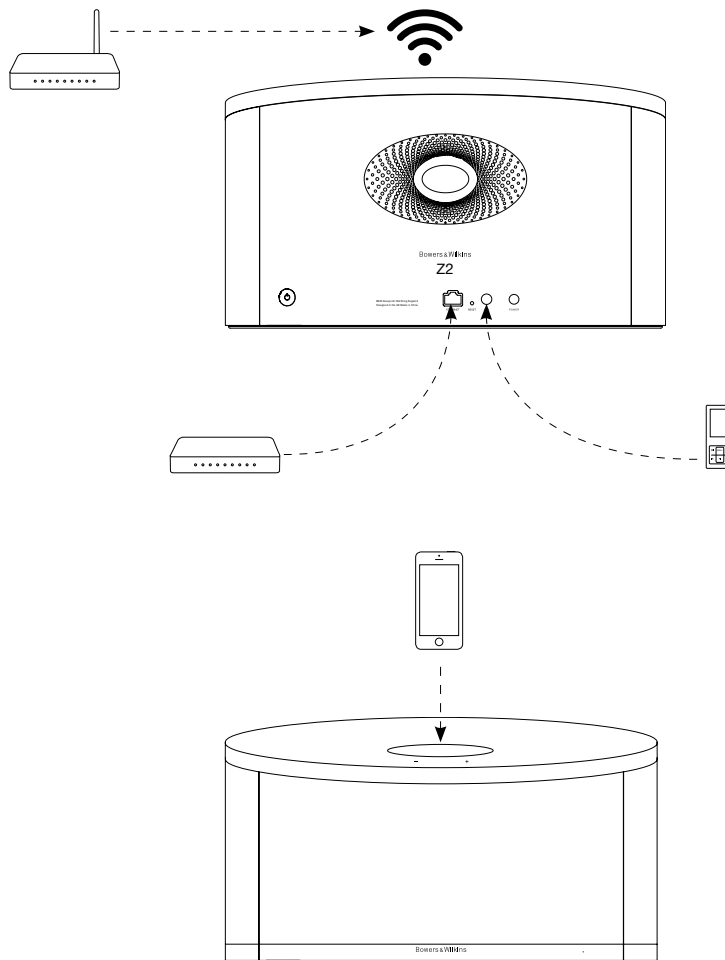


Diagram 5
Z2 connectivity

4. The Z2 Indicator

The Z2 indicator illuminates in a range of colours to indicate different operational conditions. Table 1 describes the colours and their meanings.

5. Joining Wireless Networks and configuring iTunes

In order to play your iTunes music on your Z2 using AirPlay, your Z2 must join the same network as the computer on which iTunes is installed and running. Z2 network addressing is set to DHCP which means that once it has joined the wireless network it will not require any further configuration. You will need to know your home wireless network name and password before you start.

5.1 Set up your Z2 with your iOS device (iPod touch, iPad or iPhone)

- Get 'Bowers & Wilkins Control' App from the App Store or by visiting www.bowers-wilkins.com/control
- Follow the onscreen instructions.

5.2 Set up with Mac or PC

- Get 'Bowers & Wilkins Control' App from the App Store or by visiting www.bowers-wilkins.com/control

5.3 Setting up Z2 using a wired connection

To set up Z2 to join your wireless network you should first connect it physically to the Mac/PC using an Ethernet cable. You will need to ensure that your Mac/PC wireless capabilities are disabled. Once connected you can browse to the Z2 setup page. Follow the steps described below.

Note: Z2 can also use a wired network for AirPlay streaming.

- Unplug every cable from the Z2 and undock any docked iPod or iPhone.
- Using an Ethernet cable connect the Z2 rear panel ETHERNET socket to an Ethernet socket on the computer.
- Connect the power cable. Z2 will switch on with the indicator pulsing red.
- Once the Z2 indicator begins to flash yellow. Press and hold the '+' volume button on Z2 for 4 seconds. Z2's indicator will show solid purple once the wired network connection is established.
- Using an internet browser application running on the computer connected to the Z2 type the Z2 default network address (<http://169.254.1.1>) in the browser address field and press "return". This will open the Z2 setup page.
- The setup page provides the option to change the Z2 name. Changing the name is useful if more than one Z2 is to be connected to the network. Enter a new name (Z2 Kitchen for example) in the Name box.

- Select your home network Name from the drop down list and enter the Password in the appropriate box. Take care to type the password correctly.
- When you are finished, click on the Apply button, then close the Z2 setup page. Disconnect the Ethernet cable.
- The Z2 indicator will change to steady purple when the wireless network connection is established. This will take up to 3 minutes.

Note: If Z2 fails to connect to your home wireless network, the most likely fault is an incorrectly entered network password. Follow the reset instructions in Section 7 and begin the network setup procedure again.

5.4 Configuring iTunes

With Z2 connected to your home network (wired or wireless) you can configure iTunes to use it as an output device. Select Z2 as an output option in the pop-up AirPlay menu. iTunes will now play through the Z2.

Multiple Z2 units can be connected to the wireless network and used to provide audio in separate rooms. Each will be available in the iTunes devices menu, identified by either the names specified in the setup page, or by default the last three digits of their serial numbers.

Indicator Colour	Meaning	Input Selected
Off	Standby	N/A
Dim Red	Sleep	N/A
Pulsing Red	Powering up	N/A
Flash Red twice	Reset started	N/A
Blue	On	Dock
Fast flashing Blue	Volume adjustment	Dock
Orange	On	Aux
Fast flashing Orange	Volume adjustment	Aux
Purple	On	AirPlay
Fast flashing purple	Volume adjustment	AirPlay
Slow flashing purple	No network connected	AirPlay
Fast flashing Red	Invalid operation	Any
Slow flashing Yellow	Wireless setup mode	N/A
White	Firmware update	N/A
Flashing white	Firmware error	N/A

Table 1
Indicator colour and meaning

6. Z2 Firmware Update

Updated Z2 firmware may from time to time be made available for download from Z2's support section of the Bowers & Wilkins website.

7. Z2 Factory Reset

Z2 has a pin-hole reset button located on its rear connection panel. The reset button is illustrated in Diagram 6. To return the Z2 network settings (AirPlay input) to the factory defaults, ensure the power cable is connected, and power the Z2 on. Press and hold the reset button for 2 seconds. The indicator will flash red twice.

8. Cleaning Z2

Use a lint-free cloth to clean the Z2. If you wish to use a cleaning agent, apply it onto the cleaning cloth, not directly onto the Z2. Test a small area first, as some cleaning products may damage some of the surfaces. Avoid products that are abrasive, or contain acid, alkali or anti-bacterial agents.

9. Troubleshooting

If you need help troubleshooting a specific problem, or have a question you'd like answered, please consult our Troubleshooting guide, or Frequently Asked Questions section on the Z2 Product Support page of our website.

www.bowers-wilkins.com

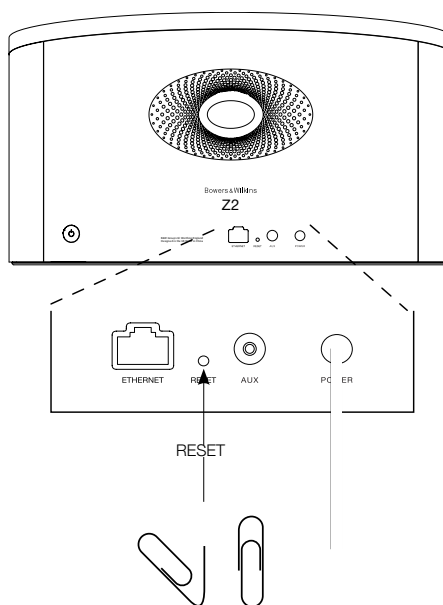


Diagram 6
Z2 factory reset

Technical Specifications

Model	Z2
Description	Wireless Music System
Technical features	<p>Apple® AirPlay® technology</p> <p>Lightning™ connector</p> <p>Digital Signal Processing (DSP)</p> <p>High Quality Class-D amplifier</p> <p>Switch mode power supply</p> <p>Flowport™</p> <p>Remote control</p>
Drive units	2x 87.5mm (3.5 in) full range
Frequency response	50Hz – 20kHz ±3dB on reference axis
Frequency range	-6dB at 42Hz and 22kHz
Amplifier power output	2x 20W
Input voltage	100V - 240V ~ 50/60Hz
Rated power consumption	36W
Standby power consumption	<0.5W
Operating temperature	This product is only designed to work at an ambient temperature of up to 45°C
Inputs	<p>Lightning™ connector</p> <p>Network (RJ45 Ethernet or Wi-Fi)</p> <p>Auxiliary - analogue (3.5mm mini jack)</p>
Height	180mm
Width	320mm
Depth	100mm
Net weight	2.6kg
Enclosure	Glass filled ABS
Grilles	Metal
Apple compatibility	<p>The Lightning connector works with iPhone 5, iPod touch (5th generation) and iPod nano (7th generation).</p> <p>AirPlay works with iPhone, iPod touch and iPad with iOS 4.3.3 or later, Mac with OS X Mountain Lion, or Mac and PC with iTunes 10.2.2 or later.</p>

Bienvenue chez Bowers & Wilkins et au Z2

Merci d'avoir choisi Bowers & Wilkins. Lorsque John Bowers a créé notre société, il l'a fait avec la conviction qu'une conception imaginative, une ingénierie de pointe et des technologies novatrices étaient les clés qui débloqueraient les plaisirs de l'audio à domicile. Cette vision reste toujours celle que nous partageons et qui inspire tous les produits que nous concevons aujourd'hui.

Le Z2 est bien plus qu'un simple dock iPod® et un système d'enceinte audio. En plus de pouvoir écouter les morceaux stockés sur votre iPod ou iPhone®, vous pourrez l'utiliser pour :

- Lire des fichiers audio directement à partir d'iTunes® via une connexion réseau filaire ou sans fil.
- Connecter et écouter une source audio externe, issue d'un téléviseur ou d'un lecteur de musique portable non USB.

Ce manuel décrit tout ce que vous devez savoir pour utiliser au mieux votre Z2. Il commence par énumérer le contenu du carton du Z2.



1. Contenu du carton du Z2

1. Z2
2. Câble d'alimentation
3. Télécommande
4. Ensemble de documents

Information sur l'environnement

Ce produit est conforme avec les directives internationales, y compris mais non limité à la restriction des substances dangereuses (RoHS) dans les équipements électriques et équipements électroniques, l'enregistrement, l'évaluation, l'autorisation et la restriction des substances chimiques (REACH) et l'élimination des déchets électriques et électroniques (WEEE). Consultez votre centre local d'élimination des déchets pour des conseils appropriés sur la manière de recycler ou d'éliminer ce produit.

Le connecteur Lightning fonctionne avec l'iPhone 5, l'iPod touch (5^{ème} génération) et l'iPod nano (7^{ème} génération).

AirPlay fonctionne avec l'iPhone, l'iPod touch et l'iPad avec iOS 4.3.3 ou supérieur, un Mac avec OS X Mountain Lion, un Mac ou un PC avec iTunes 10.2.2 ou supérieur.



2. Connecter votre Z2

Vous pouvez connecter votre Z2 de trois différentes façons :

- Utiliser AirPlay®
- Utiliser le connecteur Lightning™
- Utiliser l'entrée Auxiliaire

Le schéma 1 illustre les prises et connexions du panneau arrière du Z2.

Connexion AirPlay

Le Z2 est capable de lire des fichiers audio en provenance d'iTunes, sans fil ou via une connexion filaire (Ethernet) avec la technologie de diffusion continue (streaming) AirPlay. Lorsqu'il est connecté au même réseau qu'un ordinateur sur lequel s'exécute iTunes, le Z2 peut apparaître comme un périphérique de sortie dans le menu AirPlay. Reportez vous à la section 5, pour savoir comment configurer le Z2 pour qu'il puisse se connecter à votre réseau domestique, et sur la manière de configurer iTunes pour qu'il puisse lire et envoyer des morceaux au Z2.

Remarque : Vous devez utiliser iTunes Version 10.1 ou supérieure.

Remarque : Un câble Ethernet standard est nécessaire si vous souhaitez connecter votre Z2 à un réseau Ethernet.

Tout comme le « streaming » (diffusion en continu) audio à partir d'iTunes, AirPlay permet aussi la lecture de fichiers audio directement sur le Z2 à partir d'un iPod, iPhone ou iPad®. Tous les iPod, iPhone ou iPad intégrant un contrôle de volume, disposent d'une icône supplémentaire leur permettant de sélectionner des enceintes distantes pour la lecture audio. Tout périphérique AirPlay se trouvant à portée du réseau sans fil pourra alors être intégré dans la liste de sélection pour la lecture.

Connecteur Lightning

Le connecteur « dock » Lightning du Z2 est compatible avec l'iPhone 5, l'iPod touch (5^{ème} génération) et l'iPod nano (7^{ème} génération). Les anciens modèles d'iPod ou d'iPhone, ainsi que les autres lecteurs de musique portables, pourront être utilisés en connectant leur sortie casque à l'entrée AUX située sur le panneau arrière du Z2. Les iPhone et iPod sont rechargés en permanence quand ils sont sur le « dock », et tant que le Z2 est sous tension, en mode veille ou en mode sommeil.

Entrée Auxiliaire

Si vous souhaitez écouter une source audio externe, analogique ou numérique, connectez-la à l'entrée AUX du Z2 en utilisant soit un câble analogique doté d'une prise mini-jack, soit un câble numérique doté d'une mini-fiche optique Toslink. Le Z2 identifiera automatiquement le type de câble utilisé et configurera la prise AUX In de façon appropriée.

Prise secteur

Connectez le Z2 à une prise de courant secteur en utilisant le câble d'alimentation fourni. Lors qu'il est branché pour la première fois sur le secteur, le Z2 passe automatiquement en mode Veille (Standby) et la diode qui indique le mode de fonctionnement s'allume en rouge clignotant.

Remarque : Le tableau du paragraphe 4 décrit les différentes couleurs que peuvent prendre la diode indicatrice de fonctionnement du Z2, et leurs significations.

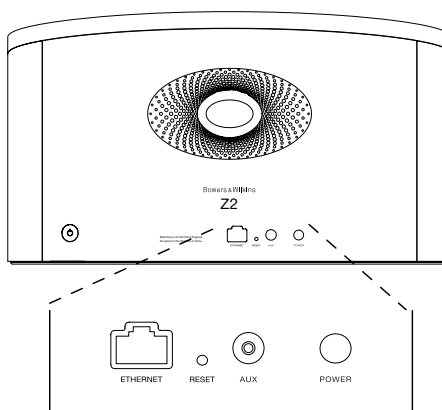


Schéma 1
Panneau arrière du Z2

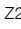
3. Utilisation du Z2

Le Z2 peut être piloté soit à partir des boutons de commandes en face avant, comme illustré sur le schéma 2, ou avec sa télécommande. Si vous utilisez la télécommande, vous devez tout d'abord retirer l'isolant de la batterie. Cette opération est illustrée sur le schéma 3. Le schéma 4 décrit le fonctionnement des boutons de la télécommande.

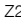
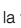
3.1 Mise sous et hors tension

En plus du mode de fonctionnement normal (marche), le Z2 dispose d'un mode de « Veille » (Standby) et d'un mode de « Sommeil » (Sleep). En mode Veille, toutes les fonctions du Z2 sont à l'arrêt et sa consommation d'énergie est réduite au minimum. En mode Sommeil, les fonctions sans fil du Z2 demeurent actives, et l'appareil reste connecté au réseau. L'indicateur de fonctionnement du Z2 s'allume en rouge sombre en mode Sommeil, et s'éteint en mode Veille.

Le Z2 peut être commuté du mode Veille par les actions suivantes :

- En appuyant sur le bouton Veille  du Z2.
- En connectant au dock un iPod ou un iPhone.

Le Z2 peut être commuté du mode Sommeil par les actions suivantes :

- En appuyant sur le bouton Veille  du Z2.
- En appuyant sur la touche Veille  de la télécommande.
- En connectant au dock un iPod ou un iPhone.
- En lui envoyant de la musique sans fil via AirPlay.
- En écoutant de la musique via la prise AUX

Lorsque le Z2 est mis en marche depuis le mode Veille ou le mode Sommeil, la dernière entrée qui a été utilisée sera alors automatiquement sélectionnée si elle est toujours connectée. Si la dernière entrée utilisée n'est plus connectée, le Z2 va balayer automatiquement toutes ses entrées Dock, AirPlay, USB, (AUX)illaire et il va sélectionner la première entrée connectée. L'indicateur de fonctionnement du Z2 va changer de couleur pour désigner l'entrée sélectionnée. Si aucune entrée connectée n'a été détectée, le Z2 va sélectionner par défaut l'entrée AirPlay. Si l'entrée AirPlay n'a pas encore été configurée, le Z2 va passer automatiquement en mode Sommeil (Sleep).

Remarque : Au premier allumage, et tant que l'entrée AirPlay n'a pas été configurée, la diode indicatrice de fonctionnement va clignoter en jaune.

Remarque : Le tableau du paragraphe 4 décrit les différentes couleurs que peuvent prendre la diode indicatrice de fonctionnement du Z2, et leurs significations.

Pour passer le Z2 en mode Sommeil, appuyez sur le bouton « Standby » de la télécommande ou maintenez appuyé le bouton « Standby » du Z2 pendant au moins deux secondes. L'indicateur lumineux du Z2 passe en rouge sombre.

Pour passer Z2 en mode Veille, appuyez et maintenez le bouton « Standby » du Z2 pendant au moins 4 secondes. L'indicateur lumineux du Z2 s'éteint complètement.

Remarque : Il n'est pas possible de passer le Z2 en mode Veille à partir de la télécommande.

Remarque : Le Z2 passe automatiquement en mode Sommeil au bout de 30 minutes d'inactivité.

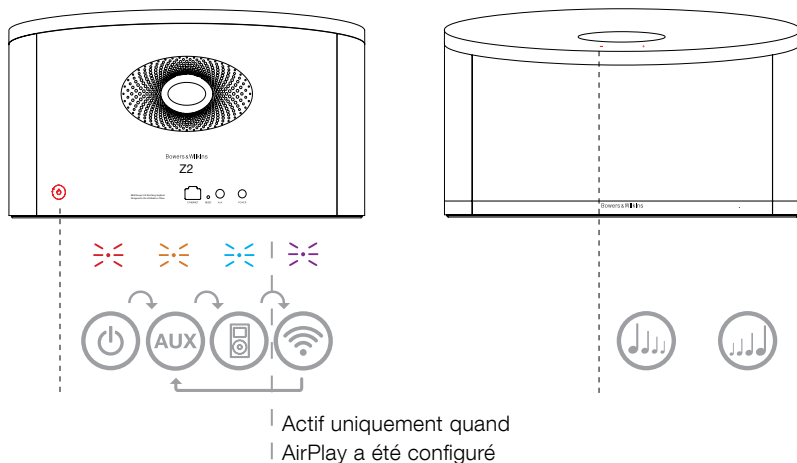


Schéma 2
Description des différentes commandes du Z2

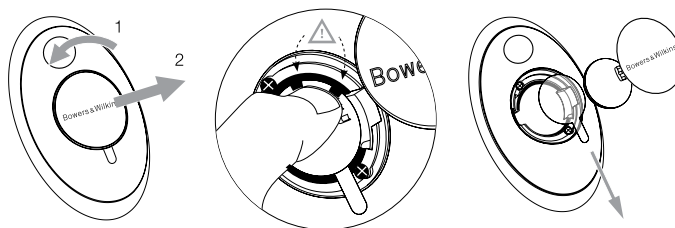


Schéma 3
Retrait de l'isolant de la batterie de la télécommande du Z2

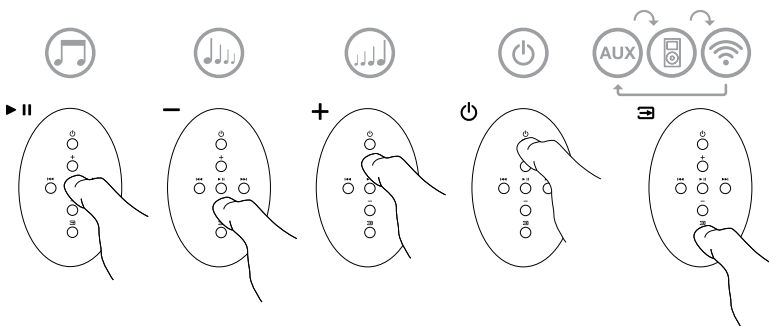


Schéma 4
Description des commandes accessibles avec la télécommande

3.2 Fonctions du Z2

Le schéma 5 illustre le fonctionnement du Z2 avec ses différentes sources audio connectées.

Quand le Z2 est mis en marche depuis le mode Veille ou le mode Sommeil :

- Vous pouvez écouter le contenu audio de votre iPod ou de votre iPhone
- Vous pouvez vous connecter à un réseau filaire ou sans fil et écouter le contenu de votre bibliothèque iTunes grâce à AirPlay.
- Vous pouvez écouter d'autres sources audio numériques ou analogiques via l'entrée (AUX)iliare du Z2.
- Vous pouvez utiliser les touches de Volume de la télécommande, ou les boutons de Volume du Z2 pour ajuster le niveau sonore.
- Si un iPod ou un iPhone est connecté sur le dock, ou si le Z2 est relié à iTunes via AirPlay, vous pouvez utiliser les touches Lecture/Pause (Play/Pause) de la télécommande, ainsi que les touches « Suivante (Next) » et « Précédente (Previous) » pour sélectionner le morceau suivant ou précédent.
- Vous pouvez utiliser la touche Input de la télécommande ou le bouton Standby du Z2 pour sélectionner séquentiellement les différentes entrées.

3.3 Changement d'entrée automatique du Z2

Dans certains cas, le Z2 peut passer automatiquement sur l'entrée AirPlay, ou se mettre en marche depuis le mode Sommeil :

- Si un programme audio provenant d'iTunes est présent sur AirPlay alors que l'entrée « dock » est sélectionnée. Dans ce cas, dès que l'iPod ou l'iPhone se trouvant sur le dock sera mis sur « stop », l'entrée AirPlay sera automatiquement sélectionnée.
- Si un programme audio provenant d'iTunes est présent sur AirPlay, que l'entrée (AUX)iliare est sélectionnée mais qu'il n'y a aucun signal audio sur l'une ou l'autre de ces entrées. Alors, l'entrée AirPlay sera automatiquement sélectionnée.
- Si un programme audio provenant d'iTunes est présent sur AirPlay alors que le Z2 est en mode Veille, alors celui-ci se mettra en marche automatiquement et diffusera ce programme audio.
- Quand le Z2 a été en mode Sommeil depuis plus d'une minute, et qu'un signal audio est détecté au niveau de son entrée AUX, alors le Z2 va automatiquement se mettre en marche et lire le contenu audio arrivant sur son entrée AUX.

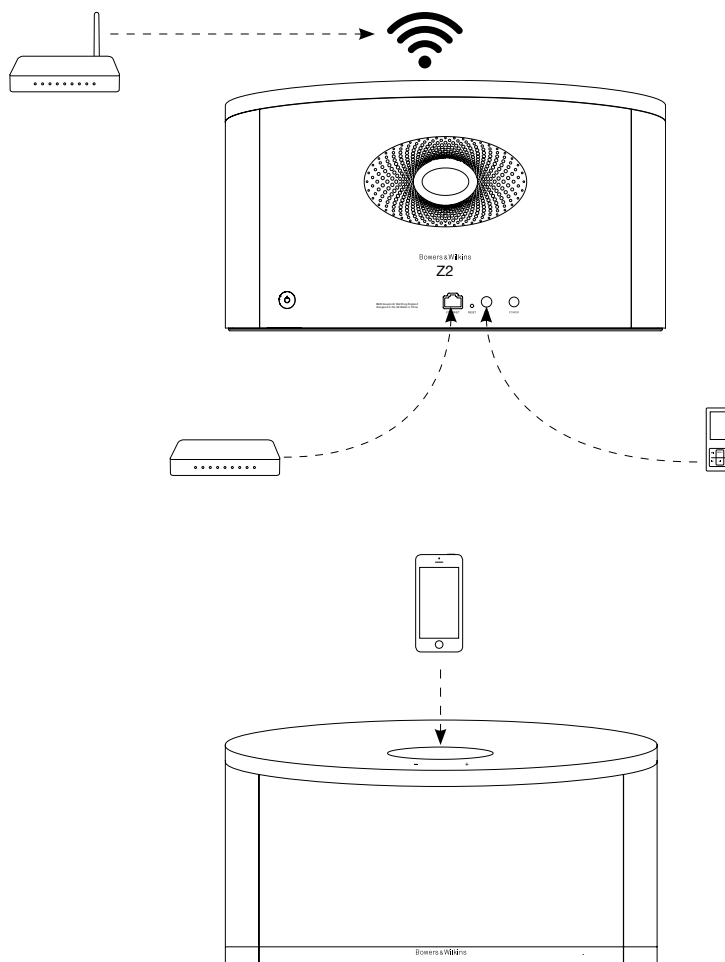


Schéma 5
Connexions du Z2

4. Diode indicatrice lumineuse du Z2

L'indicateur lumineux du Z2 s'allume selon un code de couleurs précis, différentes selon les modes et conditions de fonctionnement. Le tableau 1 énumère la liste des couleurs et leurs significations.

5. Connexion à un réseau sans fil et configuration d'iTunes

Afin de pouvoir écouter les morceaux musicaux issus de votre bibliothèque iTunes sur votre Z2 en utilisant AirPlay®, votre Z2 doit pouvoir rejoindre le même réseau sans fil que l'ordinateur sur lequel iTunes est installé et en fonctionnement. Le système d'adressage du Z2 est de type DHCP, ce qui signifie qu'une fois qu'il a rejoint le réseau sans fil, il ne nécessitera pas de configuration supplémentaire (attribution automatique de l'adresse IP). Vous aurez par contre besoin de connaître le nom de votre réseau sans fil (SSID) et le mot de passe de connexion avant de commencer.

5.1 Configuration de votre Z2 au moyen de votre appareil iOS (iPod Touch, iPad, iPhone)

- Téléchargez l'application "Bowers et Wilkins Control" depuis l'App Store, ou en vous connectant à www.bowers-wilkins.com/control
- Suivez les instructions qui s'affichent sur l'écran

5.2 Configuration avec un Mac ou PC

- Téléchargez l'application "Bowers et Wilkins Control" depuis l'App Store, ou en vous connectant à www.bowers-wilkins.com/control
- Suivez les instructions qui s'affichent sur l'écran

5.3 Mise en route du Z2 en utilisant une connexion filaire

Pour permettre au Z2 de se connecter à votre réseau sans fil, vous devrez tout d'abord le relier physiquement à votre Mac / PC en vous servant d'un câble Ethernet. Assurez-vous que les fonctions sans fil de votre Mac/Pc sont coupées. Une fois qu'il sera connecté, vous pourrez accéder à la page de configuration du Z2. Suivez les étapes décrites ci-dessous.

Remarque : Le Z2 peut aussi utiliser une connexion filaire pour le streaming avec AirPlay.

- Débranchez tous les câbles reliés au Z2 et retirez l'iPod ou l'iPhone qui se trouverait éventuellement sur le dock.
- En utilisant un câble Ethernet, reliez la prise ETHERNET à l'arrière du Z2 à la prise ETHERNET de l'ordinateur.
- Branchez le câble d'alimentation. Le Z2 passe en marche et le voyant lumineux s'allume en rouge clignotant.
- Dès que l'indicateur lumineux passe en jaune clignotant, maintenez le doigt appuyé sur la touche de volume « + » pendant 4 secondes. L'indicateur lumineux va passer en violet continu dès que la connexion filaire sera établie.
- En utilisant un navigateur Internet sur l'ordinateur connecté au Z2, tapez l'adresse IP du Z2 par défaut (<http://169.254.1.1>) dans le champ d'adresse du navigateur et appuyez sur "retour". Cette opération ouvrira la page de configuration du Z2.
- La page de configuration vous offre la possibilité de changer le nom de votre Z2. Renommer votre Z2 peut s'avérer utile si plusieurs Z2 sont connectés au même réseau. Saisissez un nouveau nom (Z2 Cuisine par exemple) dans la boîte de saisie du nom du Z2, cliquez sur Appliquer (Apply).

- Sélectionnez le nom de votre réseau sans fil (SSID) dans la liste déroulante et saisissez le mot de passe dans le case appropriée. Prenez soin de taper le mot de passe correctement.
- Lorsque vous avez terminé, cliquez sur le bouton Appliquer (Apply), puis fermez la page de configuration du Z2. Débranchez le câble Ethernet.
- L'indicateur lumineux du Z2 va alors changer pour passer en violet continu lorsque la connexion réseau sans fil sera établie. Cette opération peut prendre jusqu'à 3 minutes.

Remarque : Si le Z2 ne parvient pas à se connecter à votre réseau sans fil, c'est probablement parce que le mot de passe réseau qui a été saisi est incorrect. Suivez la procédure de réinitialisation du paragraphe 7 et recommencez la configuration réseau.

5.4 Configuration d'iTunes

Lorsque le Z2 est connecté à votre réseau personnel (filaire ou sans fil), vous pouvez configurer iTunes pour l'utiliser comme périphérique de sortie. Sélectionnez "Z2" comme périphérique de sortie dans le menu AirPlay. Lorsque vous lancerez la lecture d'un morceau dans iTunes, vous pourrez alors l'écouter via le Z2.

Plusieurs Z2 peuvent ainsi être reliés au même réseau sans fil et de ce fait diffuser un programme audio dans des pièces différentes. Chacun d'entre eux apparaîtra dans la liste des périphériques iTunes, identifiés par le nom qui leur a été attribué lors de la configuration, ou, par défaut, par les trois derniers chiffres de leur numéro de série.

Code de couleur	Signification	Entrée sélectionnée
Off	Veille	N/A
Rouge sombre	Sommeil	N/A
Rouge clignotant	Mise sous tension	N/A
Rouge clignotant deux fois	Réinitialisation en cours	N/A
Bleu	Marche	Dock
Bleu clignotant rapide	Ajustement du volume	Dock
Orange	Marche	Aux
Orange clignotant rapide	Ajustement du volume	Aux
Violet	Marche	AirPlay
Violet clignotant rapide	Ajustement du volume	AirPlay
Violet clignotant lent	Pas de réseau connecté	AirPlay
Rouge clignotant rapide	Opération non autorisée	Toutes
Jaune clignotant lent	Configuration sans fil	N/A
Blanc	Mise à jour firmware	N/A
Blanc clignotant	Erreur de mise à jour firmware	N/A

Tableau 1
Couleurs et significations de l'indicateur lumineux

6. Mise à jour du logiciel interne (firmware) du Z2

Une mise à jour du firmware du Z2 peut régulièrement être proposée en téléchargement au niveau de la section Support du Z2 du site web de Bowers & Wilkins.

7. Réinitialisation usine du Z2

Le Z2 peut être réinitialisé en insérant un objet pointu (comme un trombone) dans le trou de réinitialisation situé sur le panneau de connexion arrière. L'emplacement du trou de réinitialisation est illustré sur le schéma 6. Pour réinitialiser les paramètres réseau Wi-Fi (entrée AirPlay) du Z2 aux valeurs usine par défaut, assurez-vous que le câble secteur est connecté, et mettez le Z2 en marche. Enfoncez la tige d'un trombone pendant plus de deux secondes dans le trou de réinitialisation. L'indicateur lumineux clignotera en rouge à deux reprises pour indiquer que le Z2 a bien été réinitialisé.

8. Entretien du Z2

Utilisez une brosse ou la buse d'un aspirateur pour nettoyer la grille en tissu. Essayez les autres surfaces avec un chiffon propre et non pelucheux. Si vous souhaitez utiliser un produit de nettoyage, appliquez-le sur le chiffon et pas directement sur le Z2. Testez préalablement sur une petite zone, car certains produits de nettoyage peuvent endommager les surfaces. Évitez les produits abrasifs, ou contenant de l'acide, des alcalins ou des agents antibactériens.

9. Dépannage

Si vous avez besoin d'aide pour résoudre un problème spécifique, ou si avez une question à laquelle vous voudriez une réponse, veuillez-vous reporter à notre guide de dépannage, ou aux Questions Fréquemment Posées (FAQ) à la page « Support Z2 » de notre site Web : www.bowers-wilkins.com

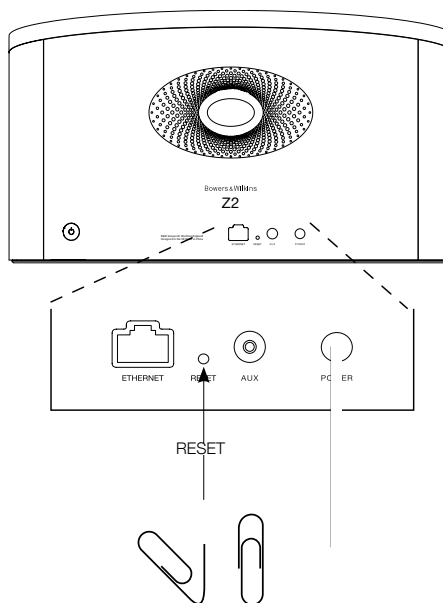


Schéma 6
Réinitialisation usine du Z2

Spécifications

Modèle	Z2
Description	Système Musical Sans Fil
Caractéristiques	Technologie Apple AirPlay® Connecteur Lightning™ Traitement numérique du Signal (DSP) Amplification numérique haute qualité Classe D Alimentation à découpage Event FlowPort Télécommande
Haut-parleurs	2x ø 87.5 mm (3.5 pouces) large bande
Réponse en fréquence	50 Hz – 20 kHz ± 3dB dans l'axe de référence
Plage de fréquence (-6dB)	42 Hz et 22kHz
Puissance de sortie des amplificateurs	2x20 W
Alimentation	100 V – 240 V ~ 50 / 60Hz
Puissance consommée en fonctionnement	36W
Puissance consommée en veille	< 0.5 W
Température de fonctionnement	Ce produit est conçu pour fonctionner uniquement à une température ambiante inférieure à 45°C
Entrées	Connecteur Lightning™ Réseau (Ethernet RJ-45 ou Wifi) Auxiliaire – analogique / optique numérique (mini-jack 3.5 mm)
Hauteur	180 mm
Largeur	325 mm
Profondeur	100 mm
Poids Net	2.6 kg
Finitions Coffret	Fibre de verre renforcée ABS
Grille	Métallique
Compatibilité Apple	Le connecteur Lightning fonctionne avec l'iPhone 5, l'iPod touch (5 ^{ème} génération) et l'iPod nano (7 ^{ème} génération). AirPlay fonctionne avec l'iPhone, l'iPod touch et l'iPad avec iOS 4.3.3 ou supérieur, un Mac avec OS X Mountain Lion, un Mac ou un PC avec iTunes 10.2.2 ou supérieur.

Willkommen bei Bowers & Wilkins und dem Z2

Der Firmengründer John Bowers war der Meinung, dass ein wunderschönes Design, eine innovative Konstruktion und ausgeklügelte Technologien die Schlüssel zu Audio-Entertainment der Extraklasse in Ihrem Zuhause sind. Wir teilen seine Meinung und jedes von uns entwickelte Produkt basiert darauf.

Das Z2 ist mehr als ein iPod®-Dock und ein Lautsprechersystem. Sie können sich die auf Ihrem iPod oder iPhone® gespeicherten Audiosignale anhören und zusätzlich:

- iTunes®-Musikdateien über eine LAN- oder eine WLAN-Netzwerkverbindung wiedergeben.
- eine externe Audioquelle, wie z. B. ein Fernsehgerät oder einen tragbaren Musik-Player (ohne USB), anschließen und sich deren Audiosignale anhören.

In dieser Bedienungsanleitung erfahren Sie, wie Sie Ihr Z2 optimal nutzen können. Wir beginnen mit dem Inhalt des Z2-Versandkartons.



1. Inhalt des Z2-Versandkartons

1. Z2
2. Netzkabel
3. Fernbedienung
4. Unterlagen

Umweltinformation

Dieses Produkt entspricht den internationalen Richtlinien über die Beschränkung der Verwendung bestimmter gefährlicher Stoffe in Elektro- und Elektronikgeräten (**R**estriction of **H**azardous **S**ubstances (RoHS)), die Registrierung, Bewertung, Zulassung und Beschränkung chemischer Stoffe (**R**egistration, **E**valuation, **A**uthorisation and restriction of **C**hemicals (REACH)) und über Elektro- und Elektronik-Altgeräte (**W**aste **E**lectrical and **E**lectronic **E**quipment (WEEE)). Erkundigen Sie sich bei der örtlichen Abfallentsorgung, wie dieses Produkt ordnungsgemäß recycelt oder entsorgt werden kann.

Der Lightning-Connector ist kompatibel mit dem iPhone 5, dem iPod touch (5. Generation) und dem iPod nano (7. Generation).

AirPlay ist kompatibel mit dem iPhone, dem iPod touch und dem iPad mit iOS 4.3.3 oder höher, einem Mac mit OS X Mountain Lion bzw. einem Mac/PC mit iTunes 10.2.2 oder höher.



2. Anschlussmöglichkeiten des Z2

Beim Z2 können Sie:

- AirPlay® nutzen.
- den Lightning™-Connector einsetzen.
- den Auxiliary (AUX)-Eingang nutzen.

In Abbildung 1 sind die Anschlussbuchsen an der Rückseite des Z2 dargestellt.

AirPlay-Verbindung

Dank Apples AirPlay-Technologie kann das Z2 sowohl wireless als auch über den Ethernet-Anschluss iTunes-Musikdateien abspielen. Ist das Z2 an dasselbe Netzwerk angeschlossen wie ein Computer, auf dem die iTunes-Bibliothek gespeichert ist, so kann es im AirPlay-Popup-Menü als Wiedergabegerät erscheinen. In Kapitel 5 finden Sie Informationen zur Konfiguration Ihres Z2 für die Verbindung mit Ihrem Heimnetzwerk und zur Konfiguration von iTunes, um diese Anwendung über das Z2 abspielen zu können.

Hinweis: Stellen Sie sicher, dass die aktuellste iTunes-Version installiert worden ist.

Hinweis: Für den Anschluss Ihres Z2 an ein Ethernet-Netzwerk ist ein Standard-Ethernet-Kabel erforderlich.

Sie können Ihre Musik auch direkt vom iPod, iPhone bzw. iPad® zum Z2 streamen. Jede iPod-, iPhone- oder iPad-Anwendung mit Lautstärkefunktion besitzt ein zusätzliches Icon, das die Auswahl externer Lautsprecher für die Wiedergabe ermöglicht. Jedes AirPlay-Gerät innerhalb der Wireless-Serie ist in der Liste enthalten.

Lightning-Connector

Das Z2 ist kompatibel mit dem iPhone 5, dem iPod touch (5. Generation) und dem iPod nano (7. Generation). Ältere iPod- oder iPhone-Modelle bzw. andere Musik-Player können über ihre Kopfhörer-Buchsen mit dem AUX-Eingang an der Rückseite des Z2 verbunden werden. Die iPhone- und iPod-Modelle werden jedes Mal geladen, sobald sie angedockt sind und das Z2 eingeschaltet ist bzw. sich im Standby- oder Sleep-Modus befindet.

AUX-Eingang

Möchten Sie sich eine externe analoge Audioquelle anhören, so schließen Sie diese über ein analoges Kabel mit Ministecker an den AUX-Eingang des Z2 an.

Netzeingang (POWER)

Verbinden Sie den Z2 über das beiliegende Netzkabel mit der Netzsteckdose. Schließen Sie das A7 zum ersten Mal an das Netz an, so schaltet es sich automatisch ein und die LED blinkt rot.

Hinweis: In der Tabelle in Kapitel 4 werden die LED-Farben des Z2 und deren Bedeutung erläutert.

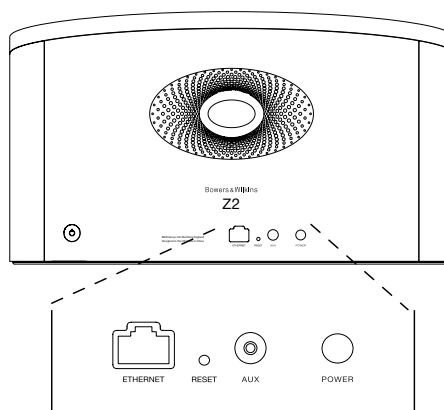


Abbildung 1
Rückansicht des Z2


3. Betrieb des Z2

Das Z2 kann entweder über die Bedienelemente am Z2 (siehe Abbildung 2) oder über die Fernbedienung gesteuert werden. Möchten Sie die Fernbedienung benutzen, so müssen Sie vor der ersten Inbetriebnahme das Isolierstück für die Batterie entfernen (siehe Abbildung 4) werden die Tasten der Fernbedienung erläutert.



3.1 Ein- und Ausschalten

Zusätzlich zum normalen Betriebsmodus verfügt das Z2 über die Modi Standby und Sleep. Im Standby-Modus sind alle Funktionen des Z2 deaktiviert und der Stromverbrauch ist auf ein Minimum reduziert. Im Sleep-Modus bleibt das Z2 wireless mit dem Netzwerk verbunden und die LED leuchtet dunkelrot. Im Standby-Modus erlischt die LED.

Befindet sich das Z2 im Standby-Modus, so kann es folgendermaßen eingeschaltet werden:

- Durch Drücken der Standby-Taste  am Z2.
- Durch Andocken eines iPods bzw. iPhones.

Befindet sich das Z2 im Sleep-Modus, so kann es folgendermaßen eingeschaltet werden:

- Durch Drücken der Standby-Taste  am Z2.
- Durch Drücken der Standby-Taste  auf der Fernbedienung.
- Durch Andocken eines iPods bzw. iPhones.
- Durch Audio Streaming zum Z2 über AirPlay.
- Durch Musikwiedergabe über den AUX-Eingang.

Wird das Z2 vom Standby- bzw. Sleep-Modus in den Betriebsmodus geschaltet, wird der zuletzt verwendete Eingang ausgewählt, sofern dieser noch angeschlossen ist. Ist er es nicht mehr, so durchsucht das Z2 automatisch seine Eingänge (AUX, Dock, AirPlay) und wählt den ersten angeschlossenen aus, den es findet. Die LED des Z2 wechselt ihre Farbe entsprechend dem ausgewählten Eingang. Wird kein angeschlossener Eingang gefunden, so wird standardmäßig der AirPlay-Eingang ausgewählt.

Hinweis: Beim ersten Einschalten blinkt die LED gelb, wenn das AirPlay-Setup noch nicht durchgeführt wurde.

Hinweis: In der Tabelle in Kapitel 4 werden die LED-Farben des Z2 und deren Bedeutung erläutert.

Um das Z2 in den Sleep-Modus zu schalten, drücken Sie die Standby-Taste auf der Fernbedienung oder halten die Standby-Taste am Z2 zwei Sekunden gedrückt. Die Z2-LED leuchtet dunkelrot.

Um das Z2 in den Standby-Modus zu schalten, halten Sie die Standby-Taste am Z2 vier Sekunden gedrückt. Die Z2-LED erlischt.

Hinweis: Es ist nicht möglich, das Z2 über die Fernbedienung in den Standby-Modus zu schalten.

Hinweis: Nach mehr als 30 Minuten der Inaktivität schaltet das Z2 automatisch in den Sleep-Modus.

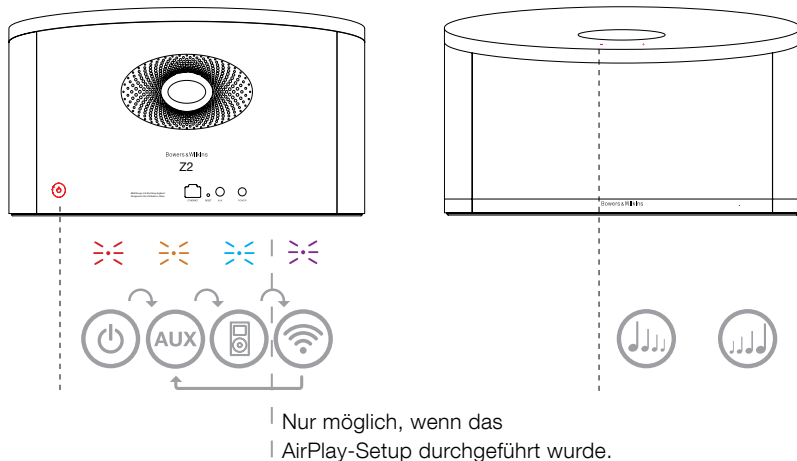


Abbildung 2
Erläuterung der Bedienelemente des Z2

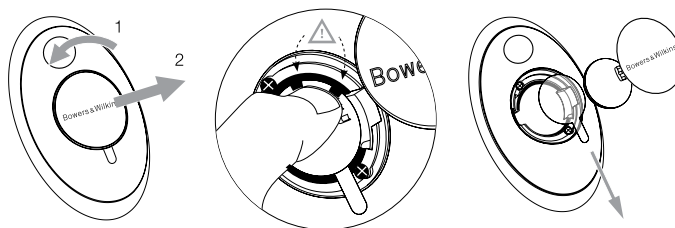


Abbildung 3
Entfernen des Isolierstücks

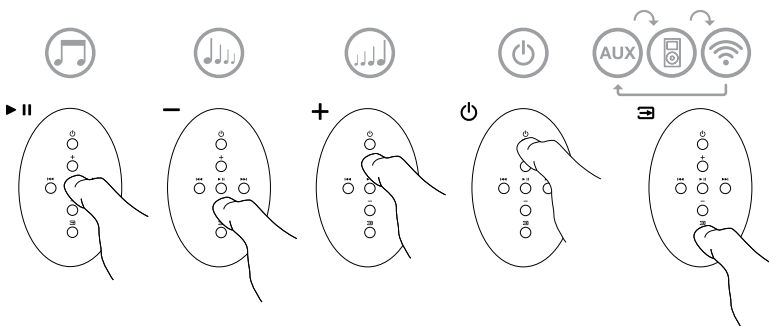


Abbildung 4
Erläuterung der Z2-Fernbedienungstasten

3.2 Die Funktionen des Z2

In Abbildung 5 ist dargestellt, welche Geräte an das Z2 angeschlossen werden können.

Wird das Z2 vom Standby- bzw. Sleep-Modus in den Betriebsmodus gesetzt, können Sie

- sich die auf Ihrem iPod bzw. iPhone gespeicherte Musik anhören.
- ein LAN- oder WLAN-Netzwerk anschließen und über AirPlay Audiodaten streamen.
- sich über den AUX-Eingang des Z2 andere analoge Audioquellen anhören.
- die Lautstärketasten auf der Fernbedienung oder am Z2 nutzen, um die Lautstärke einzustellen.
- bei angedocktem iPod bzw. iPhone oder wenn das Z2 über AirPlay mit iTunes verbunden ist, die Play-/Pause-Taste auf der Fernbedienung nutzen, um die Wiedergabe oder den Pause-Modus zu aktivieren sowie die rechte und linke Track-Taste, um den nächsten bzw. den vorherigen Titel auszuwählen.
- die Input-Taste auf der Fernbedienung bzw. die Standby-Taste am Z2 nutzen, um nacheinander die angeschlossenen Eingänge auszuwählen.

3.3 Automatisches Umschalten der Eingänge beim Z2

Unter gewissen Umständen schaltet das Z2 automatisch auf seinen AirPlay-Eingang bzw. vom Sleep- in den Betriebsmodus:

- Werden Audiosignale über iTunes zum AirPlay-Eingang gestreamt, wenn der Dock-Eingang ausgewählt wurde und ein angedockter iPod bzw. ein angedocktes iPhone die Wiedergabe beendet, so wird automatisch der AirPlay-Eingang ausgewählt.
- Werden Audiosignale über iTunes zum AirPlay-Eingang gestreamt, wenn der AUX-Eingang ausgewählt wurde, aber keine Audiowiedergabe erfolgt, so wird automatisch der AirPlay-Eingang ausgewählt.
- Werden Audiosignale über iTunes zum AirPlay-Eingang gestreamt, während sich das Z2 im Sleep-Modus befindet, so schaltet es sich automatisch ein und die Streaming-Inhalte werden wiedergegeben.
- Befindet sich das Z2 mehr als eine Minute im Sleep-Modus und wird am AUX-Eingang ein Signal erkannt, so schaltet es sich automatisch ein und beginnt mit der Wiedergabe des am AUX-Eingang anliegenden Audiosignals.

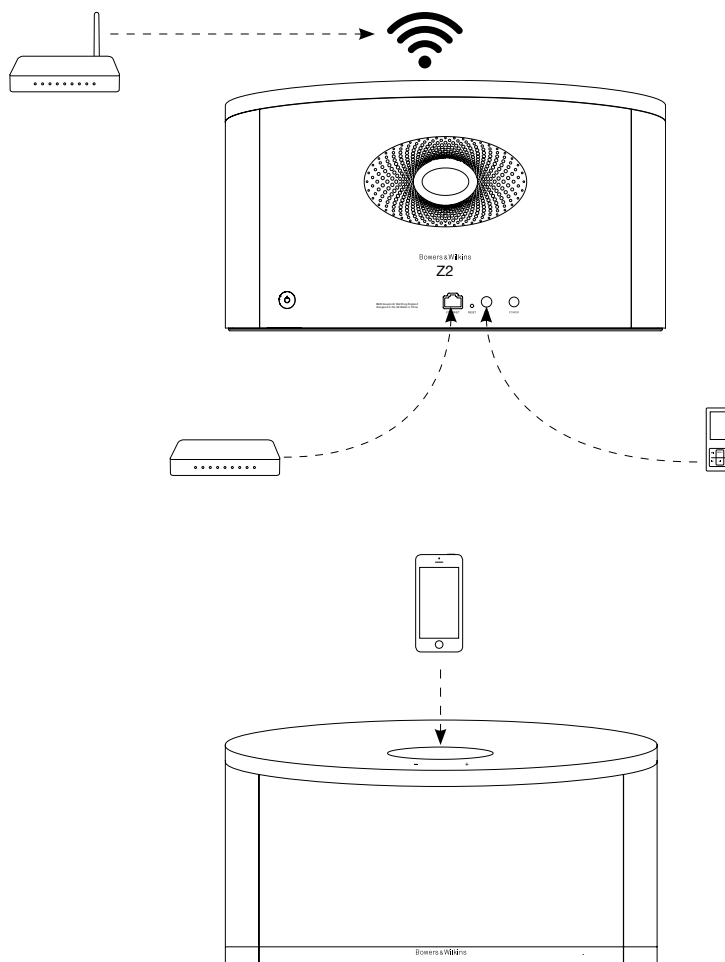


Abbildung 5
Anschlussmöglichkeiten des Z2

4. LED-Anzeige des Z2

Die LED des Z2 leuchtet in verschiedenen Farben, um unterschiedliche Betriebszustände anzuzeigen. Die Tabelle unten erläutert, welche Bedeutung die jeweilige Farbe hat.

5. Verbindung mit einem WLAN-Netzwerk und Konfigurieren von iTunes

Um Ihre iTunes-Musikdateien bei aktivierter AirPlay-Funktion über das Z2 wiedergeben zu können, muss Ihr Z2 an dasselbe Netzwerk angeschlossen sein wie der Computer, auf dem iTunes installiert ist und läuft. Beim Z2 wird die Netzwerkadresse per DHCP bezogen. Das bedeutet, dass, sobald es mit dem WLAN verbunden ist, keine weitere Konfiguration erforderlich ist. Sie benötigen den Netzwerknamen Ihres Heim-WLANs und das Passwort, bevor Sie beginnen.

5.1 Setup des Z2 mit Ihrem iOS-Gerät (iPod touch, iPad oder iPhone)

- Laden Sie sich die 'Bowers & Wilkins Control'-App aus dem App Store herunter oder besuchen Sie unsere Webseite www.bowers-wilkins.com/control
- Folgen Sie den Hinweisen auf dem Bildschirm.

5.2 Setup mit einem Mac oder PC

- Laden Sie sich die 'Bowers & Wilkins Control'-App aus dem Mac App Store herunter oder besuchen Sie unsere Webseite www.bowers-wilkins.com/control
- Folgen Sie den Hinweisen auf dem Bildschirm.

5.3 Setup des Z2 über eine drahtgebundene Verbindung

Soll das Setup des Z2 für die Verbindung zu einem WLAN-Netzwerk hergestellt werden, muss es zunächst über ein Ethernet-Kabel mit dem Mac/PC verbunden werden. Stellen Sie sicher, dass die WLAN-Funktionen Ihres Macs/PCs deaktiviert sind. Nach dem Herstellen der Verbindung können Sie die Setup-Seite des Z2 aufrufen. Gehen Sie folgendermaßen vor:

Hinweis: Das Z2 kann auch ein LAN-Netzwerk für das AirPlay-Streaming nutzen.

- Trennen Sie alle Kabel vom Z2 und nehmen Sie einen angedockten iPod bzw. ein angedocktes iPhone vom Z2.
- Verwenden Sie ein Ethernet-Kabel, um die ETHERNET-Buchse an der Rückseite des Z2 mit einer Ethernet-Buchse an Ihrem Computer zu verbinden.
- Schließen Sie das Netzkabel an. Das Z2 schaltet sich ein und die LED blinkt rot.
- Beginnt die LED gelb zu blinken, halten Sie die Lautstärketaste + am Z2 vier Sekunden gedrückt. Die LED des Z2 leuchtet lila, wenn die drahtgebundene Netzwerkverbindung hergestellt ist.
- Nutzen Sie einen Internetbrowser, der auf dem an das Z2 angeschlossenen Computer läuft, geben Sie die Standard-Netzwerkadresse des Z2 (<http://169.254.1.1>) in das Browser-Adressfeld ein und drücken „Return“. Dadurch öffnet sich die Setup-Seite des Z2.
- Die Setup-Seite bietet die Möglichkeit, den Namen des Z2 zu ändern. Diese Änderung ist sinnvoll, wenn mehr als ein Z2 an das Netzwerk angeschlossen werden soll. Geben Sie einen neuen Namen (z. B. Z2-Wohnzimmer, Z2-Küche usw.) in das Z2-Namenfeld ein.

- Wählen Sie den Namen Ihres Heimnetzwerks aus der Drop-Down-Liste und geben Sie das Passwort in das entsprechende Feld ein. Achten Sie auf die korrekte Eingabe des Passworts.
- Ist dieser Vorgang abgeschlossen, klicken Sie auf die Apply-Taste und schließen dann die Setup-Seite des Z2. Entfernen Sie das Ethernet-Kabel.
- Ist die WLAN-Verbindung hergestellt, beginnt die LED des Z2 permanent lila zu leuchten. Dieser Vorgang kann bis zu drei Minuten dauern.

Hinweis: Gelingt es nicht, die Verbindung zu Ihrem WLAN-Heimnetzwerk herzustellen, so liegt dies oftmals an der Eingabe eines falschen Passworts. Führen Sie entsprechend den Hinweisen in Kapitel 7 ein Reset durch und beginnen Sie noch einmal mit dem Setup.

5.4 Konfigurieren von iTunes

Ist das Z2 mit Ihrem Heimnetzwerk verbunden (drahtgebunden oder wireless), können Sie iTunes konfigurieren, um es für die Wiedergabe nutzen zu können. Wählen Sie das Z2 im AirPlay-Popup-Menü als Wiedergabegerät aus. Die iTunes-Mediathek kann jetzt über das Z2 wiedergegeben werden.

An Ihr WLAN können zur Audiowiedergabe in verschiedenen Räumen mehrere Z2 angeschlossen werden. Jedes von Ihnen ist im iTunes-Gerätemenü aufgelistet und kann entweder über die auf der Setup-Seite eingegebenen Namen oder standardmäßig über die letzten drei Ziffern ihrer Seriennummern identifiziert werden.

LED-Anzeige	Bedeutung	Gewählter Eingang
Aus	Standby	–
Dunkelrot	Sleep	–
Rot pulsierend	Einschalten	–
Blinkt zweimal rot	Reset beginnt	–
Blau	Ein	Dock
Blinkt schnell blau	Lautstärkeeinstellung	Dock
Orange	Ein	AUX
Blinkt schnell orange	Lautstärkeeinstellung	AUX
Lila	Ein	AirPlay
Blinkt schnell lila	Lautstärkeeinstellung	AirPlay
Blinkt langsam lila	Kein Netzwerk angeschlossen	AirPlay
Blinkt schnell rot	Ungültige Operation	Beliebig
Blinkt langsam gelb	Wireless-Setup-Modus	–
Weiß	Firmware-Update	–
Blinkt weiß	Firmware-Fehler	–

Tabelle 1
Farbe der LED und deren Bedeutung

6. Firmware-Update des Z2

Von Zeit zu Zeit kann ein Firmware-Update erforderlich sein. Die aktuelle Version für das Z2 steht unter Support auf der Bowers & Wilkins-Webseite zum Download bereit.

7. Zurücksetzen des Z2 in die Werksvoreinstellungen

An der Rückseite des Z2 befindet sich zwischen dem Ethernet- und dem AUX-Anschluss eine Reset-Taste (siehe Abbildung 6). Um die Einstellungen des Z2 (AirPlay-Eingang) in die Werksvoreinstellungen zurückzusetzen, stellen Sie sicher, dass das Netzkabel angeschlossen und das Z2 eingeschaltet ist. Halten Sie die Reset-Taste mit der Spitze einer Büroklammer oder etwas Ähnlichem zwei Sekunden lang gedrückt. Die LED blinkt zweimal rot.

8. Reinigen des Z2

Verwenden Sie zur Reinigung des Z2 ein sauberes, fusselfreies Tuch. Möchten Sie einen Reiniger benutzen, so sprühen Sie ihn auf ein Tuch, niemals direkt auf das Gehäuse. Testen Sie zuerst an einer kleinen, unauffälligen Stelle, da einige Reinigungsprodukte manche Oberflächen beschädigen können. Verwenden Sie keine scharfen bzw. säure- oder alkalihaltigen oder antibakteriellen Produkte.

9. Störungssuche und -beseitigung

Benötigen Sie Hilfe bei der Lösung eines bestimmten Problems oder haben Sie eine Frage, so finden Sie auf der Support-Seite des Z2 auf unserer Webseite www.bowers-wilkins.de Hinweise zur Fehlerbeseitigung sowie einen Bereich, in dem häufig gestellte Fragen (FAQs) beantwortet werden.

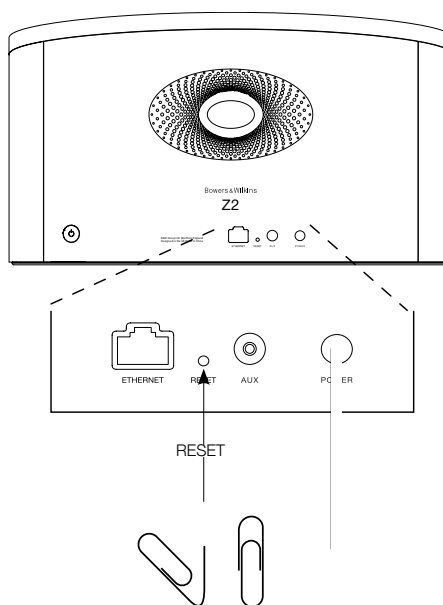


Abbildung 6
Zurücksetzen des Z2 in die Werksvoreinstellungen

Technische Daten

Modell	Z2
Beschreibung	Wireless-Musiksystem
Technische Merkmale	<p>Apple®-AirPlay®-Technologie</p> <p>Lightning™-Connector</p> <p>Digitale Signalverarbeitung</p> <p>Hochwertige Class-D-Verstärker</p> <p>Schaltnetzteil</p> <p>Flowport™</p> <p>Fernbedienung</p>
Chassis	2 x 87,5 mm (Vollbereich)
Frequenzgang	50 Hz – 20 kHz ±3dB an der Bezugsachse
Frequenzumfang	-6dB bei 42 Hz und 22 kHz
Ausgangsleistung (Verstärker)	2 x 20 W
Spannungsversorgung	100 – 240 V ~ 50/60 Hz
Leistungsaufnahme im Betrieb	36 W
Leistungsaufnahme (Standby)	<0,5 W
Betriebstemperatur	Dieses Produkt ist so ausgelegt, dass es bei einer Umgebungstemperatur von bis zu 45°C arbeitet
Eingänge	<p>Lightning™-Connector</p> <p>Netzwerk (RJ45 Ethernet bzw. drahtlos)</p> <p>Aux – analog (3,5-mm-Minibuchse)</p>
Höhe	180 mm
Breite	320 mm
Tiefe	100 mm
Nettogewicht	2,6 kg
Gehäuse	ABS, glasfaserverstärkt
Abdeckung	Metall
Apple-Kompatibilität	<p>Der Lightning-Connector ist kompatibel mit dem iPhone 5, dem iPod touch (5. Generation) und dem iPod nano (7. Generation).</p> <p>AirPlay ist kompatibel mit dem iPhone, dem iPod touch und dem iPad mit iOS 4.3.3 oder höher, einem Mac mit OS X Mountain Lion bzw. einem Mac/PC mit iTunes 10.2.2 oder höher.</p>

Bienvenido a Bowers & Wilkins y al Z2

Gracias por elegir Bowers & Wilkins. Cuando John Bowers fundó nuestra compañía, lo hizo con la firme creencia de que el diseño imaginativo, la ingeniería innovadora y la tecnología avanzada eran las claves que podían desbloquear el disfrute del sonido en el hogar. Se trata de una creencia que seguimos compartiendo y que inspira cada producto que diseñamos.

El Z2 es más que un simple sistema de altavoces con estación de carga para iPod®. Además de escuchar la música que tenga almacenada en su iPod o iPhone®, puede utilizarlo para:

- Reproducir sonido directamente desde iTunes® tanto por cable como mediante una conexión en red inalámbrica.
- Conectar y escuchar fuentes de audio externas como un televisor o un reproductor de audio portátil que no incluya tomas USB.

Este manual le contará todo lo que usted necesita saber para sacar el máximo provecho del Z2. Empieza describiendo el contenido del embalaje del Z2.



1. Contenido del Embalaje del Z2

1. Z2
2. Fuente de alimentación
3. Mando a distancia
4. Paquete con documentación

Información Medioambiental

Este producto satisface varias regulaciones internacionales relacionadas con la protección del medio ambiente, entre ellas –pero sin estar limitadas a las mismas– la de Restricción del Uso de Sustancias Peligrosas (RoHS) en equipos eléctricos y electrónicos, la de Registro, Evaluación y Autorización del uso de Productos Químicos REACH) y la de eliminación de Residuos Procedentes de Equipos Eléctricos y Electrónicos (WEEE). Para reciclar o desechar este producto adecuadamente, le sugerimos que contacte con sus autoridades locales en materia de gestión de residuos.

El conector Lightning funciona con iPhone 5, iPod touch (5ª generación) e iPod nano (7ª generación).

El AirPlay funciona con iPhone, iPod touch e iPad equipados con el sistema operativo iOS 4.3.3 o posterior, con ordenadores Mac con sistema operativo OS X Mountain Lion o con ordenadores PC y Mac equipados con iTunes 10.2.2 o posterior.



2. Conexión de su Z2

Usted puede conectar su Zeppelin Air de tres maneras diferentes:

- Utilizando el sistema AirPlay.
- Utilizando el conector Lightning™.
- Utilizando La entrada Auxiliar.

El Diagrama 1 ilustra los terminales de conexión del panel posterior del Z2.

Conexión Vía AirPlay

El Z2 es capaz de reproducir música desde iTunes tanto por vía inalámbrica como a través de una conexión por cable (Ethernet) utilizando la tecnología de "streaming" AirPlay. Cuando es conectado a la misma red como un ordenador equipado con iTunes, el Z2 puede aparecer como una opción de salida en el menú desplegable del AirPlay. Para obtener más información sobre cómo configurar el Z2 para que forme parte de su red doméstica y sobre cómo configurar iTunes para que sus contenidos se puedan escuchar a través del Z2, le rogamos que consulte la Sección 5.

Nota: Asegúrese de haber instalado la versión de iTunes más avanzada disponible.

Nota: Si desea conectar su Z2 a una red de Ethernet, necesitará un cable de Ethernet estándar.

Además de reproducir directamente –"streaming"– contenidos de audio desde iTunes, el AirPlay también permite reproducir directamente con el Z2 contenidos de audio procedentes de un iPod touch, iPhone o iPad. Cualquier aplicación para iPod touch, iPhone o iPad que incorpore un control de volumen vendrá acompañada de un icono adicional que permite seleccionar cajas acústicas remotas disponibles para la escucha. Cualquier dispositivo AirPlay que esté dentro del rango de cobertura de la red inalámbrica será incluido en la lista de selecciones.

Conector Lightning

El conector Lightning del Z2 es compatible con el iPhone 5, el iPod touch (5ª generación) y el iPod nano (7ª generación). Pueden utilizarse modelos más antiguos de iPod o iPhone, así como reproductores de música alternativos, uniendo las tomas de auriculares de los mismos a la entrada Aux del panel posterior del Z2. Los iPod o iPhone cargados en el Z2 se recargarán cuando este último esté en funcionamiento, en Standby o en el modo "Sleep".

Entrada Auxiliar

Si desea escuchar música procedente de una fuente analógica o digital externa, conéctela a la entrada AUX del Z2 utilizando un cable analógico terminado con una mini-clavija estándar o un cable digital terminado con una mini-clavija óptica TosLink.

Entrada de Corriente Eléctrica Alterna

Conecte el Z2 a una toma de corriente eléctrica alterna con ayuda del cable de red suministrado de serie con el aparato. Cuando el Z2 sea conectado a la red eléctrica por primera vez, se pondrá en marcha automáticamente con su indicador luminoso en rojo parpadeante.

Nota: La tabla que figura en la Sección 4 describe todos los colores del indicador luminoso del Z2 y sus correspondientes significados.

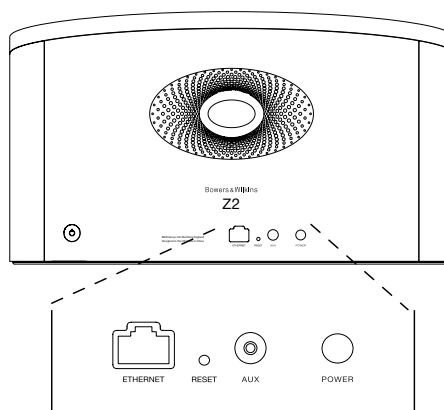


Diagrama 1
Panel posterior del Z2

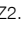
3. Utilización del Z2

El Z2 puede ser manejado desde los controles de su cuerpo principal o desde el mando a distancia. Si se va a utilizar el mando a distancia, deberá retirarse antes la lengüeta de aislamiento que hay en el compartimento portabaterías. Esto se ilustra en el Diagrama 3. El Diagrama 4 ilustra las funciones clave del mando a distancia.

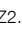
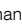
3.1 Puesta en Marcha y Desconexión

Además del modo de funcionamiento normal, el Z2 incluye los modos de Espera ("Standby") y Reposo ("Sleep"). En el modo Standby, todas las funciones del Z2 están desactivadas y el consumo de energía del aparato es minimizado. En el modo Sleep, la función de conexión en red inalámbrica del Z2 permanece activada. El indicador del Z2 se ilumina en color rojo atenuado en el modo Sleep y se apagará en el modo Standby.

El Z2 puede ser activado desde el modo Standby realizando las acciones siguientes:

- Pulsando el botón Standby  del Z2.
- Estacionando un iPod o iPhone en el puerto de carga.

El Z2 puede ser activado desde el modo Sleep realizando las acciones siguientes:

- Pulsando el botón Standby  del Z2.
- Pulsando la tecla Standby  del mando a distancia.
- Estacionando un iPod o iPhone en el puerto de carga.
- Reproduciendo directamente –"streaming"- música con el Z2 vía AirPlay.
- Reproduciendo música a través de la entrada AUX.

Cuando el Z2 es puesto en marcha desde Standby o Sleep, se seleccionará la última entrada utilizada si la misma sigue estando conectada. Si la última entrada utilizada ya no está conectada, el Z2 explorará automáticamente sus entradas (AUX, Dock, AirPlay) y seleccionará la primera que encuentre que esté conectada. El indicador luminoso del Z2 cambiará al color que designe la entrada seleccionada. En caso de que no se encuentre ninguna entrada conectada, el Z2 seleccionará por defecto la entrada AirPlay.

Nota: Si en el momento de la puesta en marcha inicial el AirPlay no ha sido configurado, el indicador luminoso parpadeará en color amarillo.

Nota: La tabla que figura en la Sección 4 describe todos los colores del indicador luminoso del Z2 y sus correspondientes significados.

Para situar el Z2 en el modo Sleep, pulse la tecla Standby del mando a distancia o pulse y mantenga pulsado durante 2 segundos el botón Standby del Z2. El indicador del Z2 se iluminará en color rojo atenuado.

Para situar el Z2 en el modo Standby, pulse y mantenga pulsado durante 4 segundos el botón Standby del Z2. El indicador del Z2 se apagará.

Nota: No es posible situar el Z2 en el modo Standby desde el mando a distancia.

Nota: El Z2 entrará automáticamente en el modo Sleep si se deja inactivo durante más de 30 minutos.

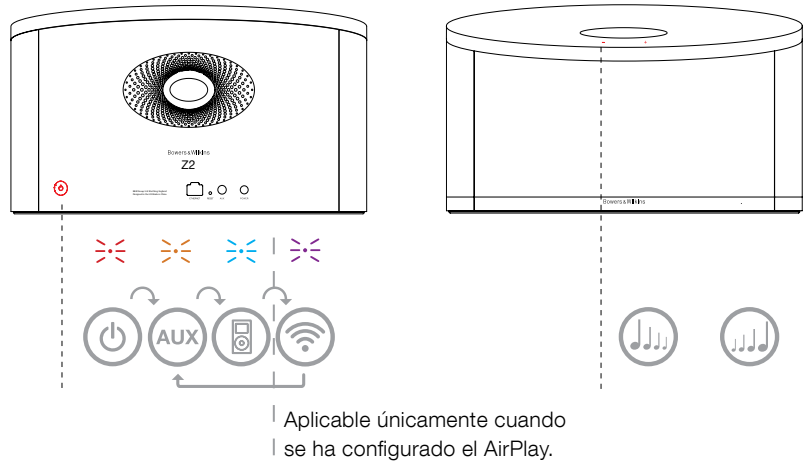


Diagrama 2
Explicación de los controles del Z2

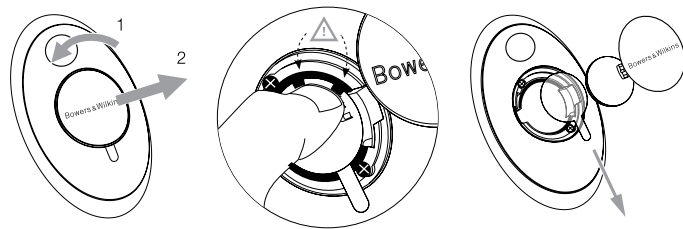


Diagrama 3
Extracción de la lengüeta aislante del compartimento portabaterías del Z2

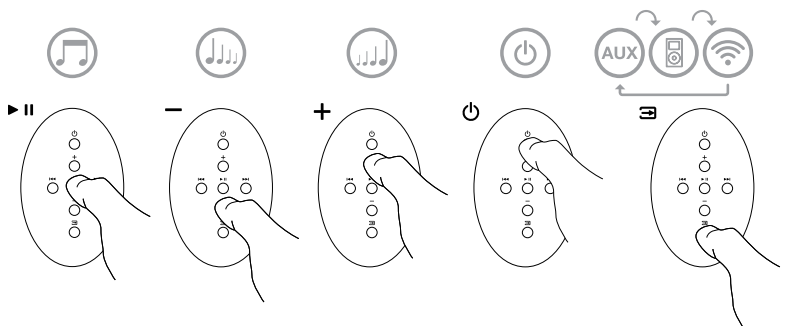


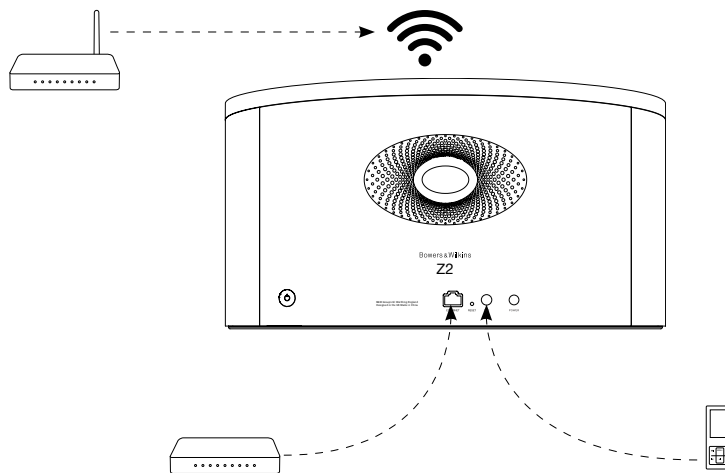
Diagrama 4
Explicación del mando a distancia del Z2

3.2 Funciones del Z2

El Diagrama 5 ilustra la conectividad del Z2.

Con el Z2 activado desde el modo Standby o Sleep, usted puede:

- Escuchar música desde su iPod o iPhone.
- Conectarse a una red por cable o inalámbrica y escuchar contenidos de audio de iTunes vía AirPlay.
- Escuchar otras fuentes de audio analógicas o digitales a través de la entrada AUX del Z2.
- Utilizar las teclas Volume del mando a distancia o los botones Volume del Z2 para controlar el nivel de volumen.
- Si se ha estacionado un iPod o iPhone o el Z2 está conectado a iTunes vía AirPlay, usted puede utilizar la tecla Play/Pause del mando a distancia para, respectivamente, reproducir o detener momentáneamente la reproducción de señales de audio o las teclas Next y Previous para seleccionar respectivamente los temas siguiente o anterior.
- Utilizar la tecla Input del mando a distancia o el botón Standby del Z2 para seleccionar de manera secuencial entradas conectadas.



3.3 Conmutación Automática de las Entradas del Z2

El Z2 conmutará automáticamente a su entrada AirPlay o se pondrá en marcha desde el modo Sleep en las circunstancias que se reseñan a continuación:

- La entrada AirPlay será seleccionada automáticamente si en la misma está presente una señal de audio reproducida directamente –“streaming”- vía iTunes cuando está seleccionada la entrada correspondiente al puerto de carga –“dock”- y un iPod o iPhone estacionado en el mismo deja de reproducir música.
- La entrada AirPlay será seleccionada automáticamente si en la misma está presente una señal de audio reproducida directamente –“streaming”- vía iTunes cuando está seleccionada la entrada AUX pero no se está reproduciendo ninguna señal de audio.
- Si en la entrada AirPlay está presente una señal de audio reproducida directamente –“streaming”- vía iTunes cuando el Z2 está en el modo Sleep, el aparato se pondrá en marcha automáticamente y reproducirá dicha señal.
- Cuando el Z2 haya estado en el modo Sleep durante más de 1 minuto y se detecte la presencia de una señal de audio en la entrada AUX, se activará automáticamente y reproducirá dicha señal.

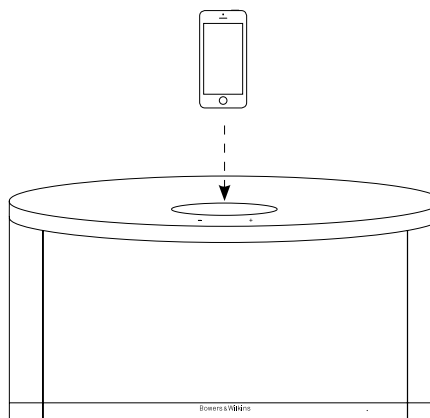


Diagrama 5
Conectividad del Z2

4. El Indicador Luminoso del Z2

El indicador del Z2 se ilumina en una extensa gama de colores para indicar diferentes condiciones operativas. La Tabla 1 describe dichos colores y sus correspondientes significados.

5. Incorporación a Redes Inalámbricas y configuración de iTunes

Para que pueda escuchar música de iTunes en su Z2 utilizando AirPlay, su Z2 debe formar parte de la misma red que el ordenador en el que iTunes esté instalado y funcionando. La dirección de red del Z2 está configurada en DHCP ("Dynamic Host Configuration Protocol"/Protocolo de Configuración de Huésped Dinámico), que significa que una vez el aparato se haya incorporado a la red inalámbrica ya no requerirá ninguna configuración posterior. Antes de empezar necesitará conocer el nombre y la contraseña de su red inalámbrica doméstica.

5.1 Configuración de su Z2 con su dispositivo iOS (iPod touch, iPad o iPhone)

- Hágase con la aplicación de software "Bowers & Wilkins Control" en la App Store o visitando www.bowers-wilkins.com/control.
- Siga las instrucciones que aparezcan en pantalla.

5.2 Configuración de su Z2 con un Mac o PC

- Hágase con la aplicación de software "Bowers & Wilkins Control" en la App Store o visitando www.bowers-wilkins.com/control.
- Siga las instrucciones que aparezcan en pantalla.

5.3 Configuración del Z2 utilizando una conexión por cable

Para configurar el Z2 a fin de que forme parte de su red inalámbrica, en primer lugar debería conectarlo físicamente a su PC/Mac utilizando un cable de Ethernet. Deberá asegurarse de que la funcionalidad inalámbrica de su Mac/PC esté desactivada. Una vez efectuada la conexión, podrá navegar hasta la página de configuración del Z2. Siga los pasos que se indican a continuación.

Nota: El Z2 también puede utilizar una red por cable para realizar "streaming" via AirPlay.

- Desconecte todos los cables del Z2 y retire cualquier iPod/iPhone que esté cargado en el mismo.
- Con ayuda de un cable de Ethernet, conecte la toma ETHERNET del panel posterior del Z2 a una toma de Ethernet de su ordenador.
- Conecte el cable de alimentación. El Z2 se activará, con el indicador iluminado en color rojo parpadeante.
- Una vez que el indicador del Z2 empiece a parpadear en amarillo, pulse y mantenga pulsado durante 4 segundos el botón de volumen "+" del Z2. Cuando la conexión a la red por cable haya sido establecida por completo, el citado indicador se situará en color púrpura estacionario (es decir sin parpadear).
- Con ayuda de un navegador de Internet instalado en el ordenador conectado al Z2, teclee la dirección de red por defecto del Z2 (<http://169.254.1.1>) en el campo de direcciones de dicho navegador y pulse "return". Esto permitirá abrir la página de configuración del Z2.
- La página de configuración le ofrece la opción de cambiar el nombre del Z2. Dicho cambio es útil en el caso de que haya más de un Z2 conectado a la red. Introduzca un nuevo nombre (Z2 Cocina, por ejemplo) en la caja Name ("Nombre").

- Seleccione el Nombre ("Name") de su red doméstica en la lista desplegable e introduzca la Contraseña ("Password") en la caja apropiada. Sea cuidadoso a la hora de teclear la contraseña.
- Cuando haya terminado, haga clic en el botón Apply ("Aplicar") y a continuación cierre la página de configuración del Z2. Desconecte el cable de Ethernet.
- Cuando la conexión a la red inalámbrica haya sido establecida, el indicador luminoso del Z2 cambiará a color púrpura estacionario. Este proceso tardará unos 3 minutos en completarse.

Nota: Si el Z2 no puede conectarse a su red inalámbrica doméstica, lo más probable es que la contraseña de acceso a la misma haya sido introducida de manera incorrecta. Siga las instrucciones de reinicialización que figuran en la Sección 7 y comience de nuevo el procedimiento de configuración de red.

5.4 Configuración de iTunes

Con el Z2 conectado a su red doméstica (por cable o por vía inalámbrica), usted puede configurar iTunes para utilizarlo como un dispositivo de salida. Seleccione Z2 como una opción de salida en el menú desplegable del AirPlay. A partir de este momento, iTunes se reproducirá a través del Z2.

Es posible conectar varios Z2 a la red inalámbrica y utilizarlos para sonorizar habitaciones separadas. Cada uno de ellos estará disponible en el menú devices ("dispositivos") de iTunes, identificado por el respectivo nombre especificado en la página de configuración o, por defecto, por los tres últimos dígitos de su correspondiente número de serie.

Color del Indicador	Significado	Entrada Seleccionada
Apagado	Standby	No Disponible
Rojo atenuado	Reposo ("Sleep")	No Disponible
Rojo parpadeando	Arranque	No Disponible
Rojo parpadeando dos veces	Reinicialización activada	No Disponible
Azul	On (Activado)	Dock (Puerto de Carga)
Azul parpadeando rápidamente	Ajuste del nivel de volumen	Dock (Puerto de Carga)
Naranja	On (Activado)	Aux
Naranja parpadeando rápidamente	Ajuste del nivel de volumen	Aux
Púrpura	On (Activado)	AirPlay
Púrpura parpadeando rápidamente	Ajuste del nivel de volumen	AirPlay
Púrpura parpadeando lentamente	Ausencia de conexión en red	AirPlay
Rojo parpadeando rápidamente	Operación no válida	Cualquiera
Amarillo parpadeando lentamente	Modo de configuración sin cables	No Disponible
Blanco	Actualización de firmware	No Disponible
Blanco parpadeando	Error de firmware	No Disponible

Tabla 1
Color del indicador luminoso y su significado

6. Actualización del Firmware del Z2

Es posible que de vez en cuando esté disponible para su descarga firmware actualizado del Z2 en la correspondiente sección de soporte del sitio web de Bowers & Wilkins.

7. Reinicialización del Z2 a los Ajustes de Fábrica

El Z2 tiene un pequeño botón de reinicialización situado en un receso de su panel posterior. Dicho botón se ilustra en el Diagrama 6. Para devolver los ajustes de red del Z2 (entrada AirPlay) a los establecidos en fábrica, asegúrese de que el cable de red esté conectado y ponga en marcha el Z2. Pulse y mantenga pulsado el botón de reinicialización durante 2 segundos. El indicador parpadeará dos veces en color rojo.

8. Limpieza del Z2

Para limpiar el Z2, utilice una gamuza libre de hilos. Si desea utilizar un producto de limpieza, aplíquelo sobre la gamuza, nunca directamente sobre el Z2. Pruebe en primer lugar con una superficie pequeña, ya que ciertos productos de limpieza pueden dañar algunas de las superficies. Evite el uso de productos abrasivos o que contengan ácidos, álcalis o agentes antibacterianos.

9. Problemas y Posibles Soluciones

Si necesita ayuda para resolver un problema específico o hay alguna cuestión sobre la que desea preguntarnos, le rogamos que consulte nuestra guía de Problemas y Posibles Soluciones ("Troubleshooting") o la sección de Preguntas Más Frecuentes ("Frequently Asked Questions") de la Página de Soporte del Z2 de nuestro sitio web. www.bowers-wilkins.com

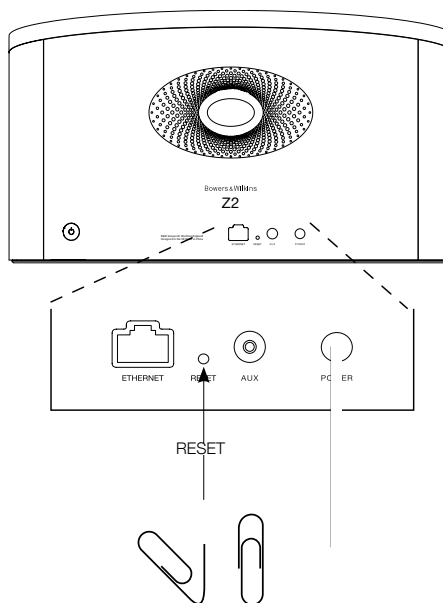


Diagrama 6
Reinicialización del Z2 a los ajustes de fábrica

Características Técnicas

Modelo	Z2
Descripción	Sistema de Audio Inalámbrico
Detalles tecnológicos relevantes	Tecnología AirPlay® de Apple® Conector Lightning™ Procesado Digital de Señal (DSP) Amplificador digital de alta calidad en Clase D Fuente de alimentación conmutada Flowport™ Mando a distancia
Transductores utilizados	2 altavoces de gama completa ("full range") de 87'5 mm de diámetro
Respuesta en frecuencia	50-20.000 Hz, ±3 dB medida sobre el eje de referencia
Rango de frecuencias	corde a -6 dB en 42 Hz y 22 kHz
Potencia de salida del amplificador interno	2x20 W
Tensión de alimentación	100 V-240 V a 50/60 Hz
Consumo a la potencia nominal	36 W
Consumo en standby	<0'5 W
Temperatura de funcionamiento	Este producto ha sido diseñado para funcionar en una temperatura ambiente máxima de 45°C
Entradas	Conector Lightning™ Conexión a redes (Ethernet RJ45 o Wi-Fi) Auxiliar – analógica (mini-clavija de 3'5 mm)
Altura	180 mm
Anchura	320 mm
Profundidad	100 mm
Peso neto	2'6 kg
Recinto	ABS relleno de fibra de vidrio
Rejillas	Metálica
Compatibilidad Apple	El conector Lightning funciona con iPhone 5, iPod touch (5ª generación) e iPod nano (7ª generación). El AirPlay funciona con iPhone, iPod touch e iPad equipados con el sistema operativo iOS 4.3.3 o posterior, con ordenadores Mac con sistema operativo OS X Mountain Lion o con ordenadores PC y Mac equipados con iTunes 10.2.2 o posterior.

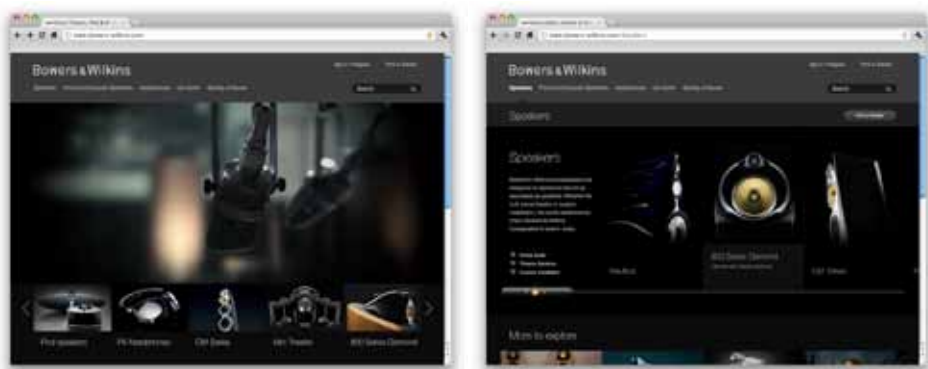
Bem-vindo à Bowers & Wilkins e ao Z2

Obrigado por ter optado pela Bowers & Wilkins. Quando John Bowers estabeleceu a companhia, fê-lo na crença de que um desenho imaginativo, uma engenharia inovadora e tecnologia avançada eram as chaves que poderiam abrir o desfrutar do áudio em casa. A sua crença é algo que continuamos a partilhar e que inspira cada produto que desenhamos.

O Z2 é mais do que apenas uma dock de iPod®. Além de ouvir áudio armazenado no seu iPhone ou iPod® pode ser usado para:

- Reprodução de áudio diretamente do iTunes® através de um cabo ou ligação à rede sem fios.
- Ligar e ouvir uma fonte de áudio externa, como uma TV ou leitor de música portátil não USB.

Este manual vai dizer-lhe tudo o que precisa saber para obter o melhor do seu Z2. Começa por descrever o conteúdo da caixa do Z2.



1. Conteúdo da caixa do Z2

1. Z2
2. Fonte de alimentação
3. Comando à distância
4. Pack de documentos

Informação ambiental

Este produto está em regra com as diretivas internacionais, incluindo mas não limitado às Restrições de Substâncias Perigosas (RoHS) em equipamento elétrico e eletrónico, Registo, Avaliação; Autorização e Restrição de Químicos (REACH) e Desperdício de Equipamento Elétrico e Eletrónico (WEEE). Consulte a autoridade local de desperdício para guiá-lo na forma como reciclar ou desfazer-se deste produto.

O conector lightning funciona com o iPhone 5, iPod touch (5ª geração e iPod nano (7ª geração)

O Airplay funciona com o iPhone, iPod Touch e iPad com o iOS 4.3.3 ou mais recente, Mac com OSX Mountain Lion, ou Mac e PC com iTunes 10.2.2 ou mais recente.



2. Ligando o seu Z2

Pode ligar o seu Z2 de três formas diferentes:

- Usando o AirPlay®.
- Utilizando o conector Lightning™.
- Usando as entradas AUX.

O Diagrama 1 ilustra as tomadas de ligação do painel traseiro do Z2.

Ligação AirPlay

O Z2 é capaz de reproduzir áudio a partir do iTunes quer via wireless ou via ligação com fios (Ethernet) utilizando a tecnologia AirPlay streaming. Quando ligado à mesma rede que um computador que esteja a passar o iTunes, o Z2 poderá surgir como uma opção de reprodução no menu Airplay que aparece. Veja a secção 5 para informação sobre como configurar o Z2 para integrar a sua rede caseira e como configurar o iTunes para ser reproduzido pelo Z2.

Nota: Por favor assegure-se que tem instalada a mais recente versão do iTunes

Nota: é necessário um cabo standard Ethernet se desejar ligar o seu Z2 a uma rede Ethernet.

Para além de reproduzir áudio em fluxo de dados a partir do iTunes, o AirPlay também torna possível fazer o mesmo diretamente para o Z2 a partir de um iPod Touch, iPhone ou iPad®. Cada aplicação iPod Touch, iPhone ou iPad que incorpore um controlo de volume, terá um ícone adicional que permite a seleção de colunas remotas para reprodução. Qualquer Z2 dentro do alcance wireless (sem fios) será incluído na lista de seleção.

Conector Lightning

O conector Lightning do Z2 é compatível com o iPhone 5, iPod touch (5ª geração) e iPod nano (7ª geração). Modelos mais antigos de iPod e iPhone ou reprodutores de música alternativos, podem ser ligados através das suas saídas de auscultadores à entrada AUX do painel traseiro do Z2. Os iPhone e iPod são carregados quando acoplados à dock do Z2 quer a mesma esteja em modo Standby ou Sleep.

Entrada Auxiliar (AUX)

Se deseja ouvir uma fonte externa digital ou analógica, ligue-a à entrada Aux do Z2 utilizando quer um cabo analógico terminado em ficha mini-jack.

Entrada de corrente (Power)

Ligue o Z2 a uma tomada de corrente, utilizando o cabo de corrente fornecido.

Nota: A tabela da Secção 4 descreve todas as cores do indicador do Z2 e os seus significados.

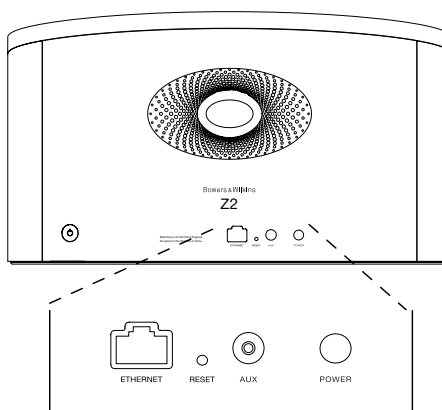


Diagrama 1
Painel traseiro do Z2

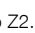
3. Utilizando o Z2

O Z2 pode ser operado quer diretamente a partir dos controlos no seu corpo, ou através do controlo remoto. Se este for utilizado a partir do controlo remoto, a película isoladora da bateria deve ser removida. Isto encontra-se ilustrado no Diagrama 3. O Diagrama 4 ilustra as funções do comando.

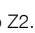
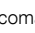
3.1 Ligando e Desligando

Em adição ao modo de operação normal, o Z2 possui simultaneamente modos de Standby e de Sleep (adormecido). Em modo Standby, todas as funções do Z2 são desligadas e o consumo de energia minimizado. Em modo Sleep, a função wireless do Z2 mantém-se ligada à rede. O indicador do Z2 ilumina-se em vermelho fraco em modo Sleep e desligar-se-á em modo Standby.

O Z2 pode ser ligado a partir do modo Standby pelas seguintes ações:

- Pressionando o botão de standby  do Z2.
- Acoplando um iPod ou iPhone.

O Z2 pode ser ligado a partir do modo Adormecido pelas seguintes ações:

- Pressionando o botão de standby  do Z2.
- Pressionando a tecla de standby  no comando.
- Acoplando um iPod ou iPhone.
- Passando musica para o Z2 via AirPlay.
- Reproduzindo musica pela entrada AUX.

Quando o Z2 é ligado de Standby ou Sleep, a última entrada utilizada será selecionada se ainda em utilização. Se a ultima entrada utilizada já não estiver em utilização, o Z2 automaticamente percorre as suas entradas Aux, Dock, AirPlay e seleciona a primeira que estiver ligada. O indicador do Z2 mudará para a cor que designa a entrada selecionada. Se nenhuma entrada estiver ligada, o Z2 selecionará por exclusão de partes, a entrada AirPlay. Se o modo AirPlay não tiver sido parametrizado o Z2 entrará em modo Sleep (Adormecido).

Nota: Quando ligado pela primeira vez, quando o AirPlay não está parametrizado o indicador piscará a amarelo.

Nota: A tabela da Secção 4 descreve todas as cores do indicador do Z2 e os seus significados.

Para passar o Z2 para o modo Sleep (adormecido), pressione a tecla de Standby do comando ou pressione e mantenha premido durante 2 segundos o botão de standby do Z2. O indicador do Z2 iluminar-se-á a vermelho fraco.

Para passar o Z2 para o modo Standby, mantenha premido o botão de Standby no Z2 durante 4 segundos. O indicador do Z2 apagar-se-á.

Nota: Não é possível passar o Z2 para o modo Standby a partir do comando.

Nota: O Z2 entrará automaticamente em modo Adormecido 'Sleep' se deixado sem qualquer tipo de atividade por mais de 30 minutos.

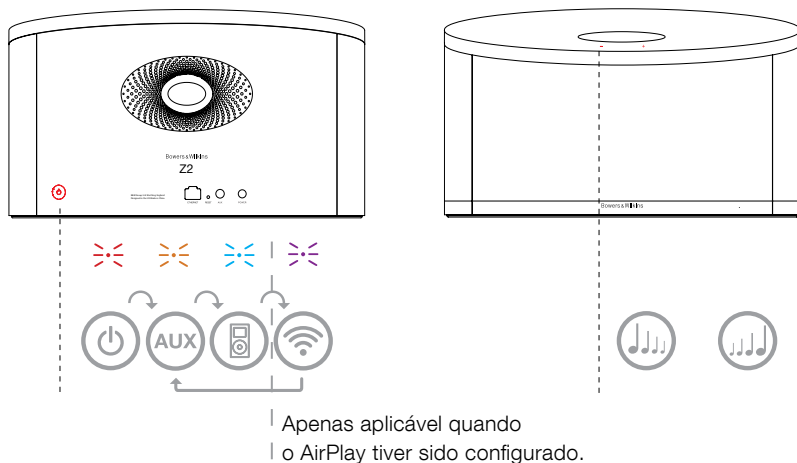


Diagrama 2
Explicação dos Controlos do Z2

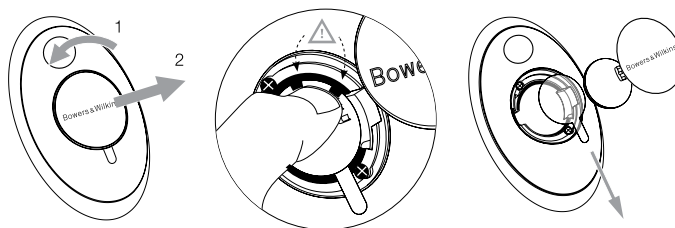


Diagrama 3
Remoção da película isoladora do Z2

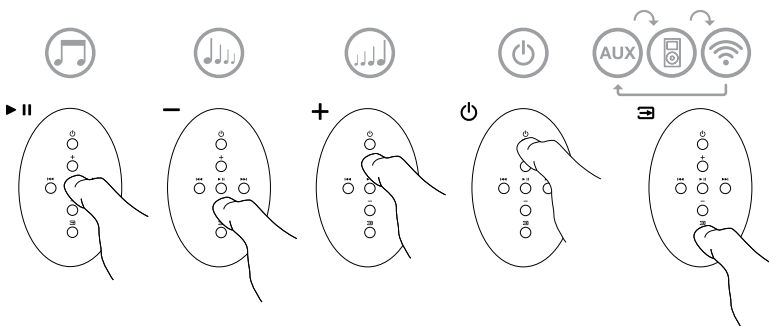


Diagrama 4
Explicação do controlo remoto do Z2

3.2 Funções do Z2

O Diagrama 5 ilustra as ligações do Z2.

Com o Z2 ligado a partir de Standby ou Sleep:

- Pode ouvir áudio do seu iPod ou iPhone.
- Pode ligá-lo a uma rede através de cabo ou via wireless para ouvir o iTunes áudio via AirPlay.
- Pode ouvir outras fontes analógicas, via entrada (AUX)iliar do Z2
- Pode utilizar as teclas de Volume do comando ou os botões de Volume no Z2 para controlar o volume.
- Se um iPod ou iPhone é acoplado, ou o Z2 é ligado ao iTunes via AirPlay, pode utilizar as teclas Play/Pausa do comando para reproduzir ou parar a reprodução áudio, ou as teclas Next (seguinte) ou Previous (anterior) para selecionar a faixa seguinte ou anterior.
- Pode utilizar a tecla de seleção de Entradas no comando ou no botão de Standby do Z2 para selecionar as entradas sequencialmente.

3.3 Seleção Automática de Entradas no Z2

Em certas circunstâncias o Z2 seleciona automaticamente a sua entrada AirPlay ou passa para o modo Sleep:

- Se um fluxo de dados de áudio do iTunes está presente na entrada AirPlay quando a entrada dock está selecionada e o iPod ou iPhone acoplado pára de reproduzir, a entrada AirPlay será automaticamente selecionada.
- Se um fluxo de dados de áudio do iTunes está presente na entrada AirPlay quando a entrada AUX está selecionada mas não existe áudio a ser reproduzido, a entrada AirPlay será automaticamente selecionada.
- Se um fluxo de dados de áudio do iTunes está presente na entrada AirPlay quando o Z2 está em modo Sleep, este passará automaticamente para o estado ligado e reproduzirá o fluxo de dados áudio.
- Quando o Z2 estiver em modo Sleep (Adormecido) durante mais de um minuto e o sinal de áudio for detetado através da entrada AUX, o mesmo ligar-se-á automaticamente e reproduzirá o áudio dessa entrada.

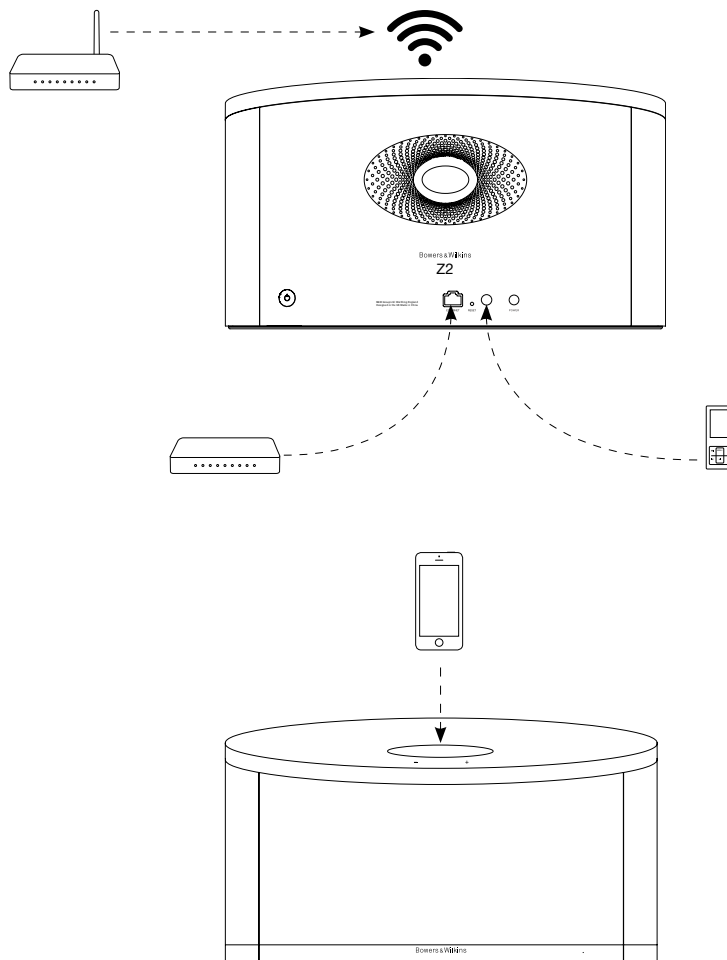


Diagrama 5
Conectividade do Z2

4. Indicador do Z2

O indicador do Z2 ilumina-se numa gama de cores variada a fim de indicar diferentes condições de operação. A tabela 1 descreve as cores e os seus significados.

5. Integrando redes sem fios e configurando o iTunes

De forma a ouvir a sua música do iTunes no Z2 utilizando o AirPlay, o seu Z2 precisa de ser integrado na mesma rede do computador no qual o iTunes está instalado e em fluxo de dados. O endereço de rede do Z2 está definido para DHCP, o que significa que uma vez integrado na rede sem fios 'wireless', não necessita de mais nenhuma configuração. Precisar-se-á de saber qual a sua rede sem fios de casa e respetiva password 'palavra passe', antes de começar.

5.1 Configurando o seu Z2 com um dispositivo iOS (iPod Touch, iPod ou iPad)

- Descarregue a App (Aplicação) 'Bowers & Wilkins Control' através da App Store ou visite www.bowers-wilkins.com/control
- Siga as instruções no ecrã.

5.2 Configurando com o Mac ou PC

- Descarregue a App (Aplicação) 'Bowers & Wilkins Control' através da App Store ou visite www.bowers-wilkins.com/control
- Siga as instruções no ecrã.

5.3 Configurando o Z2 através de uma ligação com fios

Para configurar o Z2 para se juntar a sua rede sem fios, deverá primeiro ligá-lo fisicamente ao seu Mac/PC utilizando um cabo Ethernet. Deve assegurar que as capacidades wireless do seu Mac/PC se encontram desativadas. Uma vez ligado, poderá procurar na página de configuração do Z2. Siga os passos descritos a baixo.

Nota: O Z2 também pode utilizar uma rede com fios para reproduzir fluxos de dados áudio através do sistema AirPlay.

- Desligue todos os cabos do Z2 e retire qualquer iPod ou iPhone acoplado.
- Utilizando o cabo Ethernet fornecido, ligue a tomada traseira ETHERNET do Z2 a uma tomada Ethernet no computador.
- Ligue o cabo de alimentação. O Z2 ligar-se-á em modo de Standby com o indicador a pulsar a vermelho.
- Assim que o indicador começar a pulsar a amarelo. Pressione durante 4 segundos o botão de volume (+) no Z2. O indicador do Z2 ficará em roxo fixo assim que a rede com fios esteja estabelecida.
- Utilizando um browser de internet a 'correr' no computador que está ligado ao Z2, escreva o endereço de rede por defeito associado ao Z2 (<http://169.254.1.1>) no campo do endereço do browser e depois carregue em "return". Isto abrirá a página de configuração do Z2.

- Antes de ligar à rede sem fios de casa, a página de configuração oferece a opção de alterar o nome do Z2. Mudar o nome é útil se mais do que um Z2 for ligado à rede. Entre um novo nome (por exemplo Z2 Cozinha) na caixa para nomear.
- Selecione o Nome da sua rede da lista e entre a Password na caixa de dialogo apropriada. Tenha cuidado para teclar a password corretamente.
- Quando terminar, clique no botão 'Join' 'Juntar' e no botão OK da caixa de diálogo seguinte, então feche a página de configuração do Z2. Desligue o cabo Ethernet.
- O indicador do Z2 alterará para roxo fixo assim que a ligação com a rede wireless estiver estabelecida. Isto poderá demorar até cerca de 3 minutos.

Nota: se a ligação entre o Z2 e a sua rede wireless falhar, o mais provável é que o erro seja devido a uma introdução incorreta da password de rede. Siga as instruções de reset da Secção 7 e reinicie a configuração de rede novamente.

5.4 Configurando o iTunes

Com o Z2 ligado à sua rede de casa (com fios ou sem fios), poderá configurar o iTunes para ser utilizado como fonte de sinal. Selecione o Z2 como opção de saída no menu Airplay que aparece. O iTunes será agora reproduzido pelo Z2.

Podem ser ligados múltiplos Z2 à rede sem fios e utilizados para providenciar áudio em salas separadas. Cada um ficará visível no menu de dispositivos do iTunes, identificados pelos nomes especificados na página de configuração, ou por defeito através dos três últimos dígitos dos respetivos números de série.

Cor do Indicador	Significado	Entrada Seleccionada
Desligado	Standby	N/A
Vermelho fraco	Sleep 'Adormecido'	N/A
Pulsando vermelho	Ligando	N/A
Piscando vermelho duas vezes	Início de Reset	N/A
Azul	Ligado	Dock
Azul a piscar rápido	Ajuste de Volume	Dock
Laranja	Ligado	Aux
Laranja a piscar rápido	Ajuste de Volume	Aux
Roxo	Ligado	AirPlay
Roxo a piscar rápido	Ajuste de Volume	AirPlay
Roxo a piscar lento	Sem ligação de rede	AirPlay
Vermelho a piscar rápido	Operação inválida	Qualquer
Amarelo a piscar lento	Modo de configuração wireless	N/A
Branco	Atualização de Firmware	N/A
Branco a piscar	Erro de Firmware	N/A

Tabela 1
Cor do indicador e significado

6. Atualização de Firmware do Z2

Atualização de firmware para o Z2 pode de tempos a tempos ficar disponível para descarregar a partir da secção de suporte do Z2 no sítio da internet da Bowers & Wilkins.

7. Reset (reiniciação) de fábrica do Z2

O Z2 possui um orifício minúsculo de reset (reiniciação) localizado no painel traseiro de ligações. O botão de reset está ilustrado no Diagrama 6. Para voltar a colocar as definições de rede do Z2 (entrada AirPlay) para as definições de fábrica, certifique-se que o cabo de corrente está ligado e ligue o Z2. Mantenha premido o botão de reset (reiniciação) durante 2 segundos. O indicador piscará a vermelho duas vezes.

8. Limpeza do Z2

Use pano que não largue pelo para limpar o tecido da grelha. Se desejar usar um agente de limpeza, aplique-o diretamente no pano e não no Z2. Experimente-o primeiro numa área pequena, porque certos produtos de limpeza podem danificar determinadas superfícies. Evite produtos abrasivos, ácidos, alcalinos ou com agentes anti-bacterianos.

9. Problemas e soluções

Se necessitar de ajuda para solucionar um problema específico, ou tiver uma questão que gostasse de ver respondida, por favor consulte o nosso guia de Soluções e Problemas, ou a secção FAQ 'Perguntas mais Frequentes' na página de suporte do Z2 no nosso sítio de internet. www.bowers-wilkins.com

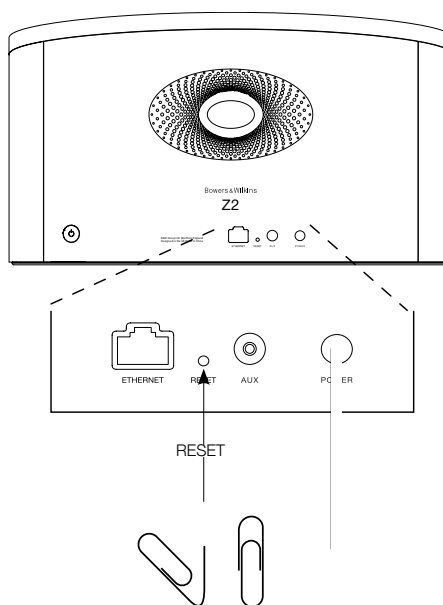


Diagrama 6
Reset (reiniciação) de fábrica do Z2

Especificações Técnicas

Modelo	Z2
Descrição	Sistema de música sem fios
Características técnicas	Tecnologia Apple® AirPlay® Lightning™ conector Processamento Digital de Sinal (DSP) Amplificador classe D de alta qualidade Fonte de Alimentação Comutada Flowport™ Controlo Remoto
Unidades	2x 87,5mm de gama total
Resposta da Frequência	50Hz – 20kHz ±3dB no eixo de referência
Gama de frequências	-6dB a 42Hz e 22kHz
Potência de saída do amplificador	2x 20W
Voltagem de entrada	100V – 240V ~ 50/60Hz
Consumo	36W
Consumo em Standby	<0.5W
Temperatura de funcionamento	Este produto foi desenhado para trabalhar a uma temperatura ambiente até 45°
Entradas	Lightning™ conector Rede (RJ45 Ethernet ou Wi-Fi) Auxiliar – analógica (3.5mm mini jack)
Altura	180mm
Largura	320mm
Profundidade	100mm
Pedo Líquido	2,6kg
Caixa	Fibra de Vidro ABS e metal
Grelhas	Tecido preto
Compatibilidade Apple	O conector lightning funciona com o iPhone 5, iPod touch (5ª geração e iPod nano (7ª geração). O Airplay funciona com o iPhone, iPod Touch e iPad com o iOS 4.3.3 ou mais recente, Mac com OSX Mountain Lion, ou Mac e PC com iTunes 10.2.2 ou mais recente.

Benvenuto e grazie per aver scelto Bowers & Wilkins.

Quando John Bowers fondò la nostra società, era convinto che design attraente, capacità d'innovare e tecnologie all'avanguardia fossero i fattori vincenti per la riproduzione audio domestica.

Le sue idee sono ancor oggi condivise da noi tutti e fonte d'ispirazione per ogni nuovo modello che progettiamo.

Z2 è molto di più di un semplice sistema di altoparlanti per iPod®. Oltre a consentire l'ascolto di file audio contenuti nel vostro iPod o iPhone®, può essere utilizzato per:

- Riprodurre file musicali dalla libreria di iTunes® attraverso il collegamento ad una rete wireless o cablata.
- Collegare una sorgente audio esterna come televisori o dispositivi portatili.

Questo manuale illustra tutto ciò che è necessario sapere per ottenere il massimo dal vostro Z2, ed inizia con la descrizione del contenuto della confezione.



1. Contenuto della confezione

1. Z2
2. Alimentatore
4. Telecomando
5. Documentazione

Informazioni per l'ambiente

Questo prodotto è realizzato in conformità alle normative internazionali sulla limitazione delle sostanze pericolose (RoHS) come pure sulla registrazione, valutazione, autorizzazione e limitazione delle sostanze chimiche (REACH) e sullo smaltimento delle apparecchiature elettriche ed elettroniche (WEEE).

Fare riferimento alle indicazioni dell'autorità del vostro Paese per il corretto riciclo o smaltimento del prodotto.

Il connettore Lightning è compatibile con iPhone 5, iPod touch (5ª generazione) ed iPod nano (7ª generazione).

AirPlay funziona con iPhone, iPod touch ed iPad con sistema operativo iOS 4.3.3 o successivo, Mac con sistema operativo OS X Mountain Lion, oppure Mac e PC che utilizzano iTunes 10.2.2 o successivo.



2. Collegamento dello Z2

È possibile collegare il vostro Z2 in tre differenti modi:

- Utilizzando AirPlay® per inviare senza fili file in streaming.
- Utilizzando il connettore Lightning™ sul lato superiore.
- Utilizzando l'ingresso AUX presente sul retro.

La Figura 1 illustra le prese di collegamento sul retro dello Z2.

Collegamento AirPlay

Z2 è in grado di riprodurre file audio in streaming dalla libreria di iTunes tramite la tecnologia AirPlay. Una volta connesso alla stessa rete senza fili o cablata (Ethernet) alla quale è collegato il computer dove è presente iTunes, Z2 dovrebbe comparire nell'elenco dispositivi di riproduzione del menu AirPlay. La Sezione 5 fornisce informazioni su come configurare Z2 per accedere alla vostra rete di casa ed iTunes per la riproduzione dei file tramite Z2.

Nota: Assicurarsi di avere installata la versione più recente di iTunes.

Nota: Per il collegamento dello Z2 ad una rete Ethernet cablata è richiesto un cavo con terminazioni RJ-45.

Oltre ai brani della libreria di iTunes, AirPlay permette di riprodurre in streaming la musica direttamente da un iPod, iPhone o iPad quando non collegati fisicamente allo Z2. Tutti i loro applicativi dotati di controllo di volume possiedono un'ulteriore icona che consente di selezionare altoparlanti remoti da un elenco. Ogni dispositivo con AirPlay presente nel raggio d'azione della rete wireless viene incluso nella lista.

Connettore collegamento iPod/iPhone

Il connettore Lightning™ dello Z2 è compatibile con iPhone 5, iPod touch (5ª generazione) ed iPod nano (7ª generazione). I precedenti modelli di iPod ed iPhone, come anche lettori CD o altri riproduttori portatili, possono essere collegati all'ingresso AUX sul retro dello Z2 utilizzando le rispettive uscite cuffia. Inserendo un iPhone o iPod nel connettore con lo Z2 acceso oppure in modalità Standby o Sleep, viene ricaricata la batteria del dispositivo portatile.

Ingresso AUX

Se si desidera utilizzare una sorgente audio analogica esterna, collegarla all'ingresso AUX sul retro dello Z2 utilizzando un cavo con mini-jack da 3,5 mm.

Ingresso alimentazione POWER

Collegare l'alimentatore in dotazione inserendo prima il connettore del cavo nella presa POWER sul retro dello Z2, quindi la spina in una presa elettrica. Una volta connesso all'alimentazione, Z2 si accende automaticamente ed il suo indicatore luminoso pulsa in colore rosso.

Nota: La tabella della Sezione 4 descrive i colori dell'indicatore luminoso dello Z2 ed il loro significato.

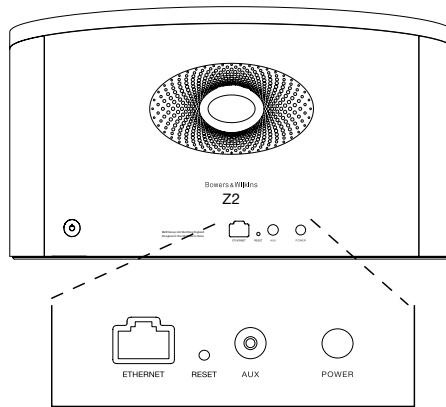


Figura 1
Pannello posteriore dello Z2

3. Utilizzo dello Z2

Z2 può essere gestito sia tramite il tasto Standby/ Selezione ingresso (sul retro) e quelli della regolazione del volume (sul lato superiore) illustrati in Figura 2, sia da telecomando. Prima di utilizzare il telecomando è necessario rimuovere la linguetta di isolamento delle batterie, come indicato in Figura 3. La Figura 4 illustra le funzioni dei tasti del telecomando.

3.1 Accensione e spegnimento

Oltre al normale stato operativo, Z2 possiede due modalità di spegnimento: Standby e Sleep. Nella prima tutte le sue funzioni risultano disattivate ed il consumo è minimo. Nella seconda la sezione wireless rimane attiva e collegata alla rete. In Sleep l'indicatore luminoso è acceso in rosso tenue mentre in Standby è spento.

Quando Z2 si trova in modalità Standby, può essere acceso con le seguenti azioni:

- Premendo il tasto Standby ϕ sul retro dello Z2.
- Inserendo nel connettore superiore un iPod o iPhone.

Quando Z2 si trova in modalità Sleep, può essere acceso con le seguenti azioni:

- Premendo il tasto Standby ϕ sul retro dello Z2.
- Premendo il tasto Standby ϕ sul telecomando.
- Inserendo nel connettore superiore un iPod o iPhone.
- Inviando allo Z2 musica in streaming tramite AirPlay.
- Avviando la riproduzione da una sorgente esterna collegata all'ingresso AUX.

Accendendo Z2 dalle modalità Standby o Sleep viene ripristinato l'ultimo ingresso utilizzato prima dello spegnimento se la sorgente risulta ancora connessa. In caso contrario Z2 passerà in rassegna tutti gli ingressi (AUX, Connettore iPod/iPhone ed AirPlay) fino a trovare il primo segnale disponibile ed attivando il relativo ingresso. L'indicatore luminoso cambia colore in funzione dell'ingresso selezionato. Se nessun segnale viene rilevato, Z2 si predispone per ricevere dati attraverso AirPlay.

Nota: Alla prima accensione, quando AirPlay non è stato ancora configurato, l'indicatore lampeggia in colore giallo.

Nota: La tabella della Sezione 4 descrive i colori dell'indicatore luminoso dello Z2 ed il loro significato.

Per commutare Z2 in modalità Sleep, premere il tasto Standby sul telecomando oppure premere e mantenere premuto il tasto Standby sul retro per 2 secondi. L'indicatore luminoso assume la colorazione rosso tenue.

Per commutare Z2 in modalità Standby, premere e mantenere premuto il tasto Standby sul retro per 4 secondi. L'indicatore luminoso si spegne.

Nota: Non è possibile commutare Z2 in Standby tramite il telecomando.

Nota: Z2 automaticamente entra in modalità Sleep se lasciato inattivo per oltre 30 minuti.

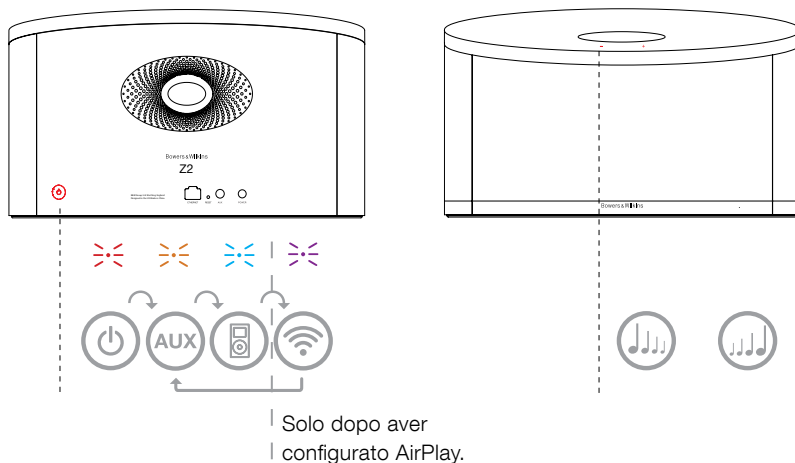


Figura 2
Rappresentazione grafica dei comandi dello Z2

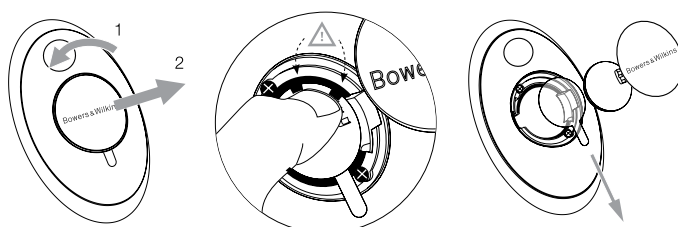


Figura 3
Rimozione della linguetta di isolamento batterie nel telecomando

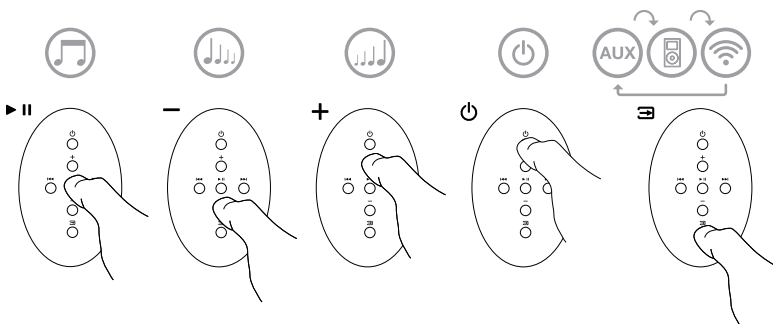


Figura 4
Rappresentazione grafica del funzionamento del telecomando

3.2 Funzioni dello Z2

La Figura 5 illustra i collegamenti allo Z2.

Accendendo Z2 dalle modalità Standby o Sleep, diviene possibile:

- Riprodurre file audio dal vostro iPod o iPhone.
- Connetterlo ad una rete senza fili o cablata e con AirPlay riprodurre i brani della libreria di iTunes.
- Riprodurre altre sorgenti analogiche collegate all'ingresso AUX.
- Utilizzare i tasti + / - sul telecomando o sullo Z2 per regolare il volume d'ascolto.
- Se un iPod o iPhone viene inserito nel connettore oppure Z2 è collegato ad iTunes tramite AirPlay, è possibile utilizzare il tasto ► II del telecomando per avviare la riproduzione o sospenderla temporaneamente, ed i tasti ◀◀ o ▶▶ per selezionare il brano precedente o il successivo.
- Utilizzare il tasto [] del telecomando o il tasto Standby/Selezione ingresso sul retro dello Z2 per selezionare in sequenza gli ingressi.

3.3 Selezione automatica ingresso

In alcuni casi Z2 si predisponde automaticamente sull'ingresso AirPlay o si accende dalla modalità Sleep:

- Se da iTunes viene inviato un file audio quando è in funzione un iPod o iPhone inserito nel connettore e la riproduzione viene interrotta, Z2 si predisponde automaticamente sull'ingresso AirPlay.
- Se da iTunes viene inviato un file audio quando è selezionato l'ingresso AUX, ma non è presente alcun segnale, Z2 si predisponde automaticamente sull'ingresso AirPlay.
- Se da iTunes viene inviato un file audio quando Z2 è in modalità Sleep, esso si accende predisponendosi automaticamente sull'ingresso AirPlay ed iniziando la riproduzione.
- Quando Z2 si trova in modalità Sleep da più di un minuto e viene rilevato un segnale all'ingresso AUX, esso si accende predisponendosi automaticamente su quell'ingresso ed iniziando la riproduzione.

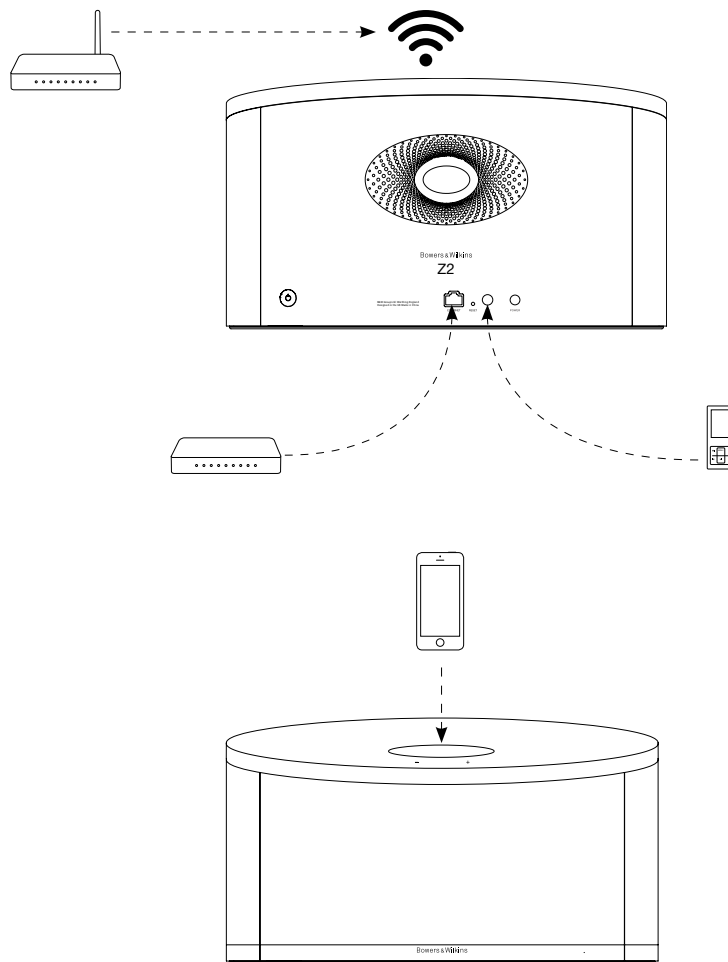


Figura 5
Collegamenti allo Z2

4. Indicatore luminoso dello Z2

L'indicatore luminoso dello Z2 assume via via colori diversi per indicare lo stato operativo. La Tabella 1 descrive in dettaglio i colori ed il loro significato.

5. Connessione ad una rete senza fili e configurazione di iTunes

Per riprodurre file musicali contenuti nella libreria di iTunes tramite AirPlay è necessario che Z2 abbia accesso alla stessa rete senza fili alla quale è connesso il computer dove è installato e funzionante iTunes. La sezione Wi-Fi dello Z2 è predisposta come client DHCP, ovvero per ricevere un indirizzo identificativo di rete (ip address) da un server DHCP rappresentato dal dispositivo che fornisce l'accesso alla vostra rete di casa (access point con funzioni di router) e non richiede ulteriori impostazioni oltre all'inserimento del nome della rete e della relativa password. Prima di procedere quindi, assicuratevi di conoscere il nome della rete e la password di accesso.

5.1 Configurazione dello Z2 tramite dispositivi iOS (iPod touch, iPad o iPhone)

- Scaricare l'applicazione gratuita Bowers & Wilkins Control dall'App Store oppure dalla pagina: www.bowers-wilkins.com/control
- Avviare l'applicazione e seguire le istruzioni a video.

5.2 Configurazione dello Z2 tramite computer Mac o PC

- Scaricare l'applicazione gratuita Bowers & Wilkins Control dal Mac App Store (solo per computer Mac) oppure dalla pagina: www.bowers-wilkins.com/control
- Avviare l'applicazione e seguire le istruzioni a video.

5.3 Configurazione dello Z2 tramite collegamento via cavo

Per configurare l'accesso dello Z2 alla vostra rete senza fili di casa è necessario innanzitutto collegarlo fisicamente ad un Mac/PC tramite un idoneo cavo Ethernet. Disabilitare, se presente, la sezione Wi-Fi del computer come indicato dal produttore. Una volta collegato, entrare nella pagina delle impostazioni dello Z2. La procedura prevede i seguenti i passi:

Nota: AirPlay funziona sia associando Z2 ad una rete wireless, sia ad una rete cablata (Ethernet).

- Scollegare ogni cavo dallo Z2 (compresa l'alimentazione, rimuovendo la spina dell'alimentatore dalla presa elettrica) e togliere un eventuale iPod o iPhone dal connettore.
- Collegare la presa ETHERNET sul retro dello Z2 ad un'equivalente presa del computer utilizzando un idoneo cavo.
- Inserire nuovamente la spina dell'alimentatore nella presa elettrica. Z2 si accende e l'indicatore inizia a pulsare in colore rosso.
- Quando l'indicatore inizia a lampeggiare in giallo nel tentativo di collegarsi alla rete, premere e mantenere premuto per 4 secondi il tasto + del volume sullo Z2. Stabilita la connessione alla rete cablata, l'indicatore si accende in colore viola.
- Aprire sul computer il browser normalmente utilizzato per la navigazione in Internet, comporre nella barra degli indirizzi <http://169.254.1.1> e quindi premere il tasto Invio. Si apre la pagina di configurazione dello Z2.

- La pagina di configurazione offre la possibilità di cambiare il nome col quale Z2 viene identificato in rete. Questa opzione può risultare utile nel caso si posseggano più Z2 connessi alla medesima rete. È possibile, ad esempio, assegnare un nome come *Z2 Cucina* digitandolo nell'apposito campo.

- Selezionare il Nome della vostra rete di casa scegliendolo dal menù a tendina ed inserire la corrispondente Password d'accesso nell'apposito campo assicurandosi di non commettere errori nella digitazione.

- Completata questa fase, premere il tasto Apply (applica) e quindi chiudere la pagina di configurazione dal browser. Da ultimo scollegare il cavo Ethernet (anche ad apparecchi accesi).

- L'indicatore dello Z2 assume stabilmente il colore viola una volta avvenuta la connessione alla rete wireless. Questa operazione può richiedere fino a 3 minuti.

Nota: Se Z2 dovesse fallire il tentativo di connessione alla vostra rete wireless di casa, con ogni probabilità il problema è dovuto ad un errato inserimento della password. Seguire le istruzioni per il ripristino delle impostazioni di fabbrica indicate nella Sezione 7 e ripetere la procedura sopra indicata.

5.4 Configurazione di iTunes

Quando Z2 è connesso alla rete (cablata o senza fili) della vostra casa è possibile impostare iTunes per utilizzarlo come dispositivo di riproduzione. Configurare iTunes selezionando Z2 nell'elenco dei dispositivi di riproduzione nel menù AirPlay. È ora possibile iniziare a riprodurre i file della libreria di iTunes tramite Z2.

Più esemplari di Z2 possono venir connessi alla rete di casa ed utilizzati per riprodurre musica in locali diversi. Ognuno di essi comparirà nell'elenco dei dispositivi di iTunes, identificato dal nome specificato nella pagina di configurazione oppure, se il nome non è stato modificato, dalle ultime tre cifre del loro numero di serie.

Colore dell'indicatore	Significato	Ingresso selezionato
Indicatore spento	Standby	Nessuno
Rosso tenue	Sleep	Nessuno
Rosso pulsante	Accensione	Nessuno
Doppio lampeggio in rosso	Inizio ripristino impostazioni	Nessuno
Blu	Acceso	Connettore iPod/iPhone
Blu con lampeggiamento veloce	Regolazione volume	Connettore iPod/iPhone
Arancio	Acceso	AUX
Arancio con lampeggiamento veloce	Regolazione volume	AUX
Viola	Acceso	AirPlay
Viola con lampeggiamento veloce	Regolazione volume	AirPlay
Viola con lampeggiamento lento	Nessun collegamento alla rete	AirPlay
Rosso con lampeggiamento veloce	Operazioni non valida	Qualsiasi
Giallo con lampeggiamento lento	Configurazione rete wireless	Nessuno
Bianco	Aggiornamento firmware	Nessuno
Bianco lampeggiante	Errore nel firmware	Nessuno

Tabella 1

Colori dell'indicatore luminoso e loro significato

6. Aggiornamento firmware

Occasionalmente potranno essere rilasciati aggiornamenti per il firmware dello Z2, disponibili per il download alla sezione supporto della pagina supporto dello Z2 sul sito Bowers & Wilkins.

7. Ripristino delle impostazioni di fabbrica

Z2 possiede un tasto per il ripristino (RESET) delle impostazioni di fabbrica accessibile tramite un piccolo foro situato sul pannello posteriore, come illustrato in Figura 6. Per azzerare le configurazioni di rete (ingresso AirPlay), assicurarsi che il cavo di alimentazione sia collegato ed accendere Z2. Quindi premere e mantenere premuto il tasto di ripristino per 2 secondi. L'indicatore luminoso emette due lampi in colore rosso.

8. Pulizia

Per la pulizia dello Z2 utilizzare un panno morbido. Se si desidera impiegare un detergente, cospargerlo sul panno e non direttamente sull'apparecchio. È consigliabile comunque provare il prodotto in una piccola zona poco in vista, dal momento che taluni detersivi troppo aggressivi possono rovinare la finitura. Evitare in ogni caso prodotti abrasivi o contenenti acidi, alcali o agenti antibatterici.

9. Risoluzione dei problemi

In caso di necessità, per identificare un possibile problema o ottenere risposta ad una domanda, consultare la guida alla risoluzione dei problemi o le domande e risposte più frequenti reperibili nella sezione supporto relativa allo Z2 sul sito:

www.bowers-wilkins.com

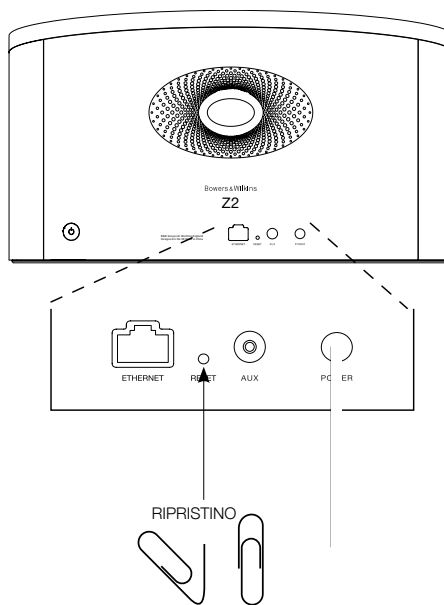


Figura 6
Ripristino impostazioni di fabbrica

Caratteristiche tecniche

Modello	Z2
Descrizione	Sistema di altoparlanti per per iPod®/iPhone®
Caratteristiche	Tecnologia AirPlay® di Apple® Connettore Lightning™ Elaborazione digitale del segnale (DSP) Amplificazione digitale di alta qualità in classe D Alimentazione a commutazione (SMPS) Condotto Flowport™ Telecomando
Trasduttori	2 altoparlanti a gamma estesa da 87,5 mm
Risposta in frequenza	50 Hz – 20 kHz ±3dB sull'asse di riferimento
Gamma di frequenze	-6dB a 42 Hz e 22 kHz
Potenza amplificazione	2 x 20 W
Alimentazione	100 – 240 V AC; 50/60 Hz
Assorbimento alla potenza dichiarata	36 W
Assorbimento in standby	<0,5 W
Temperatura di funzionamento	L'apparecchio è progettato per funzionare in ambienti con temperatura fino a 45°C
Ingressi	Connettore Lightning™ Rete cablata (Ethernet con RJ-45) o Wi-Fi Aux analogico con mini jack ø 3,5 mm
Altezza	180 mm
Larghezza	320 mm
Profondità	100 mm
Peso netto	2,6 kg
Mobile	ABS rinforzato con fibra di vetro
Griglia	Metallica nera
Compatibilità con dispositivi Apple	Il connettore Lightning è compatibile con iPhone 5, iPod touch (5ª generazione) ed iPod nano (7ª generazione). AirPlay funziona con iPhone, iPod touch ed iPad con sistema operativo iOS 4.3.3 o successivo, Mac con sistema operativo OS X Mountain Lion, oppure Mac e PC che utilizzano iTunes 10.2.2 o successivo.

Welkom bij Bowers & Wilkins en Z2

Dank je wel voor je keuze voor Bowers & Wilkins. Toen John Bowers zijn bedrijf oprichtte, was hij ervan overtuigd dat hij de consument met fantasierijke ontwerpen, innovatieve engineering en geavanceerde technologie meer van audio in de thuisomgeving zou kunnen laten genieten. Wij delen deze overtuiging nog altijd; elke product dat wij ontwerpen is hierop geïnspireerd.

Z2 is meer dan zomaar een docking-station voor een iPod®. Naast muziek vanaf je iPod of iPhone® beluisteren kun je hiermee:

- via een bedrade of draadloze netwerkverbinding audio rechtstreeks vanaf iTunes® afspelen.
- verbinding maken met een externe audiobron zoals een tv of draagbare, niet-USB muziekspeler en de audio daarvan weergeven.

In deze handleiding staat alles wat je moet weten om optimaal van de Z2 te kunnen genieten. Ten eerste beschrijven we de inhoud van de verpakking.



1. Inhoud verpakking Z2

1. Z2
2. Voeding
3. Afstandsbediening
4. Documentatie

Milieu-informatie

Dit product voldoet aan internationale regelgeving, zoals onder andere de BGS-richtlijn inzake beperkingen op het gebruik van bepaalde gevaarlijke stoffen in elektrische en elektronische apparatuur, de REACH-verordening inzake de registratie en beoordeling van en de autorisatie en beperkingen ten aanzien van chemische stoffen en de AEEA-richtlijn betreffende afgedankte elektrische en elektronische apparatuur. Neem contact op met de lokale instantie die verantwoordelijk is voor afvalverwerking voor informatie over hoe je dit product op de juiste wijze kunt recycleren of afdanken.

De Lightning-connector werkt met een iPhone 5, iPod touch (5e generatie) en iPod nano (7e generatie).

AirPlay werkt met een iPhone, iPod touch en iPad met iOS 4.3.3 of hoger, een Mac met OS X Mountain Lion, of een Mac of pc met iTunes 10.2.2 of hoger.



2. Verbinding maken met de Z2

Je kunt op drie manieren verbinding maken met de Z2:

- met behulp van AirPlay®.
- met de Lightning™-connector.
- met de AUX-ingang.

In afbeelding 1 zijn de aansluitingen op het achterpaneel van de Z2 te zien.

Verbinding via AirPlay

De Z2 kan met behulp van AirPlay-streamingtechnologie zowel via een draadloze als een bedrade (ethernet-) verbinding audio vanaf iTunes weergeven. Als je op hetzelfde netwerk zowel je Z2 hebt aangesloten als een computer met iTunes, kan je Z2 als output optie verschijnen in het Airplay pop-up menu. Zie hoofdstuk 5 voor informatie over het configureren van de Z2 om hem te verbinden met je thuisnetwerk en over hoe je iTunes kunt configureren om de nummers via de Z2 af te spelen.

Opmerking: Controleer of je de nieuwste versie van iTunes hebt geïnstalleerd.

Opmerking: Er is een standaard ethernetkabel nodig om je Z2 met een ethernet-netwerk te verbinden.

Naast het streamen van audio vanaf iTunes, maakt AirPlay het ook mogelijk om audio rechtstreeks vanaf een iPod touch, iPhone of iPad® naar je Z2 te streamen. Elke iPod touch-, iPhone- of iPad-applicatie met volumeregeling heeft een extra pictogram waarmee eventueel beschikbare externe luidsprekers kunnen worden geselecteerd. Alle AirPlay-apparaten binnen het draadloze bereik worden op de keuzelijst vermeld.

Lightning Connector

De Lightning Connector van de Z2 is compatibel met iPhone 5, iPod touch (5e generatie) en iPod nano (7e generatie). Oudere modellen of alternatieve muziek spelers kunnen worden gebruikt d.m.v. de hoofdtelefoonaansluiting aan te sluiten op de Aux input aan de achterzijde van de Z2. iPhone en iPod modellen worden opgeladen terwijl ze op de dock zijn geplaatst (zowel in slaap/standby modus als tijdens het actief gebruiken van de Z2)

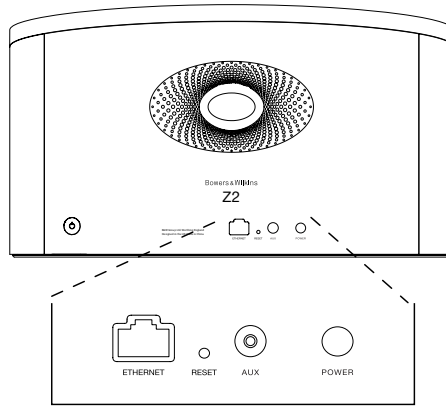
AUX-ingang

Je kunt naar een externe analoge bron luisteren door deze met een analoge kabel met een mini-jackplug op de AUX-ingang op je Z2 aan te sluiten.

Voedingsingang (POWER)

Sluit de voedingskabel van je Z2 op een stopcontact aan. Als je Z2 voor het eerst op het stroomnet wordt aangesloten, start hij automatisch op en knippert het indicatielampje rood.

Opmerking: In de tabel in hoofdstuk 4 vind je alle kleurcodes van het indicatielampje van je Z2 met de bijbehorende betekenissen.



Afbeelding 1
Achterpaneel Z2

3. Je Z2 bedienen

Je kunt de Z2 bedienen met de knoppen op het apparaat of met de afstandsbediening. Om de afstandsbediening te gebruiken, moet je eerst het lipje verwijderen dat voorkomt dat de batterij contact maakt. Dit wordt getoond in afbeelding 3. Op afbeelding 4 zijn de functies van de bedieningsknoppen te zien.



3.1 In- en uitschakelen

Naast de normale bedrijfsstand heeft de Z2 zowel een stand-by- als een slaapstand. In de stand-by-stand worden alle functies van de Z2 uitgeschakeld en wordt het stroomverbruik geminimaliseerd. In de slaapstand blijft de draadloze functie van je Z2 met het netwerk verbonden. In de slaapstand brandt het indicatielampje op de Z2 gedimd rood en in de stand-by-stand gaat het lampje uit.

Je kunt je Z2 met de volgende handelingen vanuit de stand-by-stand inschakelen:

- De stand-by-knop  op de Z2 indrukken.
- Een iPod of iPhone in het docking-station plaatsen.

Je kunt je Z2 met de volgende handelingen vanuit de slaapstand inschakelen:

- De stand-by-knop  op de Z2 indrukken.
- De stand-by-knop  op de afstandsbediening indrukken.
- Een iPod of iPhone in het docking-station plaatsen.
- Muziek met AirPlay naar je Z2 streamen.
- Via de AUX-ingang muziek afspelen.

Als je Z2 vanuit de stand-by- of slaapstand wordt ingeschakeld, wordt de laatst gebruikte ingang gebruikt, als deze nog aangesloten is. Als de laatst gebruikte ingang niet meer aangesloten is, scant je Z2 automatisch zijn AUX-, Dock- en AirPlay-ingangen en selecteert hij de eerste aangesloten ingang die hij vindt. Het indicatielampje op de Z2 verandert dan naar de kleur van de geselecteerde ingang. Als er geen aangesloten ingang wordt gevonden, selecteert je Z2 standaard de AirPlay-ingang.

Opmerking: Als je Z2 voor het eerst wordt ingeschakeld en de AirPlay-ingang niet is ingesteld, knippert het indicatielampje geel.

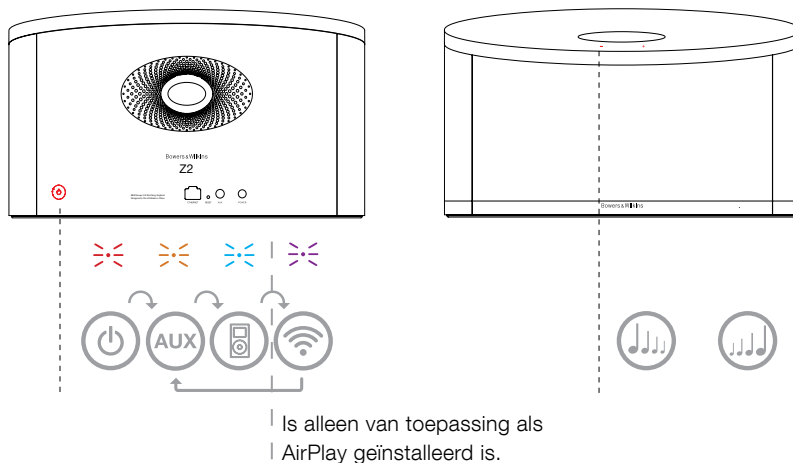
Opmerking: In de tabel in hoofdstuk 4 staan alle kleurcodes van het indicatielampje op je Z2 en de bijbehorende betekenissen beschreven.

Je kunt je Z2 op twee manieren in de slaapstand schakelen: door de stand-by-knop op je Z2 2 seconden ingedrukt te houden of met de stand-by-knop op de afstandsbediening. Het indicatielampje op je Z2 gaat gedimd rood branden.

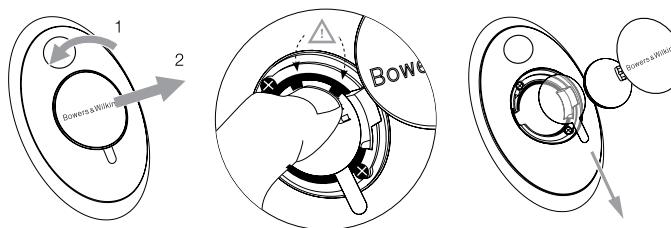
Je kunt je Z2 in de stand-by-stand schakelen door de stand-by-knop op je Z2 4 seconden ingedrukt te houden. Het indicatielampje op je Z2 gaat uit.

Opmerking: het is niet mogelijk om je Z2 met de afstandsbediening in de stand-by-stand te schakelen.

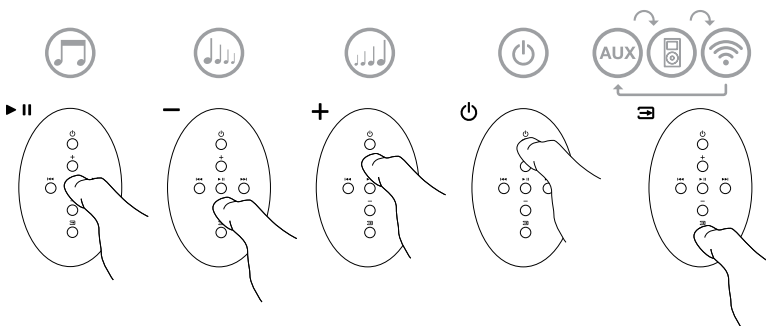
Opmerking: je Z2 schakelt automatisch naar de slaapstand als hij langer dan 30 minuten niet actief is.



Afbeelding 2
De knoppen op je Z2



Afbeelding 3
Het lipje onder de batterij verwijderen



Afbeelding 4
De knoppen op de afstandsbediening

3.2 Functies Z2

Afbeelding 5 toont de aansluitmogelijkheden van je Z2.

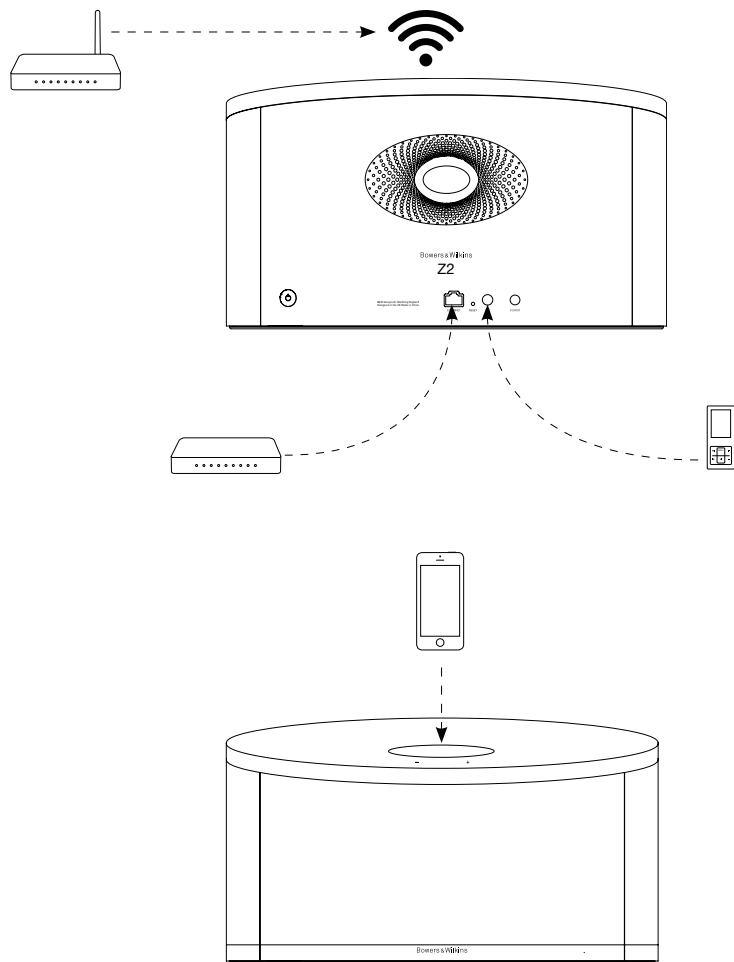
Met je Z2 ingeschakeld vanuit de stand-by- of de slaapstand:

- kun je naar audio vanaf je iPod of iPhone luisteren.
- kun je je Z5 met een bedraad of draadloos netwerk verbinden en via AirPlay audio streamen.
- kun je via de ingang AUX op je Z2 naar andere analoge audiobronnen luisteren.
- kun je het volume regelen met de volumeknoppen op de Z2 of op de afstandsbediening.
- kun je, als er een iPod of iPhone in het dock zit of als je Z2 via AirPlay met iTunes is verbonden, de knop voor Afspelen/Pauzeren op de afstandsbediening gebruiken om muziek af te spelen of te pauzeren of kun je met de knoppen voor Volgend en Vorig het volgende of vorige nummer kiezen.
- kun je de Inputknop op de afstandsbediening of de Stand-by-knop op je Z2 sequentieel gebruiken om aangesloten ingangen te selecteren.

3.3 Automatisch schakelen tussen ingangen

In bepaalde omstandigheden schakelt je Z2 automatisch naar de AirPlay-ingang over of schakelt hij zichzelf in vanuit de slaapstand:

- Als op de AirPlay-ingang vanaf iTunes gestreamde audio aanwezig is op het moment dat de dock-ingang geselecteerd is en een iPod of iPhone in het dock stopt met audio afspelen, wordt de AirPlay-ingang automatisch geselecteerd.
- Als op de AirPlay-ingang vanaf iTunes gestreamde audio aanwezig is op het moment dat de AUX-ingang geselecteerd wordt, maar hierover geen audio wordt afgespeeld, wordt de AirPlay-ingang automatisch geselecteerd.
- Als op de AirPlay-ingang vanaf iTunes gestreamde audio aanwezig is op het moment dat je Z2 in de slaapstand staat, schakelt je Z2 automatisch in en speelt hij de gestreamde audio af.
- Als je Z2 langer dan één minuut in de slaapstand staat en er via de AUX-ingang een audiosignaal wordt gedetecteerd, schakelt je Z2 automatisch in en geeft hij het via de AUX-ingang ontvangen audiosignaal weer.



Afbeelding 5
Aansluitmogelijkheden Z2

4. Het indicatielampje op de Z2

Het indicatielampje op de Z2 kan met allerlei verschillende kleuren branden. Deze geven de status van de Z2 aan. Deze kleuren en hun betekenissen worden in tabel 1 beschreven.

5. Verbinding maken met draadloze netwerken en iTunes configureren

Om de iTunes-muziek met AirPlay op je Z2 te kunnen afspelen, moet de Z2 op hetzelfde netwerk zijn aangesloten als de computer waarop iTunes geïnstalleerd is en draait. Op je Z2 is de netwerkadressering ingesteld op DHCP. Dit betekent dat, zodra je Z2 verbinding heeft gemaakt met het draadloze netwerk, verdere configuratie niet meer nodig is. Voordat je start, moet je wel de naam van het draadloze netwerk in je huis en het wachtwoord weten.

5.1 De Z2 installeren voor het gebruik van je iOS-apparaat (iPod touch, iPad of iPhone)

- Download de 'Bowers & Wilkins Control' App in de App Store of ga naar www.bowers-wilkins.com/control
- Volg de aanwijzingen op het scherm.

5.2 Installeren voor gebruik in combinatie met een Mac of pc

- Download de 'Bowers & Wilkins Control' App in de App Store of ga naar www.bowers-wilkins.com/control
- Volg de aanwijzingen op het scherm.

5.3 De Z2 installeren met een bedrade verbinding

Om te zorgen dat je Z2 verbinding kan maken met je draadloze netwerk, moet je hem eerst met een ethernetkabel fysiek op een Mac/pc aansluiten. Zorg ervoor dat de draadloze functies van de Mac/pc uitgeschakeld zijn. Na het aansluiten kun je met de browser naar de Z2-installatiepagina gaan. Volg de onderstaande stappen.

Opmerking: je Z2 kan ook een bedraad netwerk gebruiken voor streamen via AirPlay.

- Verwijder alle kabels uit de Z2 en neem, indien van toepassing, je iPod of iPhone uit het dock.
- Sluit de ingang ETHERNET op het achterpaneel van je Z2 via een ethernetkabel aan op een ethernetingang op de computer.
- Sluit de voedingskabel aan. Je Z2 wordt ingeschakeld en het indicatielampje gaat knipperend rood branden.
- Wacht tot het indicatielampje op je Z2 geel begint te knipperen en druk de volumeknop '+' op je Z2 in en houd deze 4 seconden ingedrukt. Het indicatielampje van je Z2 gaat paars branden als de verbinding met het bedrade netwerk gemaakt is.
- Open een internetbrowser op de computer die is aangesloten op je Z2, typ het standaardnetwerkadres voor je Z2 (<http://169.254.1.1>) in de adresbalk van de browser en druk op de "Enter"-knop op je computer. Nu wordt de Z2-installatiepagina geopend.
- Op de installatiepagina kun je de naam van je Z2 wijzigen. Dit is bijvoorbeeld handig als er meer dan één Z2 op het netwerk moet worden aangesloten. Voer een nieuwe naam (bijvoorbeeld Z2 Keuken) in het vak voor de naam ['Name'] in.

- Selecteer de naam van het netwerk in je huis uit de keuzelijst en voer het wachtwoord in het desbetreffende vak in. Typ het wachtwoord correct in.
- Klik daarna op de knop Toepassen ['Apply'] en sluit de Z2-installatiepagina. Maak de ethernetkabel los.
- Het indicatielampje van je Z2 gaat constant paars branden als de draadloze verbinding met het netwerk gemaakt is. Dit duurt maximaal 3 minuten.

Opmerking: Als je Z2 geen verbinding kan maken met je draadloze netwerk, heb je waarschijnlijk niet het juiste netwerk wachtwoord ingevoerd. Volg de instructies voor het herstellen van de fabrieksinstellingen uit hoofdstuk 7 en start de netwerkinstallatieprocedure vanaf het begin.

5.4 iTunes configureren

Als je Z2 verbinding heeft met je (bedrade of draadloze) thuisnetwerk, kun je iTunes configureren om je Z2 als uitvoerapparaat te gebruiken. Selecteer Z2 als een output optie in het pop-up menu. Je Z2 laat nu je iTunes horen.

Er kunnen meerdere Z2's met het draadloze netwerk worden verbonden. Je kunt deze gebruiken om in verschillende vertrekken audio af te spelen. Elke Z2 is in het apparatenmenu van iTunes te zien onder de naam die is opgegeven op de installatiepagina of, standaard, met de laatste drie cijfers van het serienummer.

Kleur indicatielampje	Betekenis	Geselecteerde ingang
Uit	Stand-by	N.v.t.
Gedimd rood	In slaapstand	N.v.t.
Knipperend rood	Aan het opstarten	N.v.t.
Twee keer rood knipperend	Resetten gestart	N.v.t.
Blauw	Aan	Dock
Snel knipperend blauw	Volumeregeling	Dock
Oranje	Aan	Aux
Snel knipperend oranje	Volumeregeling	Aux
Paars	Aan	AirPlay
Snel knipperend paars	Volumeregeling	AirPlay
Langzaam knipperend paars	Geen netwerkverbinding	AirPlay
Snel knipperend rood	Ongeldige bediening	Alle
Langzaam knipperend geel	Draadloze installatiemodus	N.v.t.
Wit	Firmware-update	N.v.t.
Knipperend wit	Firmwarefout	N.v.t.

Tabel 1
Kleuren en betekenissen indicatielampje

6. Firmware-update voor de Z2

Af en toe komen er firmware-updates voor de Z2 uit. Je kunt deze downloaden onder de rubriek voor Z2-ondersteuning op de website van Bowers & Wilkins.

7. Fabrieksinstellingen Z2 herstellen

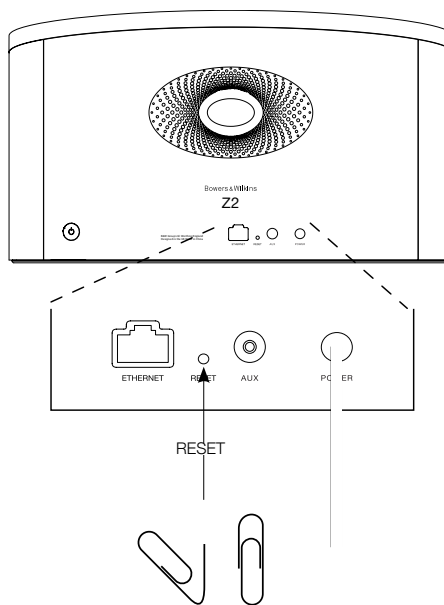
Je Z2 heeft een verborgen resetknopje in een opening op het achterpaneel. Dit is aangegeven in afbeelding 6. Om de netwerkinstellingen van je Z2 (AirPlay-ingang) terug te zetten naar de standaardfabrieksinstellingen, moet de voedingskabel zijn aangesloten. Schakel je Z2 vervolgens in. Druk het resetknopje in en houd het 2 seconden ingedrukt. Het indicatielampje knippert twee maal rood.

8. De Z2 schoonmaken

Veeg je Z2 met een pluisvrije doek schoon. Als je een schoonmaakmiddel wilt gebruiken, breng dit dan op de poetsdoek aan en niet rechtstreeks op je Z2. Probeer het middel eerst op een onopvallend plekje uit. Sommige schoonmaakproducten tasten sommige oppervlakken namelijk aan. Gebruik geen schurende producten of producten met zure, alkalische of antibacteriële werkstoffen.

9. Problemen oplossen

Als je hulp nodig hebt bij het oplossen van een specifiek probleem, of een vraag hebt waarvoor je een antwoord zoekt, raadpleeg dan de rubrieken over problemen oplossen of de vaak gestelde vragen op de pagina voor productondersteuning voor de Z2 op onze website: www.bowers-wilkins.nl



Afbeelding 6
Fabrieksinstellingen Z2 herstellen

Technische gegevens

Model	Z2
Beschrijving	Draadloos muzieksysteem
Technische kenmerken	Apple® AirPlay®-technologie Lightning™-connector Digitale signaalverwerking (DSP) Hoogwaardige klasse D-versterker Schakelende voeding Flowport™ Afstandsbediening
Driver-units	2x 87,5 mm (3.5") middenbereik
Frequentierespons	50 Hz – 20k Hz ±3 dB op de referentieas
Frequentiebereik	-6 dB bij 42 Hz en 22 kHz
Versterkervermogen	2x 20 W
Ingangsspanning	100V – 240V ~ 50/60Hz
Nominaal opgenomen vermogen	36 W
Stand-by opgenomen vermogen	<0,5 W
Bedrijfstemperatuur	Dit product is ontworpen voor gebruik bij een omgevingstemperatuur van max. 45°C
Ingangen	Lightning™-connector Netwerk (RJ45 Ethernet of wi-fi) AUX – analoog (3,5 mm mini-jack)
Hoogte	180 mm
Breedte	320 mm
Diepte	100 mm
Nettogewicht	2,6 kg
Behuizing	Met glas versterkt ABS
Grilles	Metaal
Compatibiliteit met Apple	De Lightning-connector werkt met een iPhone 5, iPod touch (5e generatie) en iPod nano (7e generatie). AirPlay werkt met een iPhone, iPod touch en iPad met iOS 4.3.3 of hoger, een Mac met OS X Mountain Lion, of een Mac of pc met iTunes 10.2.2 of hoger.

Καλωσήρθατε στη Bowers & Wilkins και στο Z2

Σας ευχαριστούμε που επιλέξατε την Bowers & Wilkins. Ο John Bowers ίδρυσε την εταιρεία μας με την πεποίθηση ότι η ευφάνταστη σχεδίαση, η καινοτομία στην ανάπτυξη και η εξελιγμένη τεχνολογία θα ήταν τα «κλειδιά» που θα προσέφεραν νέες δυνατότητες απόλαυσης του ήχου στο σπίτι. Εξακολουθούμε να συμμαριζόμαστε αυτή την άποψη, η οποία άλλωστε αποτελεί πηγή έμπνευσης για όλα τα προϊόντα που σχεδιάζουμε.

Το Z2 δεν είναι ένας απλός σταθμός σύνδεσης για iPod®. Εκτός από την ακρόαση των αρχείων ήχου που είναι αποθηκευμένα στο iPod ή το iPhone® σας, μπορείτε επίσης να το χρησιμοποιήσετε για τα παρακάτω:

- Αναπαραγωγή ήχου απευθείας από το iTunes®, μέσω ενσύρματης ή ασύρματης διαδικτυακής σύνδεσης.
- Σύνδεση και ακρόαση εξωτερικής πηγής ήχου, όπως τηλεόραση ή φορητή συσκευή αναπαραγωγής ήχου που δεν διαθέτει θύρα USB.

Σε αυτό το εγχειρίδιο θα μάθετε όλα όσα πρέπει να γνωρίζετε για να αξιοποιήσετε στο έπακρο το Z2. Αρχίζει με την περιγραφή του περιεχομένου της συσκευασίας του Z2.



1. Περιεχόμενο συσκευασίας του Z2

1. Z2
2. Παροχή ρεύματος
3. Τηλεχειριστήριο
4. Πακέτο εντύπων τεκμηρίωσης

Πληροφορίες σχετικά με το περιβάλλον

Αυτό το προϊόν συμμορφώνεται με τις διεθνείς οδηγίες, συμπεριλαμβανομένης ενδεικτικά, χωρίς περιορισμό, της οδηγίας Restriction of Hazardous Substances (RoHS) για τον ηλεκτρικό και τον ηλεκτρονικό εξοπλισμό, της οδηγίας Registration, Evaluation, Authorisation and restriction of Chemicals (REACH) περί χημικών, καθώς και της οδηγίας Waste Electrical and Electronic Equipment (WEEE) περί απόρριψης ηλεκτρικού και ηλεκτρονικού εξοπλισμού. Συμβουλευτείτε τις αρμόδιες τοπικές αρχές για την απόρριψη αποβλήτων για οδηγίες σχετικά με τη σωστή ανακύκλωση ή την απόρριψη αυτού του προϊόντος.

Το βύσμα lightning λειτουργεί με τα iPhone 5, iPod touch (5ης γενιάς) και iPod nano (7ης γενιάς).

Το AirPlay λειτουργεί με συσκευές iPhone, iPod touch και iPad, που διαθέτουν σύστημα iOS 4.3.3 ή μεταγενέστερο, με υπολογιστή Mac με λειτουργικό σύστημα OS X Mountain Lion ή με υπολογιστή Mac και υπολογιστή συμβατό με iTunes 10.2.2 ή μεταγενέστερο.



2. Σύνδεση στο Z2

Μπορείτε να κάνετε σύνδεση με το Z2 με τρεις διαφορετικούς τρόπους:

- Χρησιμοποιώντας το AirPlay®.
- Χρήση του βύσματος Lightning™.
- Χρησιμοποιώντας την είσοδο Auxiliary (βοηθητική).

Το Διάγραμμα 1 απεικονίζει τις υποδοχές σύνδεσης στο πίσω μέρος του Z2.

Σύνδεση του AirPlay

Το Z2 έχει δυνατότητα αναπαραγωγής ήχου από το iTunes, είτε μέσω ασύρματης ή μέσω ενσύρματης (Ethernet) σύνδεσης χρησιμοποιώντας την τεχνολογία συνεχούς ροής δεδομένων AirPlay. Όταν είναι συνδεδεμένο στο ίδιο δίκτυο με κάποιον υπολογιστή που χρησιμοποιεί το iTunes, το Z2 μπορεί να εμφανίζεται ως επιλογή εξόδου στο αναδυόμενο μενού του AirPlay. Ανατρέξτε στην ενότητα 5, για πληροφορίες σχετικά με τη ρύθμιση του Z2 έτσι ώστε να συνδεθεί με το οικιακό σας δίκτυο, καθώς και για τη ρύθμιση του iTunes ώστε να εκτελεί αναπαραγωγή αρχείων μέσω του Z2.

Σημείωση: Βεβαιωθείτε ότι έχετε εγκαταστήσει την τελευταία έκδοση του iTunes.

Σημείωση: Εάν θέλετε να συνδέσετε το Z2 σε δίκτυο Ethernet, χρειάζεται ένα συνηθισμένο καλώδιο Ethernet.

Εκτός από τη συνεχή ροή ήχου από το iTunes, το AirPlay παρέχει επίσης δυνατότητα για συνεχή ροή ήχου απευθείας στο Z2 από συσκευές iPod touch, iPhone ή iPad®. Οποιαδήποτε εφαρμογή iPod, iPhone ή iPad που ενσωματώνει χειριστήριο της έντασης του ήχου θα διαθέτει ένα πρόσθετο εικονίδιο που επιτρέπει την επιλογή των διαθέσιμων απομακρυσμένων ηχείων για αναπαραγωγή. Όλες οι συσκευές Airplay εντός της εμβέλειας του ασύρματου δικτύου θα συμπεριλαμβάνονται στη λίστα επιλογής.

Θύρα σύνδεσης Lightning

Η θύρα σύνδεσης Lightning του Z2 είναι συμβατή με iPhone 5, iPod touch (5ης γενιάς) και iPod nano (7ης γενιάς). Μπορείτε να χρησιμοποιήσετε παλαιότερα μοντέλα iPod ή iPhone ή άλλες συσκευές αναπαραγωγής ήχου συνδέοντας τις υποδοχές των ακουστικών τους στην είσοδο Aux που υπάρχει στο πίσω μέρος του Z2. Τα μοντέλα iPhone και iPod φορτίζονται όταν είναι συνδεδεμένα στο σταθμό σύνδεσης και εφόσον το Z2 είναι ενεργοποιημένο ή βρίσκεται σε κατάσταση αδράνειας ή στη λειτουργία Αναμονής.

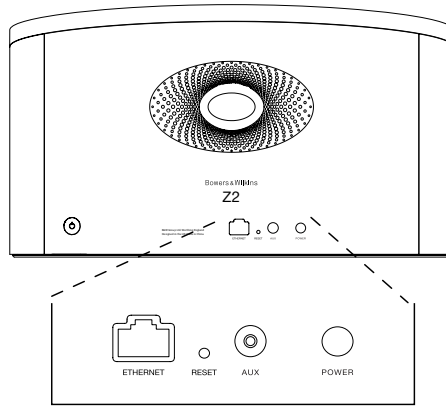
Είσοδος Auxiliary (AUX)

Εάν θέλετε να ακούσετε ήχο από εξωτερική αναλογική πηγή, συνδέστε την στην υποδοχή AUX του Z2 χρησιμοποιώντας ένα αναλογικό καλώδιο με μίνι βύσμα.

Τροφοδοσία ρεύματος (POWER)

Συνδέστε το Z2 σε μια πρίζα ρεύματος χρησιμοποιώντας την παροχή ρεύματος. Την πρώτη φορά που θα συνδεθεί στην παροχή ρεύματος, το Z2 θα αρχίσει να ενεργοποιείται αυτόματα και η ενδεικτική λυχνία θα αναβοσβήνει με κόκκινο χρώμα.

Σημείωση: Στον πίνακα της Ενότητας 4 περιγράφονται όλα τα χρώματα της ενδεικτικής λυχνίας του Z2 και η σημασία τους.



Διάγραμμα 1
Πίσω μέρος του Z2

3. Χρήση του Z2

Μπορείτε να χειρίζεστε το Z2 είτε από τα χειριστήρια που περιλαμβάνει είτε από το τηλεχειριστήριο. Εάν πρόκειται να χρησιμοποιήσετε το τηλεχειριστήριο, πρέπει πρώτα να αφαιρέσετε τη γλωττίδα μόνωσης της μπαταρίας. Αυτή απεικονίζεται στο Διάγραμμα 3. Το Διάγραμμα 4 απεικονίζει τις βασικές λειτουργίες ελέγχου.

3.1 Ενεργοποίηση και απενεργοποίηση

Εκτός από την κανονική κατάσταση λειτουργίας, το Z2 διαθέτει λειτουργία Αναμονής και κατάσταση Αδράνειας. Στη λειτουργία Αναμονής, όλες οι λειτουργίες του Z2 είναι απενεργοποιημένες και ελαχιστοποιείται η κατανάλωση ρεύματος. Στην κατάσταση Αδράνειας, η λειτουργία ασύρματου δικτύου του Z2 παραμένει συνδεδεμένη με το δίκτυο. Όταν το Z2 βρίσκεται στην κατάσταση Αδράνειας, η ενδεικτική λυχνία του έχει αχνό κόκκινο χρώμα, ενώ σβήνει όταν το Z2 περάσει στη λειτουργία Αναμονής.

Μπορείτε να ενεργοποιήσετε το Z2 όταν βρίσκεται σε λειτουργία Αναμονής εκτελώντας τις παρακάτω ενέργειες:

- Πατώντας το κουμπί Αναμονής του Z2.
- Με τη σύνδεση ενός iPod ή iPhone στο σταθμό σύνδεσης.

Μπορείτε να ενεργοποιήσετε το Z2 όταν βρίσκεται στην κατάσταση Αδράνειας εκτελώντας τις παρακάτω ενέργειες:

- Πατώντας το κουμπί Αναμονής του Z2.
- Πατώντας το κουμπί Αναμονής στο τηλεχειριστήριο.
- Με τη σύνδεση ενός iPod ή iPhone στο σταθμό σύνδεσης.
- Χρησιμοποιώντας τη δυνατότητα συνεχούς ροής μουσικής από το Airplay προς το Z2.
- Αναπαράγοντας μουσική μέσω της εισόδου AUX.

Όταν το Z2 ενεργοποιηθεί από τη λειτουργία Αναμονής ή την κατάσταση Αδράνειας, θα επιλεγεί η τελευταία είσοδος που χρησιμοποιήθηκε, εάν εξακολουθεί να είναι συνδεδεμένη. Εάν η τελευταία είσοδος που χρησιμοποιήθηκε δεν είναι πλέον συνδεδεμένη, το Z2 θα σαρώσει αυτόματα τις εισόδους AUX, Dock και AirPlay και θα επιλέξει την πρώτη συνδεδεμένη είσοδο που θα εντοπίσει. Η ενδεικτική λυχνία του Z2 θα πάρει το χρώμα που υποδεικνύει την επιλεγμένη είσοδο. Εάν δεν εντοπιστεί συνδεδεμένη είσοδος, το Z2 θα επιλέξει από προεπιλογή την είσοδο AirPlay.

Σημείωση: Την πρώτη φορά που θα ενεργοποιηθεί, εάν δεν έχει ρυθμιστεί η είσοδος AirPlay, η ενδεικτική λυχνία θα αναβοσβήνει με κίτρινο χρώμα.

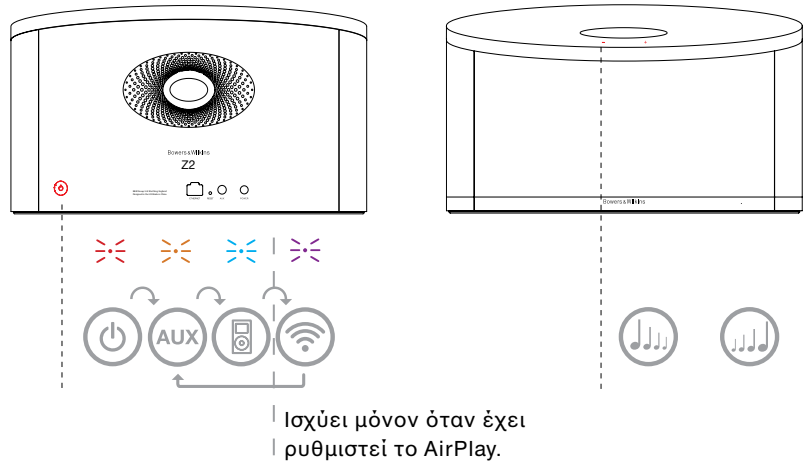
Σημείωση: Στον πίνακα της Ενότητας 4 περιγράφονται όλα τα χρώματα της ενδεικτικής λυχνίας του Z2 και η σημασία τους.

Προκειμένου το Z2 να μεταβεί στην κατάσταση Αδράνειας μπορείτε να πατήσετε είτε το πλήκτρο Αναμονής του τηλεχειριστηρίου ή πατήστε και κρατήστε πατημένο το κουμπί Αναμονής του Z2 επί 2 δευτερόλεπτα. Η ενδεικτική λυχνία του Z2 θα ανάβει με αχνό κόκκινο χρώμα.

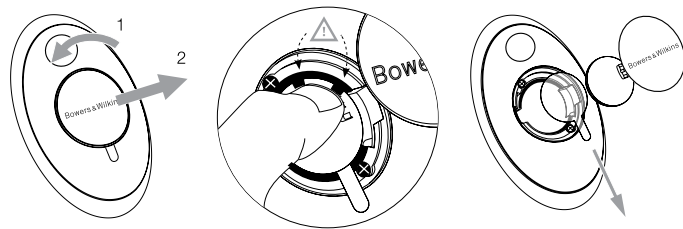
Προκειμένου το Z2 να μεταβεί σε λειτουργία Αναμονής, πατήστε και κρατήστε πατημένο το κουμπί Αναμονής του Z2 επί 4 δευτερόλεπτα. Η ενδεικτική λυχνία του Z2 θα σβήσει.

Σημείωση: Δεν μπορείτε να θέσετε το Z2 σε λειτουργία Αναμονής χρησιμοποιώντας το τηλεχειριστήριο.

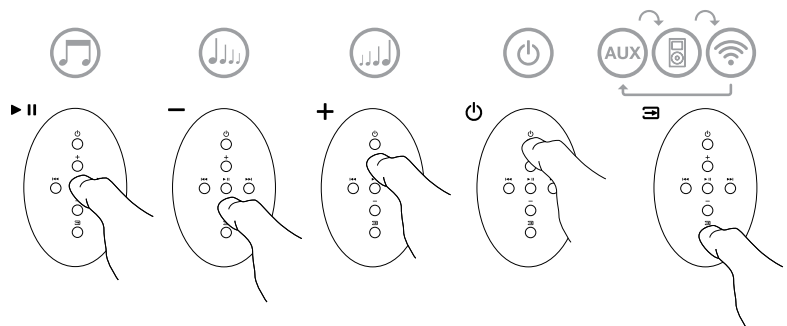
Σημείωση: Το Z2 θα μεταβεί αυτόματα στην κατάσταση Αδράνειας εάν μείνει ανενεργό για περισσότερο από 30 λεπτά.



Διάγραμμα 2
Περιγραφή των χειριστηρίων του Z2



Διάγραμμα 3
Αφαίρεση της γλωττίδας μόνωσης της μπαταρίας του Z2



Διάγραμμα 4
Περιγραφή του τηλεχειριστηρίου του Z2

3.2 Λειτουργίες του Z2

Το Διάγραμμα 5 απεικονίζει τη συνδεσιμότητα του Z2.

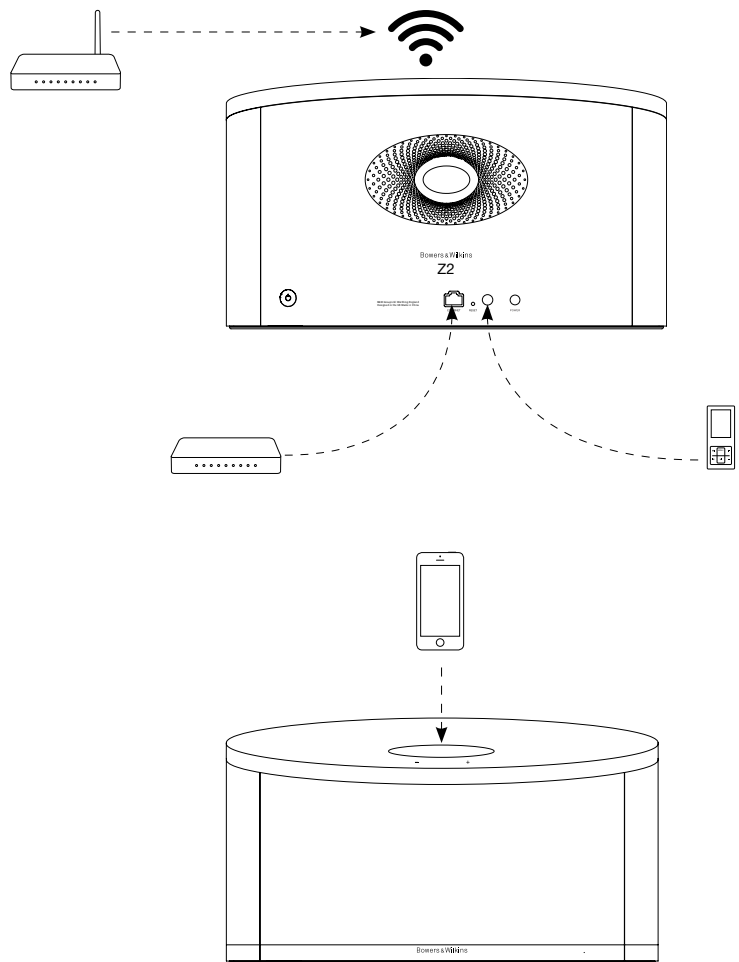
Όταν το Z2 ενεργοποιηθεί από τη λειτουργία Αναμονής ή την κατάσταση Αδράνειας:

- Μπορείτε να ακούσετε αρχεία ήχου από το iPod ή το iPhone σας.
- Μπορείτε να συνδεθείτε σε ενσύρματο ή ασύρματο δίκτυο και να ακούσετε ήχο μέσω συνεχούς ροής από το AirPlay.
- Μπορείτε να ακούτε ήχο από άλλες αναλογικές πηγές μέσω της εισόδου AUX του Z2.
- Μπορείτε να χρησιμοποιείτε τα πλήκτρα ρύθμισης της έντασης του ήχου του τηλεχειριστηρίου ή τα κουμπιά ρύθμισης έντασης του ήχου του Z2 για να ελέγχετε τον ήχο.
- Εάν υπάρχει ένα iPod ή ένα iPhone στο σταθμό σύνδεσης ή εάν το Z2 είναι συνδεδεμένο στο iTunes μέσω του AirPlay, μπορείτε να χρησιμοποιήσετε το πλήκτρο Αναπαραγωγής/Παύσης του τηλεχειριστηρίου για αναπαραγωγή ή παύση του ήχου ή τα πλήκτρα Επόμενο και Προηγούμενο για να επιλέξετε το επόμενο ή το προηγούμενο κομμάτι.
- Μπορείτε να χρησιμοποιείτε διαδοχικά το πλήκτρο Εισαγωγή του τηλεχειριστηρίου ή το κουμπί Αναμονής του Z2 για να επιλέγετε τις συνδεδεμένες εισόδους.

3.3 Αυτόματη εναλλαγή εισόδου του Z2

Σε ορισμένες περιπτώσεις το Z2 θα περνά αυτόματα στην είσοδο AirPlay ή θα ενεργοποιείται από την κατάσταση Αδράνειας:

- Εάν ο ήχος συνεχούς ροής από το iTunes υπάρχει στην είσοδο του AirPlay όταν επιλεγεί η είσοδος του σταθμού σύνδεσης και κάποιο iPod ή iPhone συνδεδεμένο στο σταθμό σύνδεσης πάψει να αναπαράγει μουσική, θα επιλεγεί αυτόματα η είσοδος AirPlay.
- Εάν ο ήχος συνεχούς ροής από το iTunes υπάρχει στην είσοδο AirPlay όταν επιλεγεί η είσοδος AUX αλλά δεν αναπαράγεται ήχος, θα επιλεγεί αυτόματα η είσοδος AirPlay.
- Εάν ο ήχος συνεχούς ροής από το iTunes υπάρχει στην είσοδο AirPlay όταν το Z2 βρίσκεται στην κατάσταση Αδράνειας, η συσκευή θα ενεργοποιηθεί αυτόματα και θα αρχίσει να εκτελεί αναπαραγωγή ήχου συνεχούς ροής.
- Όταν το Z2 βρίσκεται στην κατάσταση Αδράνειας για περισσότερο από ένα λεπτό και ανιχνεύεται σήμα ήχου μέσω της εισόδου AUX, η συσκευή θα ενεργοποιείται αυτόματα και θα αναπαράγει ήχο από την είσοδο AUX.



Διάγραμμα 5
Συνδεσιμότητα του Z2

4. Η ενδεικτική λυχνία του Z2

Η ενδεικτική λυχνία του Z2 αλλάζει χρώματα, υποδεικνύοντας τις διάφορες συνθήκες λειτουργίας. Στον Πίνακα 1 περιγράφονται τα χρώματα και η σημασία τους.

5. Σύνδεση σε ασύρματα δίκτυα και ρύθμιση του iTunes

Για να αναπαραχθεί μουσική από το iTunes στο Z2 μέσω του AirPlay, το Z2 πρέπει να συνδεθεί στο ίδιο δίκτυο με τον υπολογιστή στον οποίο είναι εγκατεστημένη και λειτουργεί η εφαρμογή iTunes. Η διεύθυνση IP του δικτύου του Z2 έχει οριστεί σε DHCP, που σημαίνει ότι, πραγματοποιηθεί σύνδεση στο ασύρματο δίκτυο, δεν θα χρειαστούν άλλες ρυθμίσεις. Πρωτό ξεκινήσετε θα πρέπει να γνωρίζετε το όνομα και τον κωδικό πρόσβασης στο ασύρματο οικιακό σας δίκτυο.

5.1 Ρύθμιση του Z2 για λειτουργία με συσκευή που διαθέτει σύστημα iOS (iPad touch, iPad ή iPhone)

- Αποκτήστε την εφαρμογή 'Bowers & Wilkins Control' από το App Store ή με μια επίσκεψη στη διαδικτυακή τοποθεσία www.bowers-wilkins.com/control
- Ακολουθήστε τις οδηγίες επί της οθόνης.

5.2 Ρύθμιση για λειτουργία με υπολογιστή Mac ή συμβατό υπολογιστή

- Αποκτήστε την εφαρμογή 'Bowers & Wilkins Control' από το App Store ή με μια επίσκεψη στη διαδικτυακή τοποθεσία www.bowers-wilkins.com/control
- Ακολουθήστε τις οδηγίες επί της οθόνης.

5.3 Ρύθμιση του Z2 χρησιμοποιώντας ενσύρματη σύνδεση

Προκειμένου να ρυθμίσετε το Z2 για να συνδεθεί στο ασύρματο δίκτυό σας, θα πρέπει πρώτα να το συνδέσετε φυσικά στον υπολογιστή Mac/συμβατό υπολογιστή, με ένα καλώδιο Ethernet. Θα πρέπει να διασφαλίσετε ότι έχουν απενεργοποιηθεί οι ασύρματες δυνατότητες του υπολογιστή Mac/συμβατού υπολογιστή. Αφού γίνει η σύνδεση, μπορείτε να περιηγηθείτε στη σελίδα ρύθμισης του Z2. Ακολουθήστε τα βήματα που περιγράφονται παρακάτω.

Σημείωση: Το Z2 μπορεί να χρησιμοποιεί και ενσύρματο δίκτυο για τη συνεχή ροή δεδομένων μέσω AirPlay.

- Αποσυνδέστε όλα τα καλώδια από το Z2, καθώς και τη συσκευή iPod ή iPhone από το σταθμό σύνδεσης, εάν υπάρχει.
- Χρησιμοποιώντας ένα καλώδιο Ethernet συνδέστε την υποδοχή ETHERNET που βρίσκεται στο πίσω μέρος του Z2 με μια υποδοχή Ethernet του υπολογιστή.
- Συνδέστε το καλώδιο ρεύματος. Το Z2 θα ενεργοποιηθεί και η ενδεικτική λυχνία θα αρχίσει να αναβοσβήνει με κόκκινο χρώμα.
- Μόλις η ενδεικτική λυχνία του Z2 αρχίσει να αναβοσβήνει με κίτρινο χρώμα, πατήστε και κρατήστε πατημένο το κουμπί ρύθμισης της έντασης «+» του Z2 επί 4 δευτερόλεπτα. Μόλις σταθεροποιηθεί η σύνδεση ενσύρματου δικτύου, η ενδεικτική λυχνία του Z2 θα ανάβει συνεχώς με μοβ χρώμα.
- Χρησιμοποιώντας μια εφαρμογή περιήγησης στο Διαδίκτυο στον υπολογιστή που είναι συνδεδεμένος με το Z2, πληκτρολογήστε την προεπιλεγμένη διαδικτυακή διεύθυνση του Z2 (<http://169.254.1.1>) το πεδίο διεύθυνσεων του προγράμματος περιήγησης στο Διαδίκτυο και πατήστε «return». Με αυτόν τον τρόπο θα ανοίξει η σελίδα ρύθμισης του Z2.
- Στη σελίδα ρύθμισης παρέχεται η επιλογή αλλαγής του ονόματος του Z2. Η αλλαγή ονόματος θα σας φανεί χρήσιμη αν σκοπεύετε να συνδέσετε στο δίκτυο περισσότερα από ένα Z2. Εισαγάγετε ένα νέο όνομα [π.χ. Z2 Kitchen (Z2 Κουζίνα)] στο πλαίσιο Name (Ονομασία).

- Επιλέξτε το όνομα (Name) από την αναπτυσσόμενη λίστα του οικιακού δικτύου και εισάγετε τον Κωδικό πρόσβασης (Password) στο αντίστοιχο πλαίσιο. Φροντίστε να πληκτρολογήσετε σωστά τον κωδικό πρόσβασης.
- Μόλις τελειώσετε, κάντε κλικ στο κουμπί Apply (Εφαρμογή), και μετά κλείστε τη σελίδα ρύθμισης του Z2. Αποσυνδέστε το καλώδιο Ethernet.
- Η ενδεικτική λυχνία του Z2 θα ανάβει σταθερά με μοβ χρώμα μόλις πραγματοποιηθεί η σύνδεση στο ασύρματο δίκτυο. Αυτό θα διαρκέσει έως 3 λεπτά.

Σημείωση: Εάν το Z2 δεν κατορθώσει να συνδεθεί στο οικιακό ασύρματο δίκτυο, η πιθανότερη αιτία είναι να μην έχει καταχωριστεί σωστά ο κωδικός πρόσβασης στο δίκτυο. Ακολουθήστε τις οδηγίες επαναφοράς, που αναφέρονται στην Ενότητα 7, και αρχίστε από την αρχή τη διαδικασία ρύθμισης δικτύου.

5.4 Ρύθμιση παραμέτρων του iTunes

Όταν το Z2 είναι συνδεδεμένο στο οικιακό σας δίκτυο (ενσύρματο ή ασύρματο) μπορείτε να ρυθμίσετε την εφαρμογή iTunes ώστε να χρησιμοποιεί το Z2 ως συσκευή εξόδου. Επιλέξτε το Z2 ως επιλογή εξόδου στο αναδυόμενο μενού του AirPlay. Στη συνέχεια, το iTunes θα αναπαραγάγει μουσική μέσω του Z2.

Στο ασύρματο δίκτυο μπορείτε να συνδέσετε πολλές μονάδες Z2 και να τις χρησιμοποιείτε για παροχή ήχου σε ξεχωριστά δωμάτια. Όλες οι μονάδες θα είναι διαθέσιμες στο μενού συσκευών του iTunes και θα προσδιορίζονται είτε από τα ονόματα που καθορίστηκαν στη σελίδα ρυθμίσεων είτε από τα τρία τελευταία ψηφία των σειριακών αριθμών τους, ως προεπιλογή.

Χρώμα ενδεικτικής λυχνίας	Σημασία	Επιλεγμένη είσοδος
Απενεργοποιημένη	Αναμονή	Δ/Ι
Αχνό κόκκινο	Αδράνεια	Δ/Ι
Αναβοσβήνει κόκκινη	Ενεργοποιείται	Δ/Ι
Αναβοσβήνει δύο φορές με κόκκινο χρώμα	Έναρξη επαναφοράς	Δ/Ι
Μπλε	Ενεργοποίηση	Σταθμός σύνδεσης
Μπλε που αναβοσβήνει γρήγορα	Ρύθμιση έντασης του ήχου	Σταθμός σύνδεσης
Πορτοκαλί	Ενεργοποίηση	Aux
Πορτοκαλί που αναβοσβήνει γρήγορα	Ρύθμιση έντασης του ήχου	Aux
Μοβ	Ενεργοποίηση	AirPlay
Μοβ που αναβοσβήνει γρήγορα	Ρύθμιση έντασης του ήχου	AirPlay
Μοβ που αναβοσβήνει αργά	Δεν υπάρχει συνδεδεμένο δίκτυο	AirPlay
Κόκκινο που αναβοσβήνει γρήγορα	Μη έγκυρη λειτουργία	Οποιαδήποτε
Κίτρινο που αναβοσβήνει αργά	Λειτουργία ασύρματης ρύθμισης	Δ/Ι
Λευκό	Ενημέρωση υλικολογισμικού	Δ/Ι
Λευκό που αναβοσβήνει	Σφάλμα υλικολογισμικού	Δ/Ι

Πίνακας 1

Το χρώμα της ενδεικτικής λυχνίας και η σημασία του

6. Ενημέρωση υλικολογισμικού του Z2

Κατά καιρούς, ενδέχεται να διατίθεται υλικολογισμικό του Z2 προς λήψη από την ενότητα υποστήριξης του Z2 της διαδικτυακής τοποθεσίας της Bowers & Wilkins.

7. Επαναφορά εργοστασιακών ρυθμίσεων του Z2

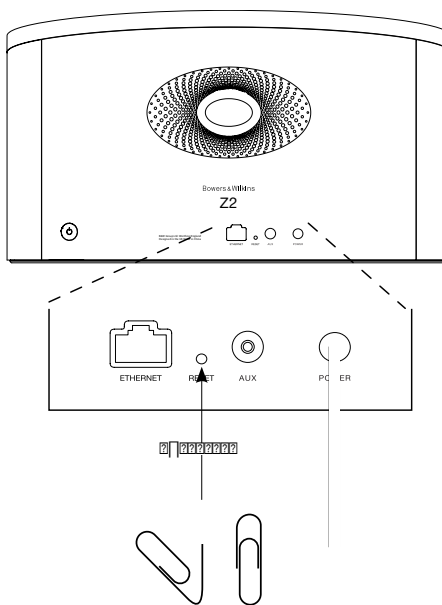
Το Z2 διαθέτει ένα κουμπί επαναφοράς ακίδας, που βρίσκεται στον πίνακα με τις υποδοχές σύνδεσης στο πίσω μέρος του. Το κουμπί επαναφοράς ρυθμίσεων απεικονίζεται στο Διάγραμμα 6. Για επαναφορά των ρυθμίσεων δικτύου (είσοδος AirPlay) του Z2 στις εργοστασιακές προεπιλεγμένες ρυθμίσεις, βεβαιωθείτε ότι έχει συνδεθεί το καλώδιο ρεύματος και θέστε σε λειτουργία το Z2. Πατήστε και κρατήστε πατημένο το κουμπί επαναφοράς επί 2 δευτερόλεπτα. Η ενδεικτική λυχνία θα αναβοσβήσει με κόκκινο χρώμα δύο φορές.

8. Καθαρισμός του Z2

Για να καθαρίσετε το Z2 χρησιμοποιήστε ένα πανί που δεν αφήνει χνούδι. Εάν θέλετε να χρησιμοποιήσετε κάποιο καθαριστικό, βάλτε το στο πανί καθαρισμού και όχι κατευθείαν επάνω στο Z2. Δοκιμάστε το πρώτα σε μια μικρή περιοχή, καθώς ορισμένα προϊόντα καθαρισμού ενδέχεται να καταστρέψουν ορισμένες επιφάνειες. Αποφεύγετε τα αποξυστικά προϊόντα ή τα προϊόντα που περιέχουν οξειδωτικούς, αλκαλικούς ή αντιβακτηριδιακούς παράγοντες.

9. Αντιμετώπιση προβλημάτων

Εάν χρειάζεστε βοήθεια για την αντιμετώπιση κάποιου συγκεκριμένου προβλήματος ή εάν έχετε κάποιο ερώτημα που θα θέλατε να απαντηθεί, συμβουλευτείτε τον οδηγό Αντιμετώπισης Προβλημάτων ή την ενότητα Συνήθεις Απορίες στη σελίδα Support (υποστήριξη) για το Z2, στη διαδικτυακή μας τοποθεσία.
www.bowers-wilkins.com



Διάγραμμα 6
Επαναφορά εργοστασιακών ρυθμίσεων του Z2

Τεχνικές προδιαγραφές

Μοντέλο	Z2
Περιγραφή	Ασύρματο σύστημα μουσικής
Τεχνικά χαρακτηριστικά	Τεχνολογία Apple® AirPlay® Βύσμα Lightning™ Ψηφιακή επεξεργασία σήματος (Digital Signal Processing – DSP) Ενισχυτής υψηλής ποιότητας Κατηγορίας D Παροχή ρεύματος με εναλλαγή λειτουργίας Flowport™ Τηλεχειριστήριο
Μονάδες οδήγησης	2x 87,5 mm (3,5 ίντσες) πλήρους εμβέλειας
Απόκριση συχνότητας	50 Hz – 20 kHz ±3 dB σε άξονα συχνότητας
Εμβέλεια συχνότητας	-6 dB στα 42 Hz και στα 22 kHz
Απόδοση ισχύος ενισχυτή	2x 20 W
Τάση εισόδου	100 V - 240 V ~ 50/60 Hz
Ονομαστική κατανάλωση ρεύματος	36 W
Κατανάλωση ρεύματος αναμονής	<0,5 W
Θερμοκρασία λειτουργίας	Αυτό το προϊόν έχει σχεδιαστεί για να λειτουργεί μόνο σε θερμοκρασία δωματίου έως 45 °C.
Είσοδοι	Βύσμα Lightning™ Δικτύου (RJ45 Ethernet ή Wi-Fi) Βοηθητική - αναλογική (μίνι βύσμα 3,5 mm)
Ύψος	180 mm
Πλάτος	320 mm
Βάθος	100 mm
Καθαρό βάρος	2,6 kg
Περιβλημα	ABS με γυαλί
Γρίλιες	Μέταλλο
Συμβατότητα με προϊόντα Apple	Το βύσμα lightning λειτουργεί με τα iPhone 5, iPod touch (5ης γενιάς) και iPod nano (7ης γενιάς). Το AirPlay λειτουργεί με συσκευές iPhone, iPod touch και iPad, που διαθέτουν σύστημα iOS 4.3.3 ή μεταγενέστερο, με υπολογιστή Mac με λειτουργικό σύστημα OS X Mountain Lion ή με υπολογιστή Mac και υπολογιστή συμβατό με iTunes 10.2.2 ή μεταγενέστερο.

Добро пожаловать в Bowers & Wilkins и Z2

Благодарим вас за выбор Bowers & Wilkins. Когда Джон Бауерс создал нашу компанию, он сделал это, веря в то, что необычный дизайн, инновационные инженерные решения и передовые технологии являются ключом, открывающим двери к наслаждению звуком в домашней обстановке. Мы продолжаем разделять его концепции, и они находят свою реализацию в каждом создаваемом нами изделии.

Z2 – это не только док-станция для iPod® и система колонок. Кроме воспроизведения аудио, хранящегося на вашем iPod или iPhone®, вы также можете использовать его для следующих целей:

- Воспроизводить аудио непосредственно из iTunes® через проводное или беспроводное подключение к сети.
- Подключать и воспроизводить звук от внешних аудио источников, таких как телевизор или портативный музыкальный плеер без порта USB.

В данном руководстве вы найдете все, что вам необходимо, для получения максимальной отдачи от Z2. Оно начинается с описания содержимого коробки с Z2.



1. Содержимое коробки с Z2

1. Z2
2. Блок питания
3. Пульт дистанционного управления
4. Комплект документации

Информация о защите окружающей среды

Это изделие соответствует международным директивам, включая, но не ограничиваясь, директиву по ограничению использования опасных веществ (RoHS) в электрическом и электронном оборудовании, директиву по регистрации, оценке, получению разрешения и ограничению использования химических веществ (REACH), а также директиву об утилизации электрического и электронного оборудования (WEEE). Обратитесь в вашу местную организацию по утилизации отходов для информации о правильной утилизации или переработке данного изделия.

Разъем Lightning™ работает с iPhone 5, iPod touch (5-го поколения) и iPod nano (7-го поколения).

AirPlay работает с iPhone, iPod touch и iPad с iOS 4.3.3 или новее, Mac с OS X Mountain Lion, или Mac и PC с iTunes 10.2.2 или новее.



2. Подключение к вашему устройству Z2

Вы можете выполнять подключение к Z2 тремя различными способами:

- Используя AirPlay®.
- С использованием разъема Lightning™.
- Используя разъем AUX на задней панели.

На Диаграмме 1 показаны разъемы подключения Z2 на задней панели.

Подключение по AirPlay

Z2 может воспроизводить аудио из iTunes, используя беспроводное или проводное (ethernet) подключение и потоковую технологию AirPlay. При подключении к той же локальной сети, что и компьютер с запущенной программой iTunes, Z2 может появиться во всплывающем меню AirPlay как один из вариантов выходного устройства. См. Раздел 5 для информации о конфигурации Z2 для подключения к вашей домашней сети и о конфигурации iTunes для воспроизведения через Z2.

Примечание: Убедитесь, что вы установили самую новую версию iTunes.

Примечание: Если вы хотите подключить ваш Z2 к локальной сети Ethernet, потребуется стандартный кабель Ethernet.

Кроме воспроизведения потокового аудио с iTunes, технология AirPlay также воспроизводит потоковое аудио с iPod, iPhone или iPad® непосредственно на Z2. Любое приложение iPod, iPhone или iPad, имеющее регулировку громкости, будет иметь дополнительный значок, позволяющий выбирать для воспроизведения доступные удаленные колонки. Любое AirPlay совместимое устройство в зоне действия беспроводного соединения будет включено в список выбора.

Разъем Lightning

Разъем Lightning у Z2 совместим с iPhone 5, iPod touch (5-го поколения) и iPod nano (7-го поколения). Более старые модели iPod или iPhone, или другие музыкальные плееры можно использовать, соединив их выход на наушники с входом Aux на задней панели Z2. Пристыкованные iPhone и iPod подзаряжаются, когда Z2 находится в режиме Sleep или Standby.

Дополнительный вход AUX

Если вы хотите прослушать аудио с внешнего аналогового источника, подключите его в гнездо AUX вашего Z2 с использованием аналогового кабеля с разъемом мини-джек.

Вход питания POWER

Подключите Z2 к сетевой розетке при помощи прилагаемого сетевого адаптера (блока питания). При первом подключении Z2 автоматически включится и его индикатор загорится пульсирующим красным цветом.

Примечание: Таблица в Разделе 4 приводит описание цветов индикатора Z2 и их значение.

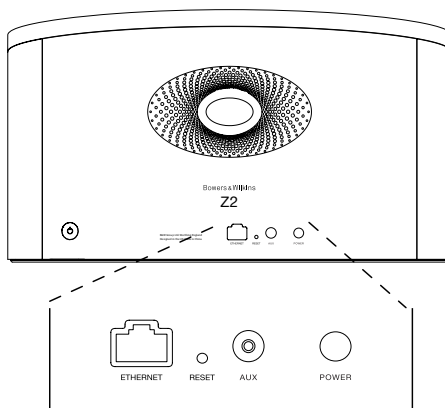


Диаграмма 1
Задняя панель Z2

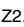
3. Использование Z2

Управлять работой Z2 можно либо органами управления на его корпусе, показанными на Диаграмме 2, либо при помощи пульта дистанционного управления. При использовании пульта следует сначала извлечь изолирующую прокладку на батарее. Это показано на Диаграмме 3. На Диаграмме 4 показаны функции пульта ДУ.

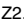
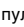
3.1 Включение и выключение

Дополнительно к обычному режиму работы Z2 имеет режимы Standby и Sleep. В режиме Standby все функции Z2 выключены и его потребление энергии минимально. В режиме Sleep функция беспроводного соединения Z2 остается подключенной к локальной сети. Индикатор Z2 светится тусклым красным цветом в режиме Sleep и отключается в режиме Standby.

Z2 может быть включен из режима Standby следующими действиями:

- Нажатием кнопки Standby  на Z2.
- Установкой iPod или iPhone на док-разъем.

Z2 может быть включен из режима Sleep следующими действиями:

- Нажатием кнопки Standby  на Z2.
- Нажатием кнопки Standby  на пульте.
- Установкой iPod или iPhone на док-разъем.
- Передачей потоковой музыки на Z2 по AirPlay.
- Воспроизведением музыки через вход AUX.

Когда Z2 включается из режима Standby или Sleep, будет выбираться последний использовавшийся вход, если он остается подключенным. Если последний использовавшийся вход не подключен, Z2 будет автоматически сканировать свои входы (AUX, док-разъем, AirPlay) и выбирать первый найденный подключенный вход. Индикатор Z2 изменит цвет свечения в соответствии с выбранным входом. Если подключенного входа не будет обнаружено, Z2 выберет вход AirPlay по умолчанию.

Примечание: При первом включении, если вход AirPlay не был настроен, индикатор будет мигать желтым цветом.

Примечание: Таблица в Разделе 4 приводит описание всех цветов индикатора Z2 и их значений.

Для переключения Z2 в режим Sleep нажмите на кнопку режима Standby на пульте или нажмите и держите нажатой в течение 2 секунд кнопку режима Standby на Z2. Индикатор Z2 будет светиться тусклым красным цветом.

Для переключения Z2 в режим Standby нажмите и держите нажатой в течение 4 секунд кнопку режима Standby Z2. Индикатор Z2 отключится.

Примечание: Переключение Z2 в режим Standby невозможно с пульта дистанционного управления.

Примечание: Z2 автоматически переходит в режим «сна» – Sleep, если остается неактивным более 30 минут.

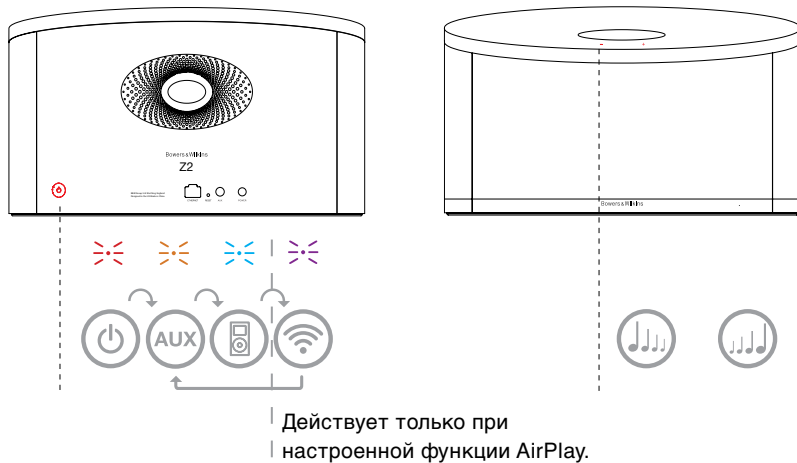


Диаграмма 2
Органы управления Z2

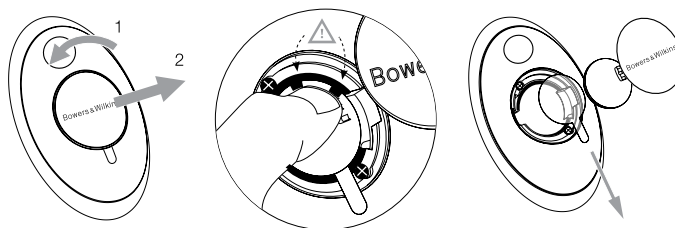


Диаграмма 3
Извлечение изолирующей прокладки Z2

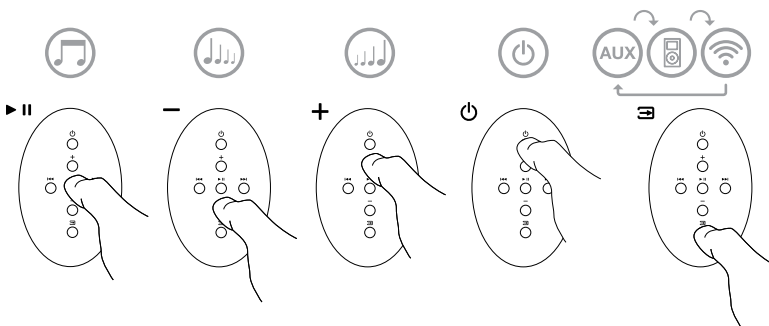


Диаграмма 4
Кнопки пульта Z2

3.2 Функции Z2

Диаграмма 5 показывает Z2 со всеми возможными подключениями аудио и видео источников.

При включении Z2 из режима Standby или Sleep:

- Вы можете слушать аудио вашего iPod или iPhone.
- Вы можете подключиться к проводной или беспроводной сети и слушать потоковое аудио через AirPlay.
- Вы можете слушать другие источники аналогового аудио через дополнительный вход AUX на Z2.
- Для регулирования громкости Z2 вы можете использовать кнопку Volume на пульте дистанционного устройства или на самом устройстве.
- Если в док-станцию установлен iPod или iPhone, или если Z2 подключен к iTunes через AirPlay, вы можете использовать кнопку Play/Pause для воспроизведения или паузы аудио, а также кнопки Previous или Next для выбора следующей или предыдущей записи.
- Вы можете последовательно использовать кнопку Input пульта или кнопку режима Standby на Z2 для выбора подключенных входов.

3.3 Автоматическое переключение входа Z2

В следующих случаях Z2 будет автоматически переключаться на вход AirPlay или будет включаться из режима Sleep:

- При наличии потокового аудио iTunes на входе AirPlay, когда был выбран вход док-станции и установленный на нее iPod или iPhone прекратил воспроизведение, вход AirPlay будет выбираться автоматически.
- При наличии потокового аудио с iTunes на входе AirPlay, когда был выбран вход AUX, но звук на него не поступает, вход AirPlay будет выбираться автоматически.
- При появлении потокового аудио iTunes на входе AirPlay, когда Z2 находился в режиме Sleep, он включится автоматически и начнет воспроизводить потоковое аудио.
- Если Z2 находился в режиме Sleep более одной минуты, то при обнаружении аудио сигнала на входе AUX он включится автоматически и начнет воспроизводить музыку со входа AUX.

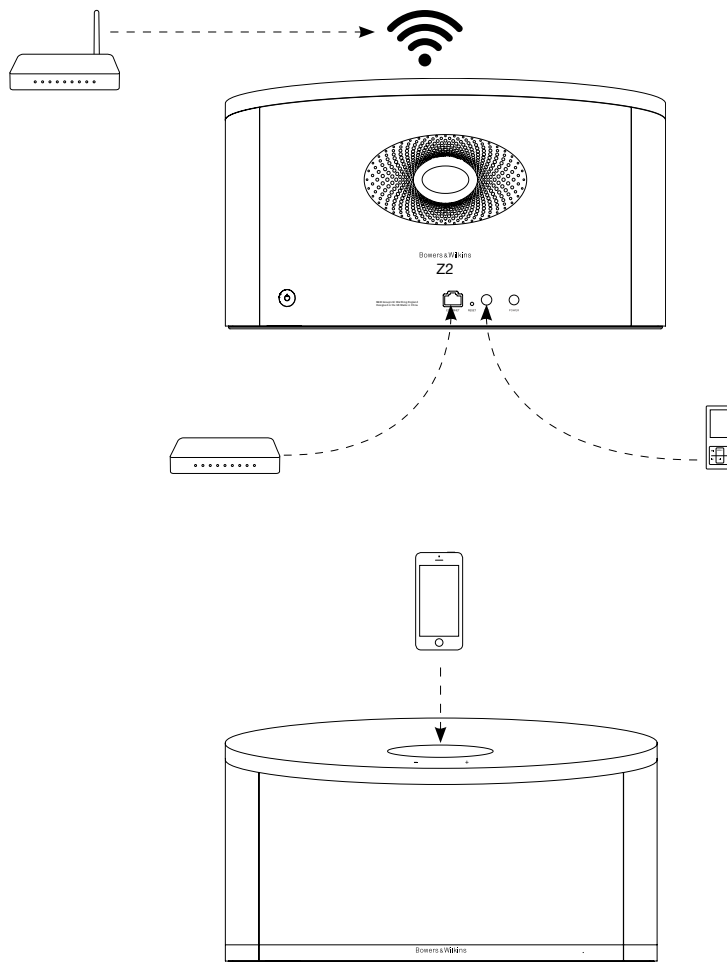


Диаграмма 5
Варианты подключения Z2

4. Индикатор Z2

Индикатор Z2 светится различными цветами для указания различных условий работы устройства. Приведенная ниже таблица описывает цвета свечения индикатора и их значение.

5. Подключение к беспроводным локальным сетям и конфигурация iTunes

Для воспроизведения вашей музыки iTunes на Z2 с использованием функции AirPlay, ваш Z2 должен быть подключен к той же локальной сети, что и компьютер, на котором установлена и работает программа iTunes. Адресация локальной сети Z2 установлена на DHCP, что означает отсутствие необходимости последующей конфигурации после подключения к беспроводной локальной сети. Перед началом вам необходимо узнать название и пароль вашей беспроводной локальной сети.

5.1 Настройка Z2 с помощью вашего iOS устройства (iPod touch, iPad или iPhone)

- Скачайте приложение 'Bowers & Wilkins Control' App с сайта App Store или же зайдите на сайт www.bowers-wilkins.com/control
- Следуйте инструкциям, появляющимся на экране.

5.2 Настройка Z2 с помощью Mac или PC

- Скачайте приложение 'Bowers & Wilkins Control' App с сайта App Store или же зайдите на сайт www.bowers-wilkins.com/control
- Следуйте инструкциям, появляющимся на экране.

5.3 Настройка Z2 с использованием проводного подключения

Для настройки подключения Z2 вашей беспроводной локальной сети вам сначала необходимо физически подключить устройство к компьютеру Mac/PC с использованием прилагаемого кабеля Ethernet. При этом вы должны убедиться, что беспроводные функции Mac/PC отключены. После подключения вы можете перейти на страницу настройки Z2. Выполните действия, описанные ниже.

Примечание: Z2 также может использовать проводное сетевое подключение для потокового воспроизведения AirPlay.

- Отключите все кабели от Z2 и снимите с док-разъема iPod или iPhone, если он установлен.
- Используя прилагаемый кабель Ethernet, подключите его в разъем ETHERNET на задней панели Z2 и в гнездо Ethernet компьютера.
- Подключите шнур питания. Z2 включится в режиме Standby, и индикатор будет светиться пульсирующим красным цветом.
- Через некоторое время индикатор начнет мигать желтым цветом. Нажмите и удержите кнопку регулировки громкости «+» на Z2 в течение 4 секунд. После того как проводное подключение к сети будет полностью установлено индикатор начнет светиться постоянным пурпурным цветом.
- Используя запущенный браузер на компьютере, подключенном к устройству Z2, наберите сетевой адрес Z2 по умолчанию (<http://169.254.1.1>) в поле адреса браузера и нажмите клавишу "return". Это приведет к открытию страницы настройки Z2.

- Прежде чем подсоединиться к домашней беспроводной сети, в странице с настройками вам будет предложено сменить имя Z2. Смена имени может оказаться полезной, если к сети подсоединен более чем один Z2. Введите новое имя (например, Z2 Kitchen) в окошко Name.
- Выберите Name (название) вашей домашней сети из ниспадающего списка и введите Password (пароль) в соответствующее окно. Убедитесь в правильном вводе пароля.
- По окончании щелкните на кнопке Apply и затем закройте страницу настройки Z2. Отсоедините кабель Ethernet.
- Индикатор Z2 сменит свечение на постоянный пурпурный цвет после установки беспроводного подключения. На это потребуются около 3 минут.

Примечание: Если Z2 не сможет подключиться к вашей домашней беспроводной сети, наиболее вероятной ошибкой является неправильный ввод пароля сети. Выполните инструкции по сбросу в Разделе 7 и снова выполните процедуру настройки сети.

5.4 Конфигурация iTunes

Когда Z2 соединен с вашей домашней сетью (проводной или беспроводной), вы можете сконфигурировать iTunes на использование его, как выходного устройства. Выберите Z2 как выходное устройство в меню AirPlay. Теперь музыка с iTunes будет воспроизводиться через Z2.

К беспроводной локальной сети может быть подключено несколько устройств Z2 для воспроизведения аудио в различных комнатах. Каждое устройство будет доступно в меню устройств iTunes, идентифицируемое либо по именам, указанным на странице настройки, либо (по умолчанию) последними тремя цифрами их серийных номеров.

Цвет индикатора	Значение	Выбранный вход
Отключен	Standby	Н/П
Тусклый красный	Sleep	Н/П
Пульсирующий красный	Включение	Н/П
Двойной мигающий красный	Запущен Reset (сброс)	Н/П
Синий	Включен	Док-разъем
Быстрое мигание синим	Регулирование громкости	Док-разъем
Оранжевый	Включен	AUX
Быстрое мигание оранжевым	Регулирование громкости	AUX
Пурпурный	Включен	AirPlay
Быстрое мигание пурпурным	Регулирование громкости	AirPlay
Медленное мигание пурпурным	Нет подключенной сети	AirPlay
Быстрое мигание красным	Неверная операция	Любой
Медленное мигание желтым	Режим настройки беспроводной сети	Н/П
Желтый	Режим синхронизации iPod/iPhone	USB
Белый	Обновление аппаратного обеспечения	Н/П
Мигание белым	Ошибка аппаратного обеспечения	Н/П

Таблица 1
Значения цветов индикатора

6. Обновление прошивки ПО Z2

Обновленная версия ПО Z2 может быть периодически доступно для загрузки из раздела поддержки Z2 на сайте Bowers & Wilkins.

7. Сброс Z2 на заводские настройки

Z2 имеет на задней панели кнопку сброса, которую следует нажимать тонким предметом. Кнопка сброса указана на Диаграмме 6. Для возврата настроек Z2 (по входу AirPlay) к заводским настройкам по умолчанию, убедитесь, что сетевой кабель подсоединен и включите Z2. Нажмите и удержите кнопку сброса в течение 2 секунд. Индикатор дважды мигнет красным цветом.

8. Чистка Z2

Для чистки тканевой защитной решетки используйте только одежную щетку или влажную ткань. Протрите остальные поверхности чистой тканью, не оставляющей ворса. Если вы хотите использовать чистящее средство, наносите его на ткань для чистки, а не прямо на Z2. Сначала проверьте на небольшом участке, так как некоторые чистящие средства могут привести к повреждению поверхности. Избегайте использования абразивных веществ или средств, содержащих кислоту, щелочь или противомикробные вещества.

9. Устранение неисправностей

Если вам необходима помощь в устранении какой-либо конкретной проблемы или у вас возникли вопросы, требующие ответов, обратитесь к руководству по устранению неисправностей или к разделу часто задаваемых вопросов на странице поддержки Z2 нашего web-сайта.
www.bowers-wilkins.com

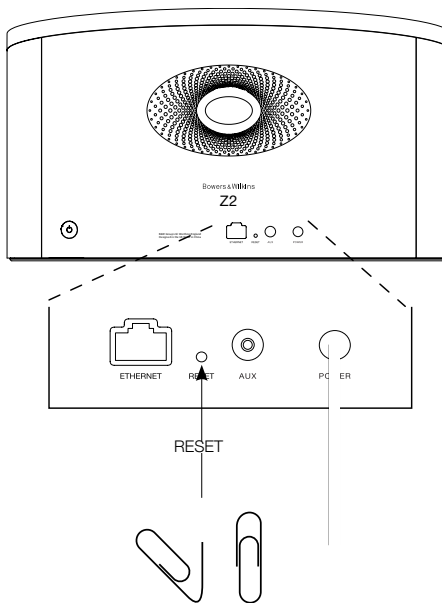


Диаграмма 6
Сброс Z2 к заводским установкам

Технические характеристики

Модель	Z2
Описание	Беспроводная музыкальная система
Достоинства	Технология Apple AirPlay Разъем Lightning™ Цифровая обработка сигналов Высококачественный усилитель класса D Импульсный блок питания Порт фазоинвертора Flowport Пульт ДУ
Динамики	2x 87.5мм (3.5in) полнодиапазонные
Частотный отклик	50 Гц – 20 кГц, +/- 3 дБ на референсной оси
Диапазон частот	42 Гц – 22 кГц, (-6дБ)
Вых. мощность усилителя	2x 20 Вт
Напряжение питания	100 В – 240 В ~ 50 / 60 Гц
Потребление (номин.)	36 Вт
Потребление в режиме Standby	<0.5 Вт
Рабочая температура	Продукт рассчитан на работу при окружающей температуре до 45 ° C
Входы	Разъем Lightning™ Сетевой (RJ45 Ethernet или Wi-Fi) AUX – аналоговый 3.5 мм разъем мини-джек
Высота	180 мм
Ширина	320 мм
Глубина	100 мм
Вес	2.6 кг
Корпус	ABS пластик, армированный стекловолокном
Защитная решетка	металл
Совместимость с Apple	Разъем Lightning™ работает с iPhone 5, iPod touch (5-го поколения) и iPod nano (7-го поколения). AirPlay работает с iPhone, iPod touch и iPad с iOS 4.3.3 или новее, Mac с OS X Mountain Lion, или Mac и PC с iTunes 10.2.2 или новее.

Vítejte u Bowers & Wilkins a Z2

Děkujeme, že jste si zvolili právě společnost Bowers & Wilkins. Když John Bowers založil naši společnost, dělal to s vírou, že nápaditý design, inovační technické postupy a pokročilé technologie jsou klíčem, který odemyká radost z domácího poslechu hudby. Jeho víru sdílíme i my a pokračujeme v naplňování jeho vize každým výrobkem, který navrhne.

Z2 je víc než jen dokovací a reproduktorový systém pro iPod®. Kromě poslechu hudby uložené na iPodu nebo iPhone® jej můžete využít také pro:

- Přehrávání hudby přímo z iTunes® přes pevnou nebo bezdrátovou síť.
- Připojení k externímu zdroji hudby a jeho poslechu (jedná se např. o televizi či přenosné přehrávače, které nepodporují USB).

V této příručce se dozvíte vše, co potřebujete vědět, abyste svůj Z2 využili na maximum. Na začátku se zaměříme na popis obsahu krabice Z2.



1. Obsah krabice Z2

1. Z2
2. Napájecí zdroj
3. Dálkové ovládání
4. Balíček dokumentů

Informace o životním prostředí

Tento výrobek vyhovuje mezinárodním směrnicím, mimo jiné i směrnici RoHS (**R**estriction **o**f **H**azardous **S**ubstances), která se týká omezení nebezpečných látek v elektrických a elektronických zařízeních. Vyhovuje též směrnici REACH (**R**egistration, **E**valuation, **A**uthorisation and restriction of **C**hemicals), které se týkají registrace, evaluace, autorizace a restrikce chemických látek a směrnici WEEE (**W**aste **E**lectrical and **E**lectronic **E**quipment), která se zabývá likvidací elektrického a elektronického zařízení. Více informací o tom, jak správně recyklovat nebo likvidovat tento výrobek získáte od příslušného orgánu, který se zabývá likvidací odpadu.

Lightning konektor přístroje Z2 je kompatibilní s iPhone 5, iPod touch (5th generation) a iPod nano (7th generation).

Funkce AirPlay je kompatibilní s iPhone, iPod touch a iPad s iOS 4.3.3 nebo novějším, Mac s OS X Mountain Lion či Mac a PC s iTunes 10.2.2 nebo novější verzí.



2. Připojení k Z2

K Z2 se můžete připojit třemi různými způsoby:

- Použitím AirPlay®.
- Použitím Lightning™ konektoru.
- Použitím vstupu AUX na zadním panelu.

Obrázek 1 zobrazuje konektory na zadním panelu Z2.

Připojení AirPlay

Z2 umožňuje přehrávat hudbu z iTunes buď bezdrátovým, nebo kabelovým (ethernetovým) připojením pomocí technologie AirPlay. Pokud je Z2 připojený do stejné sítě jako počítač, na kterém jsou spuštěny iTunes, může se Z2 objevit jako jedna z výstupních možností v pop-up menu funkce AirPlay. Informace o konfiguraci Z2, aby se zapojoval do domácí sítě, a o konfiguraci iTunes, aby přehrávaly hudbu pomocí Z2, viz část 5.

Poznámka: Ujistěte se, že máte nainstalovanou nejnovější verzi iTunes.

Poznámka: Chcete-li Z2 připojit k ethernetové síti, je nutné použít standardní ethernetový síťový kabel.

Kromě pouštění hudby přímo z iTunes umožňuje AirPlay též přenos hudby do Z2 z přístrojů iPod touch, iPhone nebo iPad®. Jakákoli aplikace pro iPod touch, iPhone nebo iPad, která obsahuje ovládání hlasitosti, bude mít zvláštní ikonu umožňující výběr dostupných reproduktorů. Jakékoli zařízení Zeppelin Air v dosahu bezdrátové sítě bude součástí seznamu, ze kterého lze vybírat.

Lightning konektor

Lightning konektor přístroje Z2 je kompatibilní s iPhone 5, iPod touch (5th generation) a iPod nano (7th generation). Starší modely iPodů či iPhoneů nebo jiné přehrávače hudby lze používat tak, že připojíte jejich sluchátkový výstup k terminálu externího vstupu (AUX) na zadním panelu Z2. Zadokované modely iPhoneu a iPodu jsou nabíjeny ať již je Z2 zapnutý, nebo přeprnutý do režimu spánku či pohotovostního režimu.

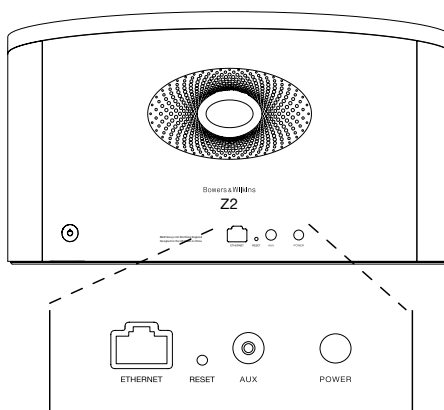
Externí vstup (AUX)

Pokud si přejete poslouchat hudbu z externího analogového či digitálního zdroje, připojte jej ke konektoru externího vstupu (AUX) pomocí analogového kabelu zakončeného konektorem mini-jack.

Připojení k napájení

Z2 připojte k zásuvce pomocí dodaného napájecího zdroje (transformátoru). Po připojení k napájení začne přístroj automaticky nabíhat do zapnutého stavu, což bude indikováno červeně blikající kontrolkou.

Poznámka: Tabulka v části 4 popisuje všechny barvy indikátoru Z2 a jejich významy.



Obrázek 1
Zadní panel Z2

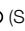
3. Jak používat Z2

Z2 lze ovládat buď ovládacími prvky na přístroji, nebo dálkovým ovladačem. Chcete-li používat dálkové ovládání, musíte nejdříve odstranit izolační kryt baterie. Tyto úkony jsou zobrazeny na obrázku 3. Obrázek 4 popisuje funkce dálkového ovládání.

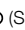

3.1 Zapínání a vypínání

Kromě obvyklého pracovního režimu může Z2 vstoupit též do pohotovostního režimu (Standby) nebo režimu spánku (Sleep). V pohotovostním režimu jsou všechny funkce Z2 vypnuty a spotřeba energie je minimální. V režimu spánku zůstane Z2 připojený k bezdrátové síti. Indikátor Z2 svítí v režimu spánku tlumeně červeně a v pohotovostním zhasne.

Z pohotovostního (Standby) režimu lze Z2 zapnout následovně:

- Stisknout na Z2 tlačítko  (Standby).
- Zadokovat iPod či iPhone

Z režimu spánku (Sleep) lze Z2 zapnout následovně:

- Stisknout na Z2 tlačítko  (Standby).
- Stisknout na dálkovém ovladači tlačítko  (Standby).
- Zadokovat iPod či iPhone.
- Začít do Z2 streamovat hudbu po AirPlay.
- Pustit hudební signál do vstupu AUX.

Zapínáte-li Z2 z pohotovostního režimu, nebo z režimu spánku, aktivuje se naposledy použitý vstup (pokud je stále zapojený). Pokud již není zapojený, Z2 automaticky zkontroluje své vstupy (AUX, dokovací vstup, AirPlay) a vybere první, který identifikuje jako obsazený. Indikátor Z2 změní barvu na takovou, která označuje příslušný vstup. Pokud Z2 nenalezne žádný obsazený vstup, vybere vstup AirPlay.

Poznámka: Pokud vstup AirPlay ještě nebyl nastaven, indikátor bude blikat žlutě.

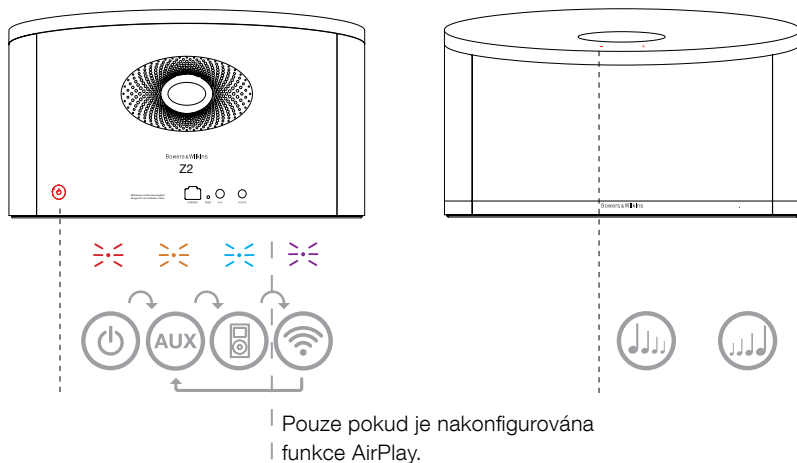
Poznámka: Tabulka v části 4 popisuje veškeré barvy indikátoru Z2 a jejich významy.

K přepnutí Z2 do režimu spánku, stiskněte buď klávesu pohotovostního režimu (Standby) na dálkovém ovládacím, nebo stiskněte a po dvě sekundy podržte tlačítko pohotovostního režimu (standby) na přístroji. Indikátor Z2 se rozsvítí tlumeně červeně.

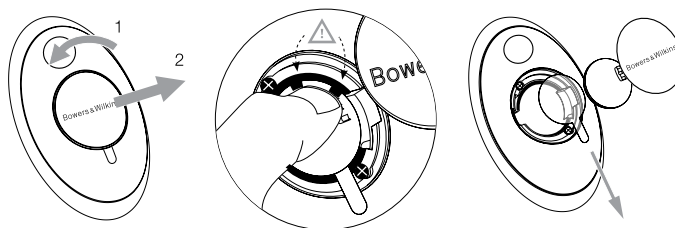
Chcete-li Z2 uvést do pohotovostního režimu, stiskněte a podržte na Z2 tlačítko pohotovostního režimu (Standby) po dobu čtyř sekund. Indikátor Z2 zhasne.

Poznámka: Do pohotovostního režimu nelze Z2 uvést pomocí dálkového ovládání.

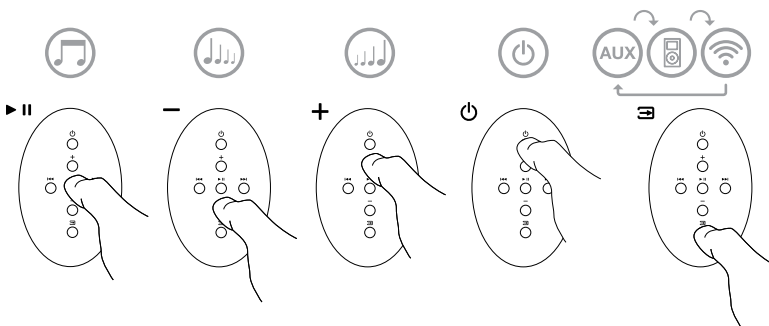
Poznámka: Není-li Z2 aktivní více než 30 minut, přejde automaticky do režimu spánku.



Obrázek 2
Popis ovládacích prvků Z2



Obrázek 3
Odstranění izolačního krytu Z2



Obrázek 4
Popis dálkového ovládání Z2

3.2 Funkce Z2

Obrázek 5 zobrazuje konektivitu přístroje Z2.

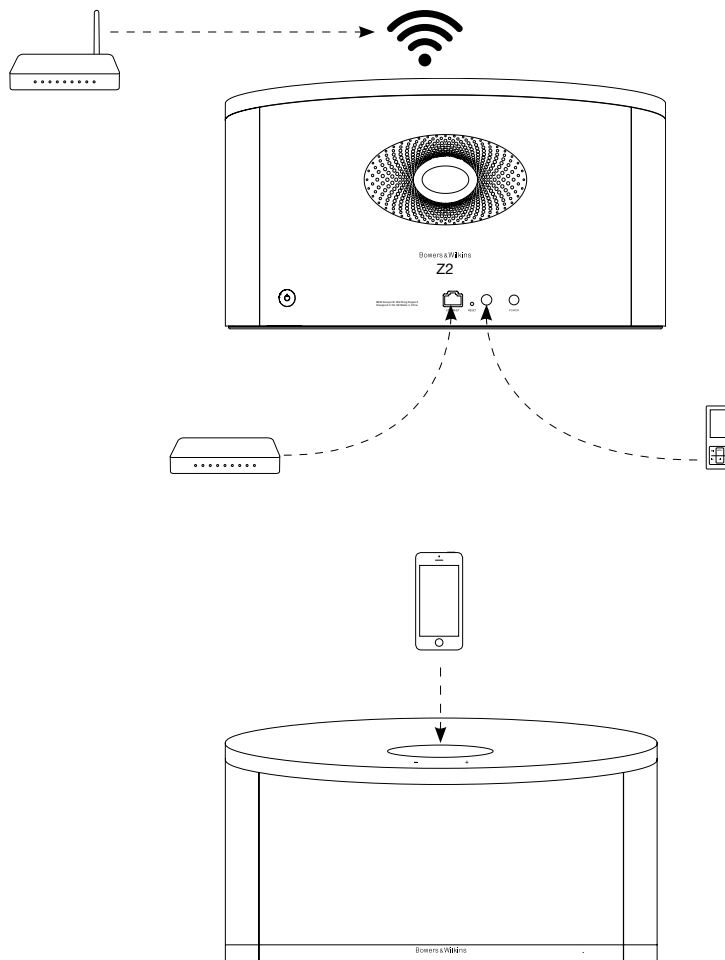
Pokud je Z2 zapnutý z pohotovostního režimu či režimu spánku:

- Můžete poslouchat hudbu z iPodu či iPhoneu.
- Můžete se připojit ke kabelové nebo bezdrátové síti a poslouchat svou hudbu z iTunes přes AirPlay.
- Můžete poslouchat též jiné analogové zdroje zvuku přes vstup Aux.
- K regulaci hlasitosti můžete použít tlačítka ovládání hlasitosti (Volume) na dálkovém ovladači nebo tlačítka na Z2.
- Je-li zadokován iPod či iPhone, nebo je-li Z2 připojen k iTunes pomocí AirPlay, můžete ke spuštění či pozastavení přehrávání použít na dálkovém ovladači tlačítko Play/Pause (přehrát/pozastavit) a pro přeskokování skladeb tlačítka Next / Previous (následující / předchozí).
- K výběru jednotlivých vstupů můžete použít tlačítko Input (vstup) na dálkovém ovladači nebo tlačítko pohotovostního režimu přímo na přístroji, přičemž vstupy se mění postupně při každém stisku.

3.3 Automatické přepínání vstupů Z2

V následujících případech Z2 automaticky přepne na vstup AirPlay nebo se zapne z režimu spánku:

- Pokud je Z2 přepnutý na zadokovaný iPod či iPhone, na kterém již ovšem neprobíhá přehrávání, dojde v případě přítomnosti po AirPlay streamovaného signálu k automatickému přepnutí na vstup AirPlay.
- Je-li Z2 přepnutý na vstup AUX na kterém však není dostupný signál a přitom jej v iTunes zvolíte pro přehrávání AirPlay, dojde automaticky k přepnutí vstupu na AirPlay.
- Je-li Z2 v režimu spánku a přitom jej v iTunes zvolíte pro přehrávání AirPlay, dojde automaticky k jeho zapnutí a přepnutí vstupu na AirPlay.
- Je-li Z2 více než minutu v režimu spánku a přitom do jeho AUX vstupu pošlete nějaký audio signál, dojde automaticky k jeho zapnutí a přepnutí vstupu na AUX.



Obrázek 5
Konektivita Z2

4. Indikátor Z2

Indikátor Z2 může svítit různými barvami, kterými indikuje různé provozní stavy. Tabulka 1 popisuje barvy a jejich významy.

5. Připojení k bezdrátové síti a konfigurace iTunes

Chcete-li na Z2 přehrávat hudbu z iTunes pomocí AirPlay, musí se Z2 připojit ke stejné síti, na které bude počítač s nainstalovanými a spuštěnými iTunes. Získávání internetové adresy je na Z2 nastaveno na DHCP, což znamená, že jakmile se Z2 připojí k bezdrátové síti, není nutné jej dále konfigurovat. Před začátkem musíte znát název své domácí bezdrátové sítě a příslušné heslo.

5.1 Nastavení Z2 pomocí vašeho iOS zařízení (iPod touch, iPad či iPhone)

- Stáhněte si aplikaci "Bowers & Wilkins Control App" z App Store či www.bowers-wilkins.com/control
- Postupujte podle instrukcí na displeji

5.2 Nastavení pomocí MAC či PC

- Stáhněte si aplikaci "Bowers & Wilkins Control App" z App Store či www.bowers-wilkins.com/control
- Postupujte podle instrukcí na obrazovce

5.3 Nastavení Z2 pomocí kabelového připojení

Chcete-li nastavit přístroj Z2 tak, aby se připojoval k vaší ethernetové síti, nejdříve byste jej měli fyzicky připojit k Mac/PC pomocí ethernetového kabelu. Měli byste se při tom ujistit, že máte na svém Mac/PC vypnutou funkci bezdrátového připojení. Jakmile se připojíte, budete moci procházet stránku s nastavením Z2. Řiďte se kroky uvedenými níže.

Poznámka: Z2 může k přehrávání hudby pomocí AirPlay též použít kabelové síťové připojení.

- Odpojte od Z2 všechny kabely a vyjměte z něj vložený iPod či iPhone.
- Pomocí dodaného ethernetového kabelu spojte ETHERNET zdičku na zadním panelu Z2 s ethernetovým portem na počítači.
- Připojte napájecí kabel. Z2 se zapne a jeho indikátor bude červeně pulsovat.
- Následně začne kontrolka na Z2 blikat žlutě. Stiskněte na Z2 tlačítko hlasitosti označené '+', a držte jej stisknuté po dobu 4 vteřin. Kontrolka na Z2 by měla přejít na stálé fialové světlo, což značí, že je ustaveno síťové propojení.
- Na počítači připojeném k Z2 použijte internetový prohlížeč, zadejte standardní síťovou adresu pro Z2 (<http://169.254.1.1>) a stiskněte klávesu „return“. Otevře se strana s nastavením Z2.
- Stránka s nastavením vám poskytne možnost změnit název Z2. Změna názvu je vhodná, pokud je k síti připojeno více zařízení Z2. Do pole určeného pro název zadejte nový název Z2 (např. Z2 Kuchyně).

- Z roletkové nabídky vyberte název své domácí sítě a do příslušného pole zadejte heslo. Dbejte na to, abyste heslo zadali správně.
- Po dokončení vyplňování klepněte na tlačítko Apply s poté zavřete stranu nastavení Z2. Odpojte ethernetový kabel.
- Jakmile Z2 naváže spojení s vaší bezdrátovou sítí, jeho kontrolka začne svítit stálým fialovým světlem. Tato operace může trvat až 3 minuty.

Poznámka: Nezdáří-li se přístroji Z2 navázat spojení s bezdrátovou sítí, bývá nejčastější příčinou špatně zadané přístupové heslo. V takovém případě proveďte reset přístroje dle instrukcí v kapitole 7 a pak proveďte celé nastavení od začátku znovu.

5.4 Nastavení iTunes

Je-li Z2 připojen k vaší domácí síti (kabelové či bezdrátové), můžete jej nakonfigurovat v iTunes jako výstupní zařízení. Stačí Z2 vybrat jako výstupní zařízení mezi možnostmi v AirPlay pop-up menu.

Nyní bude zvuk z iTunes přehráván přes Z2. K bezdrátové síti lze připojit více přístrojů Z2 a použít je k přehrávání hudby v různých místnostech. Každé zařízení bude dostupné v nabídce zařízení iTunes a bude identifikovatelné buď podle názvu zadaného v nastavovací stránce, nebo (nebyl-li název měněn) podle posledních tří cifer svého výrobního čísla.

Barva kontrolky	Význam	Zvolený vstup
Žádná	Pohotovostní režim	Žádný
Tlumená červená	Režim spánku	Žádný
Pulzující červená	Náběh po zapnutí	Žádný
Dvojitě červené bliknutí	Reset	Žádný
Modrá	Zapnuto	Dock
Rychle blikající modrá	Dolaďování hlasitosti	Dock
Oranžová	Zapnuto	Aux
Rychle blikající oranžová	Dolaďování hlasitosti	Aux
Fialová	Zapnuto	AirPlay
Rychle blikající fialová	Dolaďování hlasitosti	AirPlay
Pomalou blikající fialová	Není síťové připojení	AirPlay
Rychle blikající červená	Chybná funkčnost	Kterýkoli
Pomalou blikající žlutá	Režim nastavování pro WiFi	Žádný
Bílá	Aktualizace firmware	Žádný
Blikající bílá	Chyba firmware	Žádný

Tabulka 1
Barvy kontrolky a jejich význam

6. Aktualizace firmwaru Z2

Na stránkách odborné pomoci společnosti Bowers & Wilkins se může čas od času objevit aktualizovaný firmware pro Z2, který lze stáhnout.

7. Resetování – nastavení hodnot z výroby

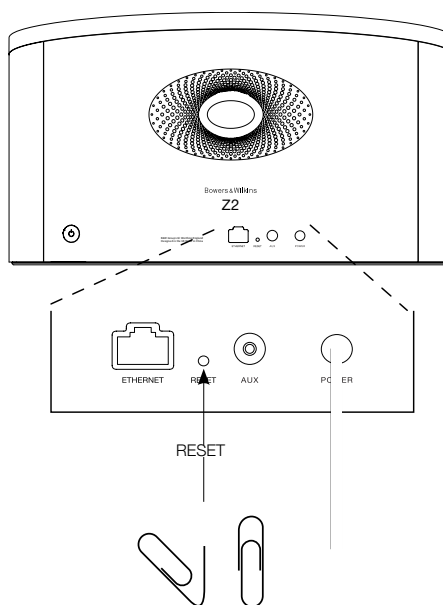
Z2 má na zadním panelu tlačítko, pomocí kterého můžete provádět reset nastavení. Tlačítko je zobrazeno na obrázku 6. Chcete-li vrátit síťové nastavení přístroje Z2 (pro vstup AirPlay) na původní hodnoty (tovární nastavení), připojte Z2 k napájení a zapněte jej. Podržte resetovací tlačítko na dvě vteřiny stisknuté. Kontrola by měla dvakrát červeně zablikat.

8. Čištění Z2

Z2 čistěte pouze hladkým hadříkem. Chcete-li použít čisticí roztok, použijte jej na hadřík, ne přímo na přístroj. Nejprve čištění vyzkoušejte na menší ploše (některé čisticí výrobky by mohly poškodit povrch). Vyhněte se výrobkům abrazivním nebo obsahujícím kyselá, alkalická nebo antibakteriální činidla.

9. Odstraňování problémů

Potřebujete-li pomoc při řešení určitého problému nebo potřebujete-li zodpovědět jakékoli dotazy, nahlédněte prosím sekce Řešení problémů (Troubleshooting guide) nebo do části Často kladené dotazy (Frequently Asked Questions) na stránkách odborné pomoci Z2. www.bowers-wilkins.com



Obrázek 6
Nastavení hodnot z výroby

Technické specifikace

Model	Z2
Popis	Bezdrátový hudební systém
Technické přednosti	Apple® AirPlay® technologie Lightning™ konektor Digital Signal Processing (DSP) Digitální zesilovač Spínaný zdroj Flowport™ Dálkové ovládání
Měníče	2x 87.5mm širokopásmový
Frekvenční rozsah	50Hz – 20kHz ±3dB v referenční ose
Frekvenční pásmo	-6dB na 42Hz a 22kHz
Výstupní výkon zesilovače	2x 20W
Napájení	100V – 240V ~ 50/60Hz
Provozní spotřeba	36W
Spotřeba v pohotovostním režimu	<0.5W
Provozní teplota	Tento výrobek je navržen pro práci v prostředí, kde teplota nepřekračuje 45°C
Vstupy	Lightning™ konektor Počítačová síť (RJ45 Ethernet či WiFi) AUX – analogový 3.5mm mini jack
Výška	180mm
Šířka	320mm
Hloubka	100mm
Hmotnost	2.6kg
Ozvučnice	Skelnými částicemi plněný ABS
Krycí mřížka	Kov
Apple kompatibilita	Lightning konektor přístroje Z2 je kompatibilní s iPhone 5, iPod touch (5th generation) a iPod nano (7th generation). Funkce AirPlay je kompatibilní s iPhone, iPod touch a iPad s iOS 4.3.3 nebo novějším, Mac s OS X Mountain Lion či Mac a PC s iTunes 10.2.2 nebo novější verzí.

Üdvözli Önt a Bowers & Wilkins és a Z2

Köszönjük, hogy a Bowers & Wilkins-t választotta. Amikor John Bowers megalapította a társaságot, célja az volt, hogy az ötletes dizájn, innovatív megoldások és fejlett technológia révén tökéletesítse az otthoni hangzásvilág élményét. Ez az elképzelés mai napig a vállalat mozdítórugója, amely minden termékünk tervezését meghatározza.

A Z2 jóval több, mint egy egyszerű iPod® dokkoló és hangszórórendszer. Az iPod vagy iPhone® készüléken tárolt zenefájlok hallgatása során:

- Lejátszhatja közvetlenül az iTunes®-on található zenefájlokat kábeles vagy vezeték nélküli kapcsolaton keresztül.
- Meghallgathatja a különböző külső audio forráson tárolt tartalmakat (pl. TV készülék vagy USB nélküli hordozható zenelejátszó).

Jelen útmutatóban minden szükséges információt megtalál ahhoz, hogy Z2 berendezéséből kihozza a maximumot. Kezdjük azzal, hogy ismertetjük a Z2 készülék csomagjának tartalmát.



1. A Z2 dobozának tartalma

1. Z2 készülék
2. Hálózati kábel
3. Távvezérlő
4. Dokumentum csomag

Környezetvédelmi információk

A termék megfelel a nemzetközi előírásoknak, ideértve, de nem kizárólagosan a veszélyes anyagok elektromos és elektronikus berendezésekben történő használatának korlátozását előíró RoHS irányelvet (**R**estriction **o**f **H**azardous **S**ubstances), a vegyi anyagok regisztrálásáról, értékeléséről, engedélyezéséről és korlátozásáról szóló REACH irányelvet (**R**egistration, **E**valuation, **A**uthorisation and restriction of **C**hemicals, valamint az elektromos és elektronikus berendezések hulladékairól szóló WEEE előírást (**W**aste **E**lectrical and **E**lectronic **E**quipment). A termék megfelelő leselejtezéséről vagy újrahasznosításáról további információkat a helyi hulladékkezelőtől vagy hatóságtól kérhet.

A lightning csatlakozás az iPhone 5, iPod touch (5. generációs), iPod nano (7. generációs) készülékekkel kompatibilis.

Az AirPlay funkció, az iPhone, iPod touch és iPad iOS 4.3.3 vagy újabb verziójú készülékekkel, Mac OS X Mountain Lion vagy Mac és PC iTunes 10.2.2 vagy újabb programokkal működik.



2. Csatlakozás a Z2 készülékéhez

A Z2 készüléket háromféleképpen csatlakoztathatja:

- AirPlay® használatával.
- A Lightning™ csatlakozó használatával.
- A hátsó panelen található AUX aljzaton keresztül.

A 1. ábrán a Z2 készülék hátoldalán található csatlakozó aljzatok láthatók.

AirPlay csatlakozás

A Z2 az AirPlay streamelési technológia révén akár vezeték nélküli, akár vezetékes (Ethernet kábel) kapcsolaton keresztül képes lejátszani az iTunes-ban található zenei tartalmakat. Ha az iTunes programot futtató számítógéppel közös hálózathoz csatlakoztatják, akkor a Z2 az AirPlay felugró menüjében kimeneti opcióként jelenik meg. Bővebb információkat a Z2 készülék otthoni hálózathoz csatlakoztatásáról és az iTunes tartalmak Z2 készüléken keresztüli lejátszásának beállításáról az 5. fejezetben olvashat.

Megjegyzés: Győződjön meg arról, hogy a legújabb verziójú iTunes-t használja.

Megjegyzés: A Z2 készülék Ethernet hálózathoz való csatlakoztatásához használjon szabványos Ethernet kábelt.

Az AirPlay csatlakozáson keresztül nem csak az iTunes-ban, hanem az iPod, iPhone vagy iPad® készülékén tárolt zenei tartalmakat is könnyedén streamelheti. A hangerőszabályzó funkcióval rendelkező iPod, iPhone vagy iPad alkalmazásokon megjelenik egy ikon, amivel kiválasztható a lejátszáshoz használni kívánt távoli hangszóró. A listán megjelenik a vezeték nélküli hatótávolságon belül észlelt összes Z2 készülék.

Lightning csatlakozó

A Z2 Lightning csatlakozója az iPhone 5, iPod touch (5. generációs) és iPod nano (7. generációs) készülékekkel kompatibilis. A régebbi iPod és iPhone modellek vagy más alternatív zenelejátszók a fejhallgató kimenetükről használhatóak, melyeket a Z2 hátlapján lévő AUX bemenetre kell csatlakoztatni. A dokkolt iPod és iPhone készülékeket a Z2 bekapcsolt, készenléti vagy alvó módban is tölti.

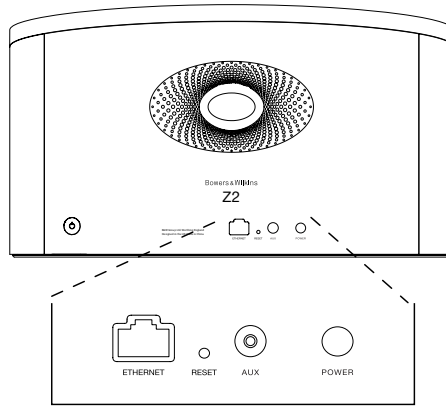
Vonalbemenet

Amennyiben külső analóg vagy digitális forráson tárolt zenefájlokat szeretne hallgatni, akkor csatlakoztassa az eszközt az Z2 AUX vonalbemenet csatlakozóaljzatához mini-jack dugós analóg kábellel.

Hálózati bemenet

A Z2 készüléket a mellékelt tápkábellel csatlakoztassa az elektromos hálózati aljzathoz.

Megjegyzés: A Z2 állapotjelzőjének színei és azok jelentése a 4. fejezetben található táblázatban láthatók.



1. ábra
A Z2 készülék hátlapja

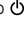
3. A Z2 készülék használata

A Z2 készülék kétféleképpen vezérelhető: az egységen található és a 2. ábrán ismertetett vezérlők segítségével, vagy távvezérlőn keresztül. Távvezérlő használata esetén először távolítsa el a távirányítóban található elem szigetelő fóliáját. Ennek folyamata a 3. ábrán látható. Az 4. ábra mutatja a távvezérlő egység legfontosabb funkcióit.

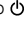

3.1 Bekapcsolás és kikapcsolás

A Z2 a hagyományos működési üzemmód mellett Készenléti és Alvó üzemmóddal is rendelkezik. Készenléti üzemmódban a Z2 készülék összes funkciója kikapcsol, és a berendezés áramfelvétele minimálisra csökken. Alvó üzemmódban a Z2 készülék a vezeték nélküli funkciók keresztül megőrzi a kapcsolatot a hálózattal. A készülék kijelzője Alvó üzemmódban halványpiros színnel világít, Készenléti üzemmódban pedig kikapcsol.

A Z2 készülék az alábbi műveletekkel kapcsolható be Készenléti üzemmódból:

- A Z2 egységen található Készenléti gomb  megnyomásával.
- iPod vagy iPhone készülék dokkolásával.

A Z2 készülék az alábbi műveletekkel kapcsolható be Alvó üzemmódból:

- A Z2 egységen található Készenléti gomb  megnyomásával.
- A távvezérlőn található Készenléti gomb  megnyomásával
- iPod vagy iPhone készülék dokkolásával.
- Zene streamelésével a Z2 készüléken AirPlay funkció használatával.
- Az AUX bemeneten keresztül érkező zene lejátszásával.

A Z2 készülék Készenléti vagy Alvó üzemmódból történő bekapcsolásakor a legutóljára használt forrás kerül kiválasztásra, feltéve, hogy még mindig csatlakoztatva van. Amennyiben a legutóbb használt forrás már nem csatlakozik a Z2 készülékhez, akkor az egység megvizsgálja a csatlakoztatott forrásokat (dokkoló, AirPlay, AUX vonalbemenet), és kiválasztja az első észlelt forrást. A készülék állapotjelzője átvált a kiválasztott bemeneti forrást jelző színre. Ha a Z2 készülék nem talál egyetlen csatlakoztatott forrást sem, akkor alapértelmezésben az AirPlay bemenetet választja ki.

Megjegyzés: Amennyiben az AirPlay bemenet korábban nem került beállításra, akkor az állapotjelző sárga színnel fog villogni.

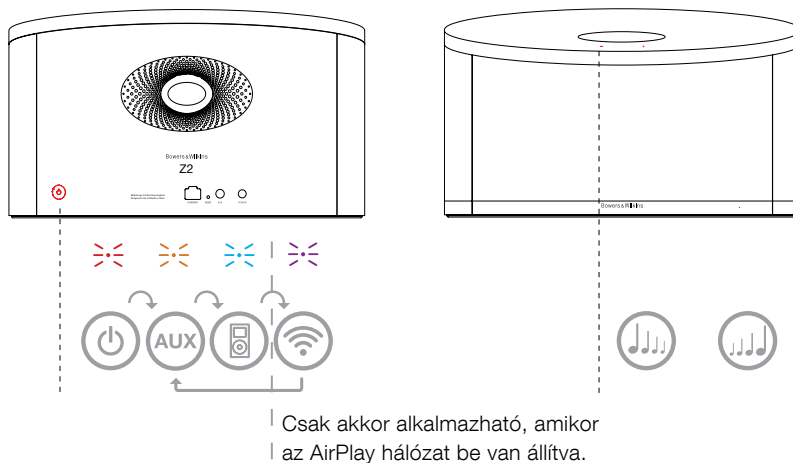
Megjegyzés: A Z2 állapotjelzőjének színei és azok jelentése a 4. fejezetben található táblázatban láthatók.

A Z2 készülék Alvó üzemmódba kapcsolásához nyomja meg a távvezérlőn található Készenléti gombot, vagy nyomja meg és két másodpercig tartsa nyomva a fejegységen található Készenléti gombot. Ekkor a Z2 állapotjelző halványpiros színnel kezd világítani.

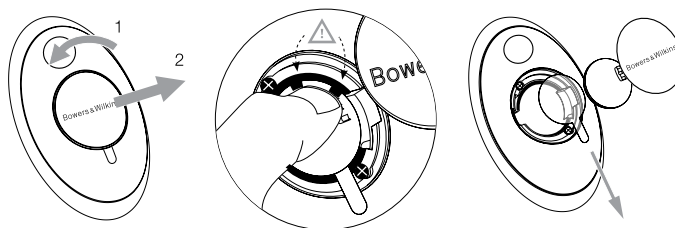
A Z2 készülék Készenléti üzemmódba kapcsolásához nyomja meg és 4 másodpercig tartsa nyomva a fejegységen található Készenléti gombot. A Z2 állapotjelzője ekkor kikapcsol.

Megjegyzés: A Z2 készülék a távvezérlővel nem kapcsolható Készenléti üzemmódba.

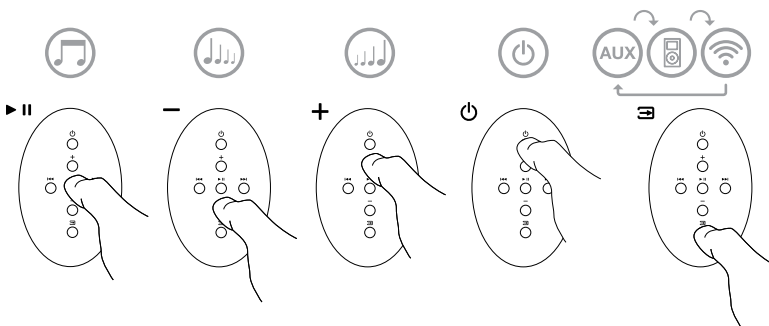
Megjegyzés: 30 perc inaktivitás után a Z2 automatikusan Alvó üzemmódba kapcsol.



2. ábra
A Z2 gombjainak ismertetése



3. ábra
A Z2 távvezérlő elem szigetelő fóliájának eltávolítása



4. ábra
A Z2 távvezérlőjén található gombok ismertetése

3.2 A Z2 funkciói

A 5. ábrán a Z2 és a hozzá csatlakoztatott összes támogatott audio és videó forrás látható.

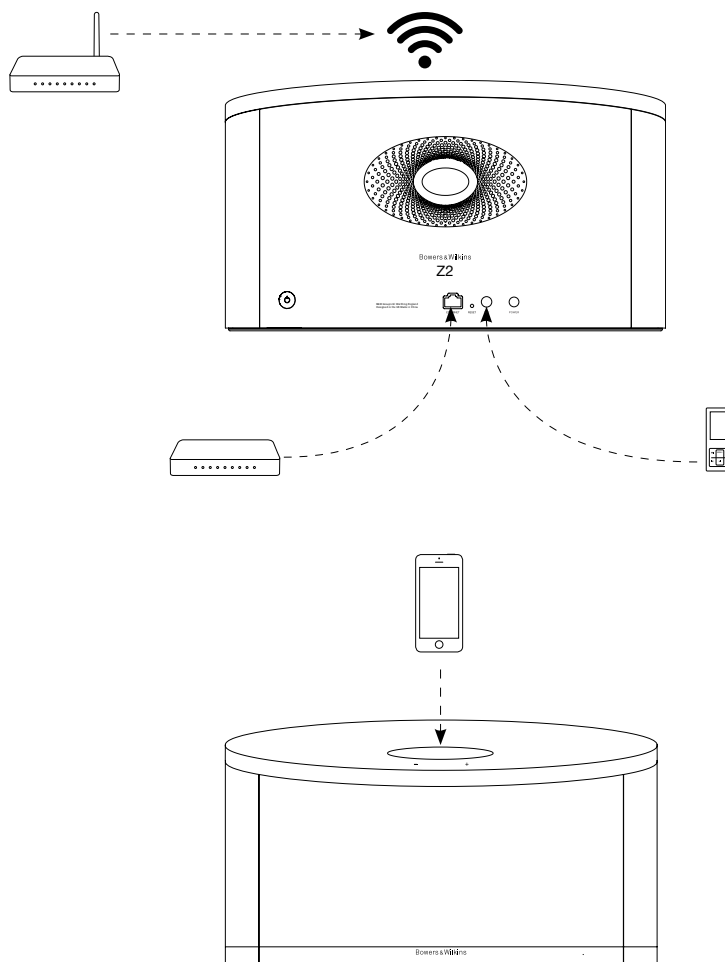
A Z2 készülék Készenléti vagy Alvó üzemmódból történő bekapcsolását követően:

- Meghallgathatja az iPod vagy iPhone készüléken tárolt zenei tartalmakat.
- Vezetékes vagy vezeték nélküli hálózathoz csatlakozva meghallgathatja az iTunes- ban tárolt tartalmakat az AirPlay funkció segítségével.
- Meghallgathatja a más típusú analóg forrásokon tárolt tartalmakat a Z2 vonalbemeneten (AUX) keresztül.
- A hangerő beállításához használja a távvezérlőn található Hangerőállító gombokat vagy a fejegységen található Hangerőállító gombokat.
- iPod vagy iPhone készülék dokkolásakor, illetve ha a Z2 az AirPlay funkción keresztül csatlakozik az iTunes -hoz, akkor a zenefájel elindításához és szüneteltetéséhez használja a távvezérlőn található Lejátszás/ Szünet gombot, illetve az előző vagy következő zeneszám kiválasztásához használja az Előző vagy Következő gombot.
- A csatlakoztatott bemeneti források közötti váltáshoz használhatja a távvezérlőn található Forrásválasztó gombot vagy a Z2 fejegységen található Készenléti gombot (ismételt megnyomás).

3.3 A Z2 Automatikus forrásválasztás funkciója

Bizonyos esetekben a Z2 automatikusan átvált az AirPlay bemeneti forrásra vagy bekapcsol az Alvó üzemmódból:

- Amennyiben a dokkoló bemenet kiválasztásakor, és a dokkolt iPod vagy iPhone készülék lejátszásának megállításakor a készülék az AirPlay bemeneti forrásra iTunes streamelt zenei tartalmat érzékel, akkor automatikusan kiválasztja az AirPlay bemenetet.
- Amennyiben a vonalbemenet (AUX) forrás van kiválasztva, de nincs jel és a készülék az AirPlay bemeneti forrásra iTunes streamelt zenei tartalmat érzékel, akkor automatikusan kiválasztja az AirPlay bemenetet.
- Amennyiben a Z2 készülék Alvó üzemmódban közben a készülék az AirPlay bemeneti forrásra iTunes streamelt zenei tartalmat érzékel, akkor a Z2 készülék bekapcsol és automatikusan elindítja a streamelt zenei tartalom lejátszását.
- Amennyiben a Z2 több mint egy perce Alvó módban van és audio jelet érzékel az AUX bemenetén, akkor automatikusan bekapcsol a készülék és AUX bemeneti módra kapcsol.



5. ábra
Z2 csatlakozási lehetőségek

4. A Z2 készülék állapotjelzője

A Z2 készülék állapotjelzője különböző színekkel jelzi a különböző működési üzemmódokat és állapotokat. Az 1. táblázat ismerteti az állapotjelző által használt színeket és azok jelentését.

5. Csatlakozás vezeték nélküli hálózatokhoz, és az iTunes beállítása

Ahhoz, hogy a Z2 készüléken az AirPlay funkció segítségével lejátszhassa az iTunes -ban található tartalmakat, a Z2 készüléket ugyanahhoz a hálózathoz kell csatlakoztatni, mint amelyikhez az iTunes programot futtató számítógép is csatlakozik. A Z2 hálózati címkiosztása DHCP-re van állítva, ami azt jelenti, hogy a vezeték nélküli hálózathoz csatlakozást követően nincs szükség további beállításokra. A művelet elkezdése előtt keresse elő az otthoni vezeték nélküli hálózathoz használt azonosítót és jelszót.

5.1 A Z2 beállítása iOS eszközről (iPod touch, iPad vagy iPhone)

- Töltse le a Bowers & Wilkins AirPlay Control' App alkalmazást az App Store-ból vagy a www.bowers-wilkins.com/control weboldalról.
- Kövesse a kijelzőn megjelenő utasításokat.

5.2 Beállítás Mac vagy PC segítségével

- Töltse le a Bowers & Wilkins AirPlay Control' App alkalmazást a Mac App Store-ból vagy a www.bowers-wilkins.com/control weboldalról.
- Kövesse a kijelzőn megjelenő utasításokat.

5.3 A Z2 készülék beállítása vezetékes kapcsolaton keresztül

A Z2 készülék vezeték nélküli hálózathoz csatlakoztatásához előbb fizikailag csatlakoztatni kell a készüléket a PC/Mac számítógéphez annak Ethernet csatlakozóján keresztül. Ügyeljen arra, hogy a Mac/PC vezeték nélküli lehetőségei ki legyenek kapcsolva. A csatlakoztatást követően nyissa meg a Z2 beállítási oldalt. Kövesse az alábbi lépéseket.

Megjegyzés: A Z2 készülék vezetékes hálózati kapcsolaton keresztül is támogatja az AirPlay streamelési funkciót.

- Válasszon le minden kábelt a Z2 készülékről, és távolítsa el a dokkolt iPod vagy iPhone készülékeket.
- Csatlakoztassa a Z2 készülék hátlapján található Ethernet aljzatot a számítógép Ethernet aljzatával a mellékelt Ethernet kábel segítségével.
- Csatlakoztassa a tápkábelt. Ekkor a Z2 készülék állapotjelzője piros színnel pulzál.
- Miután a Z2 állapotjelzője sárga villogásra vált, nyomja meg és tartsa lenyomva a Z2 készüléken található '+' hangerő gombot 4 másodpercig. Ezután az állapotjelző folyamatosan lila színnel kezd el villogítani jelezve, hogy a vezetékes hálózati kapcsolódás megtörtént.
- A Z2 készülékhez csatlakoztatott számítógépen nyissa meg az internetes böngésző programot, és gépelje be a Z2 készülék alapértelmezett hálózati címét (<http://169.254.1.1>) a böngésző címsorába, majd nyomja meg az Enter gombot. A számítógép monitorján megjelenik a Z2 készülék beállítási oldala.
- Az otthoni vezeték nélküli hálózathoz csatlakozás előtt a beállítási oldalon megváltoztathatja a Z2 készülék hálózati nevét. A névmódosítás funkció akkor lehet különösen hasznos, ha ugyanahhoz a hálózathoz több Z2 készüléket szeretne csatlakoztatni. Írja be a kívánt nevet (pl. Z2 Konyha) a Z2 Name (Z2 név) mezőbe.

- Válassza ki a legördülő listából az otthoni hálózat Nevét, majd írja be a jelszót a megfelelő mezőbe. Ügyeljen a Jelszó pontos és helyes megadására.
- Ha elkészült, akkor kattintson az Apply (Alkalmazás) gombra majd zárja be a Z2 beállítási oldalt. Válassza le az Ethernet kábelt.
- A Z2 állapotjelző folyamatosan lila színre vált, ha a vezeték nélküli hálózati kapcsolat létrejött. Ez akár 3 percig is eltarthat.

Megjegyzés: Ha a Z2 készülék nem tud az otthoni hálózathoz csatlakozni, ennek legvalószínűbb oka a hálózati jelszó hibás megadása. Kövesse a 7. fejezetben ismertetett visszaállítási lépéseket, majd kezdje előlről a hálózati beállítás folyamatát.

5.4 Az iTunes beállítása

A hálózathoz csatlakoztatott (vezetékes vagy vezeték nélküli) Z2-t, az iTunes-ban már ki tudja választani, mint kimeneti eszközt. A Z2 készülék, a felugró AirPlay menüben választható ki kimeneti opcióként. Az iTunes most már a Z2 készüléken keresztül játszik le.

A vezeték nélküli hálózathoz egyidejűleg több Z2 készülék is csatlakoztatható, így a zenei tartalmak több helyiségben is lejátszhatók. Mindegyik Z2 készülék megjelenik az iTunes eszközlístájában. Az egyes készülékeket a beállítási oldalon megadott nevük, vagy alapértelmezés szerint a sorozatszámuk utolsó három számjegye alapján tudja azonosítani.

Állapotjelző szín	Jelentés	Kiválasztott bemenet
Kikapcsolva	Készenlét	N/A
Halványpiros	Alvó mód	N/A
Pulzáló piros	Bekapcsolás	N/A
Kétszeri piros villanás	Beállítások törlése	N/A
Kék	Be	Dokk
Gyorsan villogó kék	Hangerő állítás	Dokk
Narancs	Be	Aux
Gyorsan villogó narancs	Hangerő állítás	Aux
Lila	Be	AirPlay
Gyorsan villogó lila	Hangerő állítás	AirPlay
Lassan villogó lila	Nincs hálózati kapcsolat	AirPlay
Gyorsan villogó piros	Nem megfelelő működés	Bármely
Lassan villogó sárga	Vezeték nélküli beállítási mód	N/A
Fehér	Firmware frissítés	N/A
Villogó fehér	Firmware hiba	N/A

1. Táblázat
Az állapotjelző színei és jelentésük

6. A Z2 firmware frissítése

A Bowers & Wilkins honlapjának Z2 támogatás részében (Support) időnként megjelennek ingyenes letölthető firmware frissítések

7. A Z2 gyári beállításainak visszaállítása

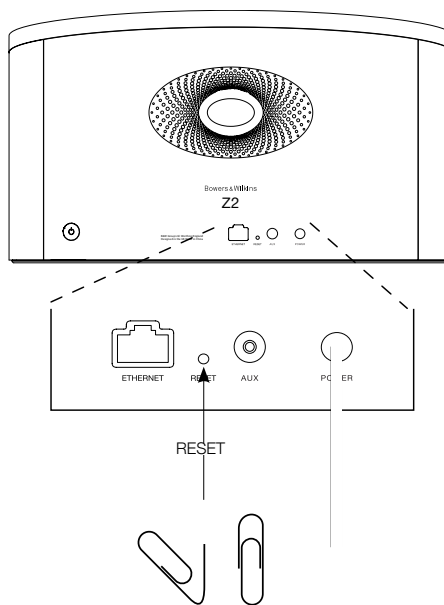
A Z2 készülék hátlapján található egy visszaállító gomb, amit egy hegyes tárgyval nyomhat meg. A visszaállító gomb a 6. ábrán látható. A Z2 készülék hálózati beállításainak (AirPlay bemeneti forrás) gyári alapértékre történő visszaállításához, elsőként győződjön meg arról, hogy a hálózati kábel csatlakoztatva van, majd kapcsolja be a Z2-t. Nyomja meg és tartsa lenyomva két másodpercig a visszaállító gombot. Az állapotjelző erre kétszer felvilágít piros színnel.

8. A Z2 készülék tisztítása

A hangszóróelem tisztításához használjon textilkefét vagy szívófejjel ellátott porszívó berendezést. A többi felületet törölje át pihementes ronggyal. Amennyiben tisztítószert szeretne használni, akkor azt a törölkendőre vigye fel, soha ne közvetlenül a Z2 felületére. Először próbálja ki a tisztítószert egy kevésbé fontos kisebb felületen, ellenőrizve a szer esetleges felületkárosító hatását. Ne használjon dörzshatású, illetve savat, lúgot vagy antibakteriális anyagokat tartalmazó tisztítószereket.

9. Hibaelhárítás

Amennyiben egy adott problémára keresi a megoldást, vagy szeretne választ kapni kérdéseire, kérjük, hogy tekintse meg a honlapunk Z2 terméktámogatási (Product Support) részében található Hibaelhárítási segédletet (Troubleshooting guide) vagy a Gyakran Ismételt Kérdéseket (Frequently Asked Questions; FAQ). Internetes honlapunk a www.bowers-wilkins.com címen érhető el.



6. ábra
A Z2 gyári beállításainak visszaállítása

Műszaki adatok

Modell	Z2
Leírás	Hangrendszer iPod® / iPhone®- hoz
Technikai jellemzők	Apple® AirPlay® technológia Lightning™ csatlakozó Digitális jelfeldolgozás (DSP) Kiváló minőségű D osztályú erősítő Kapcsolóüzemű tápegység Flowport™ Távvezérlő
Meghajtó egységek	2x 87,5mm (3.0 in) szélessávú sugárzó
Frekvencia válasz	50Hz – 20kHz ±3dB a referencia tengelyen
Frekvencia tartomány	-6dB- nél 42Hz és 22kHz
Erősítő kimeneti teljesítmény	2x 20W
Hálózati feszültség	100V – 240V ~ 50/60Hz
Névleges teljesítményfelvétel	36W
Készenléti teljesítményfelvétel	<0.5W
Működési hőmérséklet	Ez a termék normál hőmérsékleten lévő használathoz lett tervezve, maximum 45°C -ig.
Bemenetek	Lightning csatlakozó Hálózati (RJ45 Ethernet vagy Wi-Fi) Aux, analóg digitális (3,5mm mini jack)
Magasság	180mm
Szélesség	320mm
Mélység	100mm
Nettó súly	2.6kg
Kabinet	Üvegszállal erősített ABS
Előlap	Fém
Apple kompatibilitás	A lightning csatlakozás az iPhone 5, iPod touch (5. generációs), iPod nano (7. generációs) készülékekkel kompatibilis. Az AirPlay funkció, az iPhone, iPod touch és iPad iOS 4.3.3 vagy újabb verziójú készülékekkel, Mac OS X Mountain Lion vagy Mac és PC iTunes 10.2.2 vagy újabb programokkal működik.

Witamy w instrukcji obsługi urządzenia Z2 firmy Bowers & Wilkins

Dziękujemy za wybór firmy Bowers & Wilkins. Kiedy John Bowers stworzył naszą firmę, kierował się przekonaniem, że kreatywne wzornictwo, innowacyjne rozwiązania i zaawansowana technologia mają kluczowe znaczenie przy słuchaniu muzyki w domu. Jego poglądy są nadal inspiracją dla każdego z tworzonych przez nas produktów.

Urządzenie Z2 to coś więcej niż tylko stacja dokująca dla iPod®. Poza odtwarzaniem muzyki z iPod lub iPhone® Z2 można użyć do:

- odtwarzania dźwięku bezpośrednio z iTunes® zarówno przez kabel jak i bezprzewodowo
- podłączenia i odtwarzania ze źródła zewnętrznego takiego jak TV lub przenośny odtwarzacz muzyki (bez USB)

Niniejsza instrukcja zawiera wszelkie informacje niezbędne do użytkowania urządzenia Z2. Poniżej opisana została zawartość opakowania.



1. Zawartość opakowania urządzenia Z2

1. Urządzenie Z2
2. Kabel zasilania
3. Pilot
4. Zestaw dokumentów

Informacje o wpływie na środowisko

Niniejszy produkt jest zgodny z międzynarodowymi dyrektywami, włączając dyrektywy RoHS (**R**estriction **o**f **H**azardous **S**ubstances – ograniczenie użycia substancji niebezpiecznych) dla urządzeń elektrycznych i elektronicznych, REACH (**R**egistration, **E**valuation, **A**uthorisation and restriction of **C**hemicals – bezpiecznego stosowania chemikaliów poprzez ich rejestrację i ocenę) i WEEE (**W**aste **E**lectrical and **E**lectronic **E**quipment – utylizacja odpadów elektrycznych i elektronicznych). Aby uzyskać informacje na temat przetwarzania lub wyrzucania niniejszego produktu, należy skontaktować się z lokalną instytucją zajmującą się usuwaniem odpadów.

Złącze Lightning™ współpracuje z iPhone 5, iPod touch (5-a generacja) oraz iPod nano (7-a generacja).

AirPlay współpracuje z iPhone, iPod touch i iPad z systemem iOS 4.3.3 lub późniejszymi, z komputerami Mac z systemem OS X Mountain Lion oraz komputerami Mac i PC z iTunes 10.2.2 lub późniejszymi.



2. Podłączenie

Z2 można podłączyć na jeden z trzech poniższych sposobów:

- używając technologii AirPlay®
- przy użyciu złącza Lightning™
- używając wejścia AUX

Rysunek 1 przedstawia gniazda połączeniowe na tylnym panelu Z2.

Połączenie AirPlay

Urządzenie Z2 może odtwarzać muzykę z programu iTunes zarówno bezprzewodowo lub przez połączenie kablowe (Ethernet) przy użyciu technologii przesyłania AirPlay. Po podłączeniu do jednej sieci z komputerem z uruchomionym programem iTunes, urządzenie Z2 pojawi się jako opcja wyjścia w wyskakującym menu AirPlay. Więcej informacji na temat konfiguracji urządzenia Z2 do podłączania do sieci domowej i konfiguracji programu iTunes do odtwarzania przez urządzenie Z2 można znaleźć w Sekcji 5.

Uwaga: Upewnij się, że używasz najnowszej wersji programu iTunes.

Uwaga: Do połączenia urządzenia Z2 z siecią Ethernet niezbędny jest standardowy kabel Ethernet.

Oprócz przesyłania muzyki z programu iTunes, technologia AirPlay pozwala także na przesyłanie dźwięku bezpośrednio do urządzenia Z2 z urządzeń iPod, iPhone lub iPad. Dowolna aplikacja dla urządzeń iPod, iPhone lub iPad, która pozwala na kontrolę głośności, będzie mieć także dodatkową ikonę umożliwiającą wybór zdalnych głośników do odtwarzania. Wszystkie urządzenia Z2 w zasięgu zostaną uwzględnione w liście głośników do wyboru.

Dok odtwarzacza iPod ze złączem Lightning™

Złącze Lightning współpracuje z iPhone 5, iPod touch (5-a generacja) oraz iPod nano (7-a generacja). Starsze modele iPod i iPhone oraz inne odtwarzacze można podłączyć łącząc gniazdo słuchawkowe odtwarzacza oraz gniazdo AUX na panelu tylnym Z2. Urządzenia iPhone i iPod po podłączeniu do stacji dokującej są ładowane, jeśli tylko urządzenie Z2 jest włączone, jest w trybie czuwania lub uśpienia.

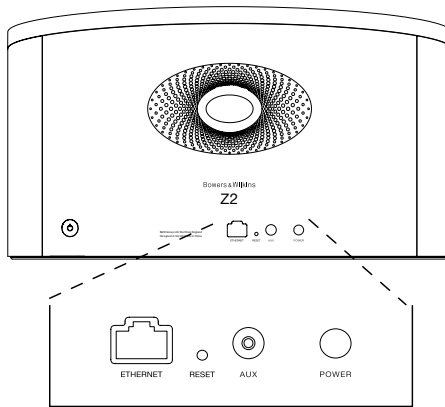
Wejście Auxiliary (AUX)

Jeśli użytkownik chce słuchać muzyki z zewnętrznego analogowego źródła, należy podłączyć je do gniazda AUX urządzenia Z2 przy użyciu kabla analogowego z wtyczką typu mini-jack.

Gniazdo zasilania (POWER)

Należy podłączyć urządzenie Z2 do źródła zasilania przy użyciu dołączonego kabla. Po pierwszym podłączeniu do źródła zasilania urządzenie Z2 automatycznie włączy się z diodą świecącą pulsującym czerwonym kolorem.

Uwaga: Tabela w sekcji 4 opisuje wszystkie kolory wskaźników urządzenia Z2 i ich znaczenie.



Rysunek 1
Panel tylny Z2

3. Używanie urządzenia Z2

Urządzenie Z2 można obsługiwać za pomocą przycisków znajdujących się na obudowie lub za pomocą pilota. Jeśli ma być użyty pilot, należy najpierw zdjąć zasłoniętą baterię. Czynność ta pokazana jest na Rysunku 3. Rysunek 4 pokazuje funkcje pilota.

3.1 Włączanie i wyłączanie

Oprócz normalnego trybu działania, urządzenie Z2 dysponuje trybami czuwania i uśpienia. W trybie czuwania wszystkie funkcje urządzenia Z2 są wyłączone, a zużycie energii jest zminimalizowane. W trybie uśpienia funkcja łączności bezprzewodowej urządzenia Z2 utrzymuje połączenie z siecią. Wskaźnik urządzenia Z2 świeci przyciemnionym czerwonym kolorem w trybie uśpienia i wyłącza się w trybie czuwania.

Z2 można włączyć z trybu czuwania w jeden z następujących sposobów:

- przez naciśnięcie przycisku Standby ϕ na urządzeniu
- przez zadokowanie w urządzeniu iPod lub iPhone

Z2 można włączyć z trybu uśpienia w jeden z następujących sposobów:

- przez naciśnięcie przycisku Standby ϕ na urządzeniu
- przez naciśnięcie przycisku Standby ϕ na pilocie zdalnego sterowania
- przez zadokowanie w urządzeniu iPod lub iPhone
- przez rozpoczęcie strumieniowania do Z2 przez technologię Airplay
- przez rozpoczęcie odtwarzania muzyki przez wejście AUX

Po włączeniu Z2 z trybu czuwania lub uśpienia wybrane zostanie ostatnie odtwarzane źródło, jeśli nadal jest podłączone do urządzenia. Jeśli ostatnie odtwarzane źródło nie jest już podłączone Z2 automatycznie zacznie skanować swoje wejścia AUX, Dock i AirPlay i wybierze pierwsze, które znajdzie. Diody Z2 zaczną świecić na kolor, który jest przypisany wybranemu źródłu. Jeśli żadne urządzenie nie jest podłączone, Z2 wybierze AirPlay.

Uwaga: Jeśli interfejs AirPlay nie został skonfigurowany, wskaźnik zaświeci się na żółto.

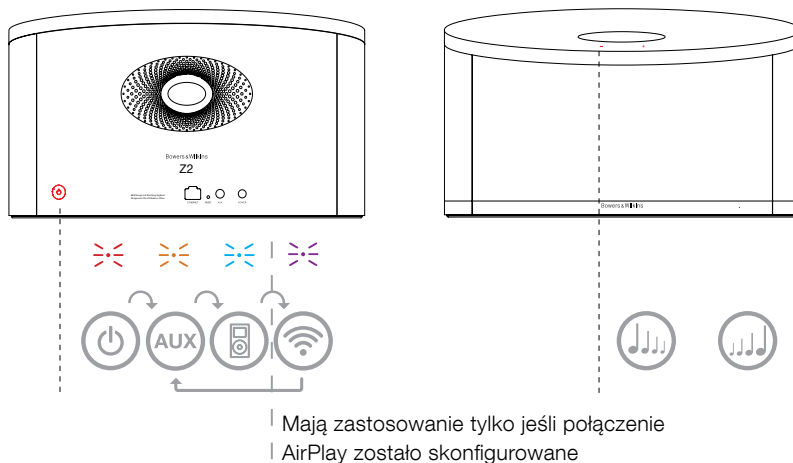
Uwaga: Tabela w sekcji 4 opisuje wszystkie kolory wskaźników urządzenia Z2 i ich znaczenie.

Aby przełączyć urządzenie Z2 w tryb uśpienia, należy nacisnąć przycisk Standby na pilocie lub nacisnąć i przytrzymać przycisk Standby na urządzeniu Z2 przez 2 sekundy. Wskaźnik urządzenia Z2 zaświeci ciemnoczerwonym kolorem.

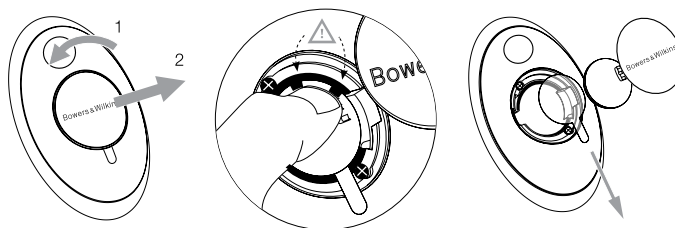
Aby przełączyć urządzenie Z2 w tryb czuwania, należy nacisnąć i przytrzymać przycisk Standby na urządzeniu Z2 przez 4 sekundy. Wskaźnik urządzenia Z2 wyłączy się.

Uwaga: Nie jest możliwe przełączenie urządzenia Z2 w tryb czuwania za pomocą pilota.

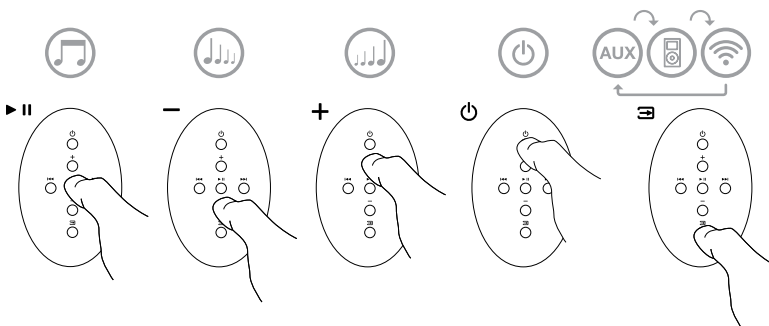
Uwaga: Z2 automatycznie przełączy się w tryb uśpienia jeśli nie będzie użytkowany przez 30 minut.



Rysunek 2
Kontrolki urządzenia Z2



Rysunek 3
Zdejmowanie zasłony baterii Z2



Rysunek 4
Pilot zdalnego sterowania Z2

3.2 Funkcje urządzenia Z2

Rysunek 5 przedstawia kompatybilność urządzenia Z2.

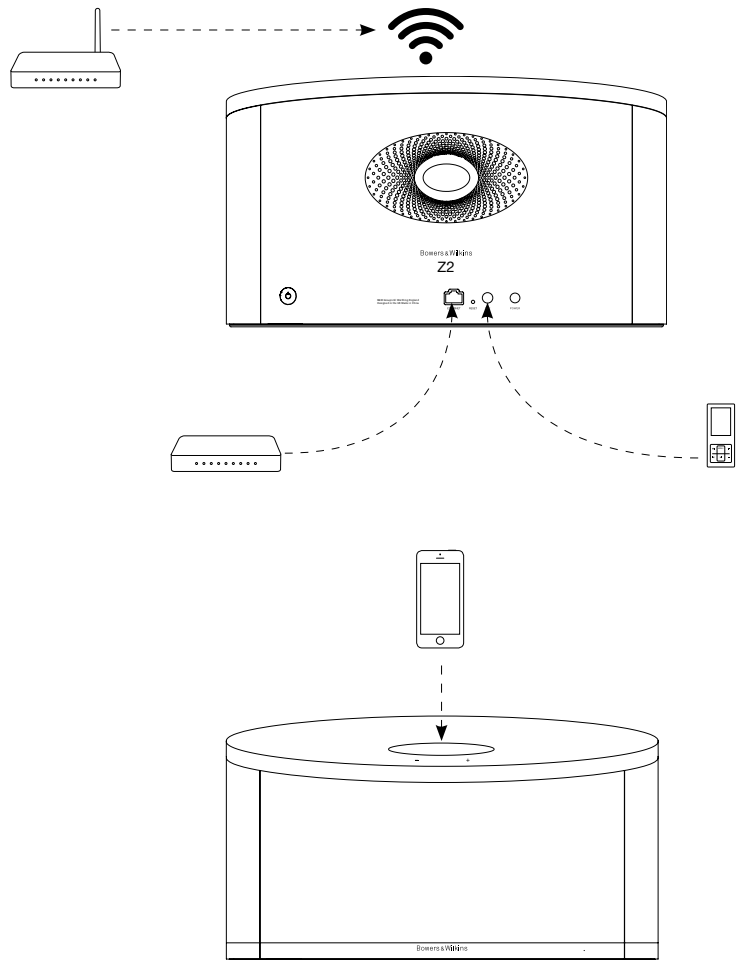
Po włączeniu urządzenia Z2 z trybu czuwania lub uśpienia można:

- słuchać muzyki z iPod lub iPhone
- połączyć się z kablową lub bezprzewodową siecią i słuchać muzyki z programu iTunes za pomocą interfejsu AirPlay.
- słuchać muzyki z innych źródeł analogowych za pomocą wejścia AUX.
- regulować głośność za pomocą klawiszy głośności pilota lub przycisków głośności na urządzeniu Z2.
- jeśli iPod lub iPhone są zadokowane w urządzeniu lub urządzenie jest połączone z programem iTunes za pomocą interfejsu AirPlay, można używać klawisza Play/Pause na pilocie, aby odtwarzać lub wstrzymać odtwarzanie muzyki oraz klawiszy Next i Previous, aby wybrać następny lub poprzedni utwór.
- używać przycisku Input na pilocie lub przycisku Standby na urządzeniu aby wybierać między źródłami.

3.3 Automatyczny wybór wejścia

W niektórych przypadkach urządzenie Z2 automatycznie wybierze wejście AirPlay lub włączy się z trybu uśpienia:

- jeśli zadokowany iPod lub iPhone przestaje grać to mimo wybranego wejścia Dock urządzenie automatycznie przełączy się na wejście AirPlay jeśli pojawi się na tym wejściu sygnał strumieniowany z iTunes
- jeśli do wejścia AUX jest podłączone urządzenie źródłowe, ale akurat nie odtwarza żadnego sygnału a na wejściu AirPlay jest obecny sygnał strumieniowany z iTunes
- jeśli w trybie uśpienia na wejściu AirPlay jest obecny sygnał strumieniowany z iTunes, urządzenie automatycznie włączy się i odtworzy sygnał
- jeśli Z2 jest w trybie uśpienia przez więcej niż minutę a na wejściu AUX pojawi się sygnał z urządzenia źródłowego, urządzenie automatycznie włączy się i odtworzy sygnał



Rysunek 5
Kompatybilność Z2

4. Wskaźnik urządzenia Z2

Wskaźnik urządzenia Z2 używa różnych kolorów, aby informować o różnych warunkach pracy. Tabela 1 opisuje ich znaczenia.

5. Połączenie z sieciami bezprzewodowymi i konfiguracja programu iTunes

Aby odtwarzać muzykę z programu iTunes na urządzeniu Z2 za pomocą interfejsu AirPlay, urządzenie Z2 musi dołączyć do tej samej sieci, w której pracuje komputer, na którym zainstalowany jest program iTunes. Urządzenie Z2 korzysta z funkcji adresowania sieciowego DHCP, dzięki czemu nie wymaga dalszej konfiguracji po podłączeniu do sieci bezprzewodowej. Niezbędna jest jednak nazwa sieci bezprzewodowej i jej hasło.

5.1 Konfiguracja urządzenia Z2 za pomocą urządzenia wyposażonego w system operacyjny iOS (iPod touch, iPad lub iPhone)

- ściągnij z AppStore lub ze strony www.bowers-wilkins.com/control aplikację „Bowers & Wilkins Control”
- postępuj zgodnie z instrukcjami w aplikacji.

5.2 Konfiguracja urządzenia Z2 za pomocą komputera PC lub Mac

- ściągnij z AppStore lub ze strony www.bowers-wilkins.com/control aplikację „Bowers & Wilkins Control”
- postępuj zgodnie z instrukcjami w aplikacji.

5.3 Konfiguracja urządzenia Z2 przy użyciu połączenia kablowego

Aby skonfigurować urządzenie Z2 w sieci bezprzewodowej, należy najpierw podłączyć je fizycznie do komputera Mac/PC przy użyciu kabla Ethernet. Upewnij się, że opcje łączenia się z sieciami bezprzewodowymi na Twoim komputerze są wyłączone. Po podłączeniu można przeglądać stronę konfiguracji urządzenia Z2. Należy wykonać opisane poniżej kroki.

Uwaga: Urządzenie Z2 może używać interfejsu AirPlay także w sieci przewodowej.

- Odłącz wszystkie kable z urządzenia Z2 i wyjmij wszystkie zadokowane urządzenia iPod lub iPhone
- Używając kabla Ethernet połącz tylne gniazdo ETHERNET urządzenia Z2 do gniazda Ethernet komputera.
- Podłącz kabel zasilania. Urządzenie Z2 włączy się z migającym czerwonym kolorem diody.
- Po chwili wskaźnik zacznie świecić na żółto. Naciśnij i przytrzymaj przez 4 sekundy przycisk regulacji głośności „+” na urządzeniu. Wskaźnik zaświeci się na purpurowo trybem ciągłym po ustanowieniu połączenia przewodowego z siecią
- Przy użyciu przeglądarki internetowej uruchomionej na komputerze, do którego jest podłączone urządzenie Z2 wprowadź domyślny adres sieciowy urządzenia Z2 (<http://169.254.1.1>) w pasku adresu i naciśnij klawisz „Enter”. Spowoduje to otwarcie strony konfiguracji urządzenia Z2.
- Strona konfiguracji umożliwia zmianę nazwy urządzenia Z2. Zmiana nazwy może być użyteczna, jeśli do sieci jest podłączone więcej niż jedno urządzenie Z2. Należy wprowadzić nową nazwę (np. Z2 Kuchnia) w polu Nazwa i wcisnąć „Enter”

- Należy wybrać nazwę swojej sieci domowej z rozwijanej listy i wprowadzić hasło w odpowiedniej ramce. Należy upewnić się, że hasło zostało wprowadzone poprawnie
- Po skończeniu, należy kliknąć przycisk Dołącz, a następnie zamknąć stronę konfiguracji urządzenia Z2. Należy odłączyć kabel Ethernet
- Wskaźnik urządzenia Z2 zaświeci się stałym purpurowym światłem, gdy zostanie ustanowione połączenie z siecią bezprzewodową. Potrwa to do 3 minut

Uwaga: Jeśli podłączenie urządzenia Z2 do domowej sieci bezprzewodowej nie powiedzie się, najbardziej prawdopodobną przyczyną jest błędnie wprowadzone hasło sieciowe. Należy zastosować się do instrukcji przywracania wartości fabrycznych, opisaną w Sekcji 7, i ponownie rozpocząć procedurę konfiguracji.

5.4 Konfiguracja iTunes

Po podłączeniu Z2 do sieci domowej (bezprzewodowo lub za pomocą kabla) możesz skonfigurować iTunes, aby Z2 było używane jako urządzenie wyjściowe. Wybierz Z2 jako urządzenie wyjściowe w wyskakującym menu AirPlay. iTunes będzie teraz odtwarzane za pomocą urządzenia Z2.

Do sieci bezprzewodowej można równocześnie e podłączyć wiele urządzeń Z2 i mogą być one używane w różnych pomieszczeniach. Każde z urządzeń będzie widoczne w menu iTunes według nazw nadanych w momencie konfiguracji lub według ostatnich trzech cyfr numeru seryjnego każdego z egzemplarzy.

Kolor diody	Znaczenie	Wybrane wejście
Wyłączona	Tryb czuwania	N/A
Ciemnoczerwona	Tryb uśpienia	N/A
Pulsująca czerwona	Włączanie	N/A
Migający czerwony dwukrotnie	Początek resetu	N/A
Niebieski	Urządzenie włączone	Dock
Szybko migający niebieski	Regulowana głośność	Dock
Pomarańczowy	Urządzenie włączone	AUX
Szybko migający pomarańczowy	Regulowana głośność	AUX
Purpurowy	Urządzenie włączone	AirPlay
Szybko migający purpurowy	Regulowana głośność	AirPlay
Wolno migający purpurowy	Brak podłączenia do sieci	AirPlay
Szybko migający czerwony	Niedozwolona operacja	Nie ma znaczenia
Wolno migający żółty	Tryb ustawień bezprzewodowych	N/A
Biały	Aktualizacja oprogramowania	N/A
Migający biały	Błąd oprogramowania	N/A

Tabela 1
Kolory wskaźnika i ich znaczenie

6. Aktualizacja oprogramowania Z2

Od czasu do czasu na stronie Bowers & Wilkins w sekcji Support urządzenia Z2 mogą pojawiać się aktualizacje oprogramowania do ściągnięcia.

7. Przywracanie ustawień fabrycznych urządzenia Z2

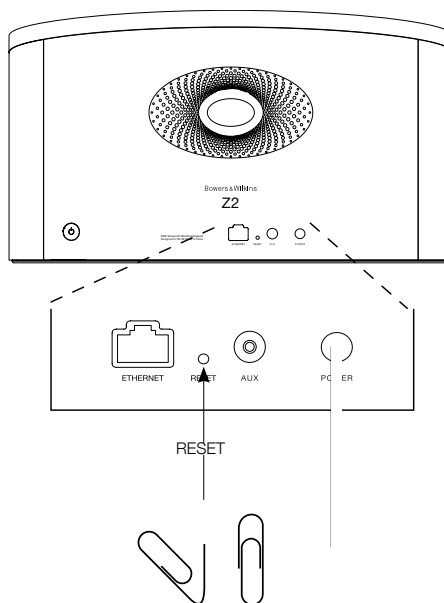
Urządzenie Z2 posiada otwór z przyciskiem reset, znajdujący się w pobliżu tylnego panelu ze złączami. Przycisk ten pokazany jest na Rysunku 6. Aby powrócić do fabrycznych ustawień sieciowych urządzenia Z2 (wejście AirPlay), upewnij się, że kabel zasilający jest podłączony a Z2 jest włączony. Naciśnij i przytrzymaj przycisk resetu przez 2 sekundy. Wskaźnik urządzenia mignie dwukrotnie na czerwono.

8. Czyszczenie urządzenia Z2

Urządzenie należy wycierać pozbawioną klaczków tkaniną. Jeśli używany jest środek czyszczący, należy aplikować go na ściereczkę, a nie bezpośrednio na Z2. Użyty środek należy najpierw przetestować na małym obszarze, ponieważ może on spowodować uszkodzenie niektórych powierzchni. Należy unikać środków żrących lub zawierających substancje kwaśne, alkaliczne bądź antybakteryjne.

9. Usuwanie problemów

Jeśli konieczne jest usunięcie określonego problemu lub znalezienie odpowiedzi na pytanie związane z użytkowaniem urządzenia, należy skorzystać z sekcji Support na naszej witrynie internetowej www.bowers-wilkins.com



Rysunek 6
Reset fabryczny Z2

Specyfikacje techniczne

Model	Z2
Opis	Bezprzewodowy system muzyczny
Funkcje techniczne	Technologia Apple® AirPlay® Złącze Lightning™ Digital Signal Processing (DSP) Wysokiej jakości wzmacniacz Klasy D Zasilacz trybu switch Flowport™ Pilot zdalnego sterowania
Głośniki	Pełnozakresowe 2x 87.5mm
Pasma przenoszenia	50Hz – 20kHz ±3dB
Zakres częstotliwości	-6dB przy 42Hz i 22kHz
Moc wyjściowa wzmacniacza	2x 20W
Napięcie wejściowe	100V – 240V ~ 50/60Hz
Pobór mocy	36W
Pobór mocy w trybie czuwania	<0.5W
Temperatura operacyjna	Do 45 stopni Celsjusza
Wejścia	Złącze Lightning™ Sieciowe (RJ45 Ethernet lub Wi-Fi) AUX – analogowe (3.5 mm mini-jack)
Wysokość	180 mm
Szerokość	320 mm
Głębokość	100 mm
Waga netto	2.6 kg
Obudowa	Tworzywo ABS wypełnione szkłem
Maskownice	Metalowe
Kompatybilność z produktami Apple	Złącze Lightning™ współpracuje z iPhone 5, iPod touch (5-a generacja) oraz iPod nano (7-a generacja). AirPlay współpracuje z iPhone, iPod touch i iPad z systemem iOS 4.3.3 lub późniejszymi, z komputerami Mac z systemem OS X Mountain Lion oraz komputerami Mac i PC z iTunes 10.2.2 lub późniejszymi.

Välkommen till Bowers & Wilkins och Z2

Vår grundare, John Bowers, ansåg att fantasifull design, uppfinningsrik ingenjörskonst och avancerad teknik är det som behövs för att göra ljudåtergivning hemma underhållande. Vi arbetar fortfarande efter hans övertygelse och den ger oss inspiration varje gång vi utvecklar en produkt.

Z2 är mer än bara en iPod®-docka. Förutom att lyssna på musik som ligger lagrad på din iPod eller iPhone kan du använda den för att:

- Spela upp ljud direkt från iTunes® via antingen en kabel eller en trådlös nätverksanslutning.
- Ansluta och lyssna på en extern ljudkälla, exempelvis TV eller bärbar musikspelare som inte har USB.

I den här manualen finns allt du behöver veta för att få ut så mycket som möjligt av din Z2. Först kommer en beskrivning av vad Z2-kartongen innehåller.



1. Innehåll i Z2-kartongen

1. Z2
2. Strömkabel
3. Fjärrkontroll
4. Dokumentpaket

Miljöinformation

Den här produkten överensstämmer med internationella direktiv, inklusive men inte begränsade till RoHS-direktivet (begränsning av användningen av vissa farliga ämnen i elektriska och elektroniska produkter), REACH-direktivet om registrering, utvärdering, godkännande och begränsande av kemikalier samt WEEE-direktivet som rör kassering av elektrisk och elektronisk utrustning. Hör med kommunen där du bor för att få veta hur du ska göra för att återvinna eller kassera produkten.

Lightning-kontakten fungerar med iPhone 5, iPod touch (5:e generationen) och iPod nano (7:e generationen)

AirPlay fungerar med iPhone, iPod touch och iPad med iOS 4.3.3 eller senare versioner, Mac med OS X Mountain Lion eller Mac och PC med iTunes 10.2.2 eller senare versioner.



2. Koppla in Z2

Du kan ansluta till din Z2 på tre olika sätt:

- Med AirPlay®
- Med Lightning™-kontakten
- Med Aux-ingången

I bild 1 ser du kontakterna på Z2:s baksida.

AirPlay-anslutning

Med Z2 kan du spela upp ljud från iTunes antingen trådlöst eller via en ethernet-anslutning med hjälp av AirPlay-streamingteknik. När du är ansluten till samma nätverk som en dator som kör iTunes fungerar Z2 som ett ljudalternativ som visas i pop-up-menyn för AirPlay. I avsnitt 5 finns information om hur du konfigurerar Z2 så att den blir en del av ditt hemnätverk samt hur du konfigurerar iTunes att spela musik med Z2.

Obs! Se till att du har installerat den senaste versionen av iTunes.

Obs! En vanlig nätverkskabel behövs om du vill ansluta din Z2 till ett Ethernet-nätverk.

Förutom att streama ljud från iTunes kan du också använda AirPlay för att streama ljud direkt till Z2 från en iPod touch, iPhone eller iPad®. Alla program för iPod, iPhone eller iPad som har en volymkontroll har även en extra ikon som gör det möjligt att välja bland tillgängliga fjärrhögtalare för uppspelning. Alla AirPlay-enheter som finns inom den trådlösa räckvidden finns med i listan över högtalare.

Lightning-kontakt

Z2:s Lightning-kontakt är kompatibel med iPhone 5, iPod touch (5:e generationen) och iPod nano (7:e generationen). Äldre iPod- och iPhone-modeller, eller andra musikspelare, kan användas om du ansluter deras hörlursuttag till AUX-ingången på baksidan. iPhone- och iPod-modeller laddas alltid när de dockas om Z2 är påslagen, i standby-läge eller i viloläge.

AUX-ingång

Om du vill lyssna på en extern analog ljudkälla ansluter du den till AUX-ingången på Z2 med en analog kabel som har en minijack-kontakt.

Strömingång

Anslut Z2 till ett eluttag med den medföljande strömkabeln. När kabeln ansluts sätts Z2 på automatiskt och indikatorn pulserar med ett rött sken.

Obs! I tabellen i avsnitt 4 beskrivs alla indikatorfärger för din Z2 och vad de betyder.

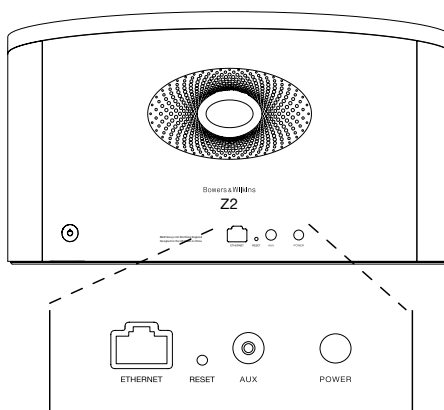


Bild 1
Baksidan på Z2


3. Använda Z2

Z2 kan skötas från kontrollerna på enheten, vilket visas i bild 2, eller från fjärrkontrollen. Innan du kan använda fjärrkontrollen måste du ta bort skyddsfliken från batteriet. Detta visas i bild 3. I bild 4 ser du fjärrkontrollens huvudfunktioner.



3.1 Sätta på och stänga av

Förutom det normala driftsläget har Z2 både ett standby-läge och ett viloläge. I standby-läget är alla Z2s funktioner avstängda och strömförbrukningen är låg. I viloläget är Z2s trådlösa funktion fortfarande ansluten till nätverket. Indikatorlampan lyser med ett dämpat rött sken i viloläget och är släckt i standby-läget.

Du kan sätta på Z2 från standby-läget genom att göra något av följande:

- Tryck på Z2:s standby-knapp 
- Docka en iPod eller en iPhone

Du kan sätta på Z2 från viloläget genom att göra något av följande:

- Tryck på Z2:s standby-knapp 
- Tryck på fjärrkontrollens standby-knapp 
- Docka en iPod eller en iPhone
- Streama musik till Z2 via AirPlay
- Spela musik till AUX-ingången

När Z2 sätts på från standby- eller viloläget används den senast använda ingången om den fortfarande är ansluten. Om den ingång som användes senast inte är ansluten längre söker Z2 automatiskt igenom ingångarna (Aux, docka, AirPlay) och väljer den första anslutna ingång som hittas. Indikatorlampan på Z2 ändrar färg beroende på vilken ingång som valts. Om ingen ansluten ingång hittas väljs AirPlay som standard.

Obs! Om AirPlay inte har konfigurerats blinkar indikatorlampan gult.

Obs! I tabellen i avsnitt 4 beskrivs indikatorlampans färger och vad de betyder.

Om du vill försätta Z2 i viloläge trycker du antingen på Standby-knappen på fjärrkontrollen eller håller ned Standby-knappen på Z2 i två sekunder. Z2-indikatorlampan börjar lysa med ett dämpat rött sken.

Om du vill försätta Z2 i standby-läge håller du ned Standby-knappen i fyra sekunder. Z2-indikatorlampan släcks.

Obs! Det går inte att försätta Z2 i standby-läge från fjärrkontrollen.

Obs! Z2 går automatiskt i viloläge om den inte använts på 30 minuter.

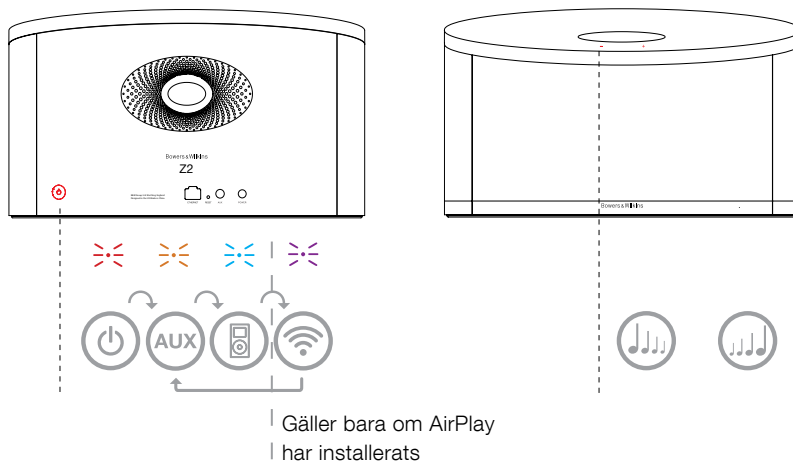


Bild 2
Översikt över Z2-kontrollerna

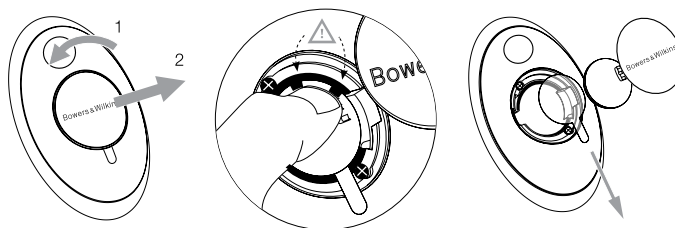


Bild 3
Så här gör du när du tar bort skyddsfliken

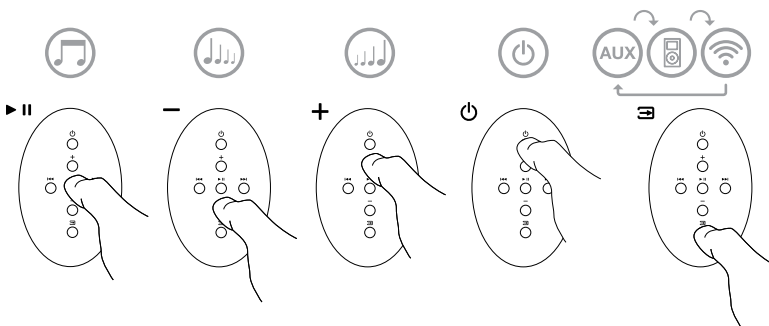


Bild 4
Översikt över Z2-fjärrkontrollen

3.2 Z2-funktioner

I bild 5 visas alla Z2:s ljud- och videoanslutningar

När Z2 har satts på från standby- eller viloläget:

- kan du lyssna på musik från din iPod eller iPhone
- kan du ansluta till ett trådanlutet eller trådlöst nätverk och lyssna på iTunes-musik via AirPlay
- kan du lyssna på andra digitala eller analoga ljudkällor via AUX-ingången på Z2
- kan du använda volymknapparna på fjärrkontrollen eller Z2s volymknappar för att styra volymen.
- Om du har dockat din iPod eller iPhone, eller om Z2 är ansluten till iTunes via AirPlay, kan du använda play/paus-knapparna på fjärrkontrollen för att spela upp eller pausa musik, eller föregående/nästa-knapparna för att byta låt.
- Du kan använda fjärrkontrollens ingångsknapp eller Standby-knappen på Z2 för att välja anslutna ingångar.

3.3 Automatisk ingångsväxling i Z2

I vissa fall växlar Z2 automatiskt till AirPlay-ingången eller slås på från viloläget:

- Om det finns streamat ljud från iTunes i AirPlay-ingången när dockninggången har valts och en dockad iPod eller iPhone slutar att spela upp ljud väljs AirPlay-ingången automatiskt.
- Om det finns streamat ljud från iTunes i AirPlay-ingången när AUX-ingången har valts men inget ljud spelas upp väljs AirPlay-ingången automatiskt.
- Om det finns streamat ljud från iTunes i AirPlay-ingången när Z2 är i viloläget slås den automatiskt på och spelar upp det streamade ljudet.
- När Z2 har varit i viloläge i mer än en minut och en ljudsignal upptäcks i AUX-ingången sätts den på automatisk och spelar ljudet som kommer i AUX-ingången.

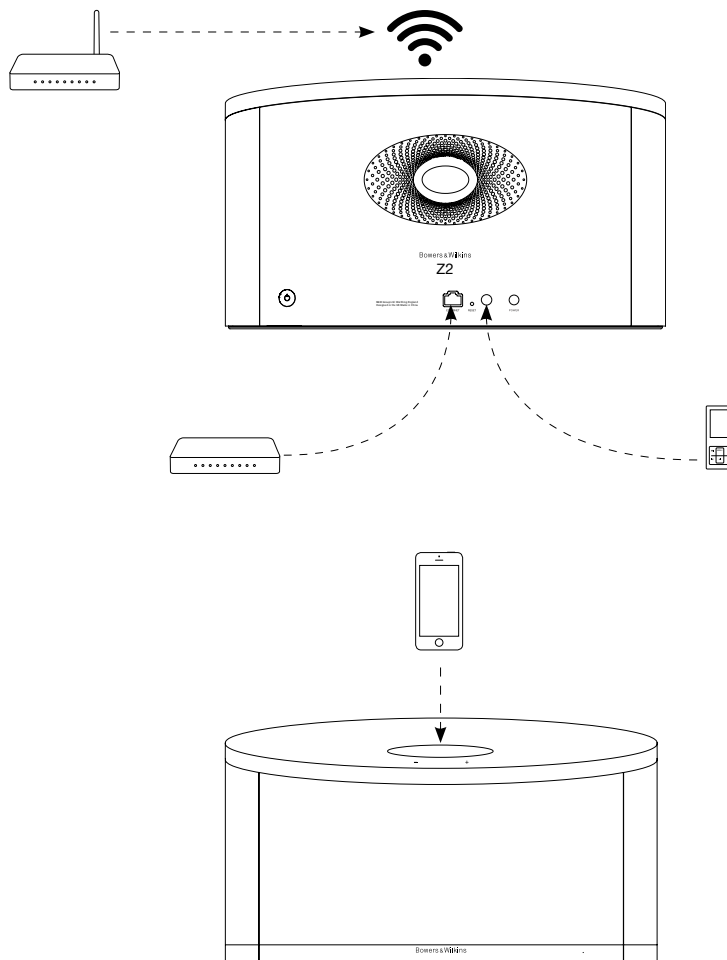


Bild 5
Anslutningsmöjligheter med Z2

4. Z2:s indikatorlampa

Z2:s indikatorlampa lyser med olika färger för att visa olika driftstillstånd. I tabell 1 beskrivs färgerna och vad de betyder.

5. Anslut till trådlösa nätverk och konfigurera iTunes

För att du ska kunna spela upp iTunes-musik på Z2 med AirPlay måste du ansluta den till samma nätverk som den dator där iTunes är installerat och körs. Nätverksinställningarna för Z2 har angetts till DHCP, vilket innebär att när du väl har anslutit till det trådlösa nätverket behöver du inte konfigurera systemet mer. Du måste veta namnet på och lösenordet till ditt trådlösa hemnätverk innan du börjar.

5.1 Konfigurera Z2 med en iOS-enhet (iPhone, iPad, iPod touch)

- Ladda ned "Bowers & Wilkins Control"-appen från App Store eller genom att gå till www.bowers-wilkins.com/control
- Följ instruktionerna som visas på skärmen.

5.2 Konfigurera med Mac eller PC

- Ladda ned "Bowers & Wilkins Control"-appen från App Store eller genom att gå till www.bowers-wilkins.com/control
- Följ instruktionerna som visas på skärmen.

5.3 Konfigurera Z2 med en trådbunden anslutning

Om du vill konfigurera Z2 så att den ingår i ditt trådlösa nätverk måste du först ansluta den fysiskt till din Mac eller PC med en nätverkskabel. Se till att din Mac/PC-dators trådlösa funktioner är tillfälligt avstängda. När du är ansluten går du till konfigurationssidan för Z2. Gör så här:

Obs! Z2 kan även använda ett trådbundet nätverk för AirPlay-streaming.

- Koppla bort alla kablar från Z2 och ta bort din iPod eller iPhone från dockan.
- Använd en nätverkskabel mellan Ethernet-kontakten på Z2s baksida och en nätverkskontakt på datorn.
- Anslut strömkabeln. Z2 slås på och indikatorlampan pulserar med ett rött sken.
- När Z2s indikatorlampa börjar blinka gult håller du in "volym +"-knappen på Z2 i fyra sekunder. Indikatorlampan lyser lila med ett fast sken när en trådlös nätverksanslutning har upprättats.
- På den dator som är ansluten till Z2 använder du en webbläsare och skriver in nätverksadressen (<http://169.254.1.1>) i webbläsarens adressfält. Tryck på Retur. Z2s konfigurationssida öppnas.
- På konfigurationssidan kan du byta namn på Z2. Det kan vara bra att byta namn om du vill ansluta fler än en Z2-enhet till nätverket. Ange ett nytt namn (till exempel "Z2 i köket") i namnrueten.

- Välj namnet på ditt hemnätverk från listan och ange lösenordet i rutan. Se till att du skriver lösenordet korrekt.
- När du är klar klickar du på Apply-knappen och stäng sedan konfigurationssidan. Ta bort nätverkskabeln.
- Indikatorlampan för Z2 växlar till ett fast lila sken när den trådlösa nätverksanslutningen är upprättad. Detta kan ta uppemot 3 minuter.

Obs! Om Z2 inte kan ansluta till ditt trådlösa hemnätverk är det troligast att du har angett ett felaktigt nätverkslösenord. Följ anvisningarna för återställning i avsnitt 7 och börja konfigurera nätverksanslutningen igen.

5.4 Konfigurera iTunes

När Z2 är ansluten till ditt hemnätverk (trådbundet eller trådlöst) kan du konfigurera iTunes så att Z2 används som utenhet. Välj Z2 som utenhet i popup-menyn för AirPlay. iTunes spelas nu genom Z2.

Du kan ansluta flera Z2-enheter till det trådlösa nätverket och lyssna på musik i olika rum. Högtalarna kommer att finnas tillgängliga i iTunes enhetsmeny, antingen med de namn som angavs på konfigurationssidan, eller som standard med de sista tre siffrorna i serienumret.

Indikatorlampans färg	Innebörd	Vald ingång
Släckt	Standby-läge	-
Matt röd	Viloläge	-
Pulserande röd	Startar	-
Två röda blinkningar	Återställning påbörjad	-
Blå	På	Docka
Snabba blå blinkningar	Volymjustering	Docka
Orange	På	AUX
Snabba orange blinkningar	Volymjustering	AUX
Lila	På	AirPlay
Snabba lila blinkningar	Volymjustering	AirPlay
Långsamma lila blinkningar	Inget nätverk anslutet	AirPlay
Snabba röda blinkningar	Ogiltig funktion	Alla
Långsamma gula blinkningar	Läge för trådlös konfiguration	-
Vit	Firmware-uppdatering	-
Blinkande vit	Firmware-fel	-

Tabell 1
Indikatorlampans färger och innebörd

6. Firmware-uppdateringar för Z2

Uppdaterad firmware för Z2 kan ibland finnas tillgänglig för nedladdning från supportsidorna för Z2 på Bowers & Wilkins webbplats.

7. Återställning av Z2

Z2 har en liten återställningsknapp som sitter på den bakre anslutningspanelen. Återställningsknappen visas i bild 6. Om du vill återställa Z2:s nätverksinställningar (AirPlay) till fabriksinställningarna ser du till att strömkabeln är ansluten och slår på Z2. Vänta i 60 sekunder och tryck sedan på återställningsknappen i två sekunder. Indikatorlampan blinkar då rött två gånger.

8. Rengöra Z2

Använd en ren, luddfri trasa när du rengör Z2. Om du använder något rengöringsmedel applicerar du det på trasan, inte direkt på Z2. Prova på ett litet område först eftersom vissa rengöringsprodukter kan skada vissa av ytorna. Undvik produkter som repar eller innehåller syror, alkaliska kemikalier eller antibakteriella ämnen.

9. Felsökning

Om du vill ha hjälp med att felsöka ett visst problem eller om du har en fråga som du skulle vilja få svar på läser du vår felsökningsguide eller avsnittet Frequently Asked Questions (Vanliga frågor och svar) på Z2-sidan på vår webbplats www.bowers-wilkins.com

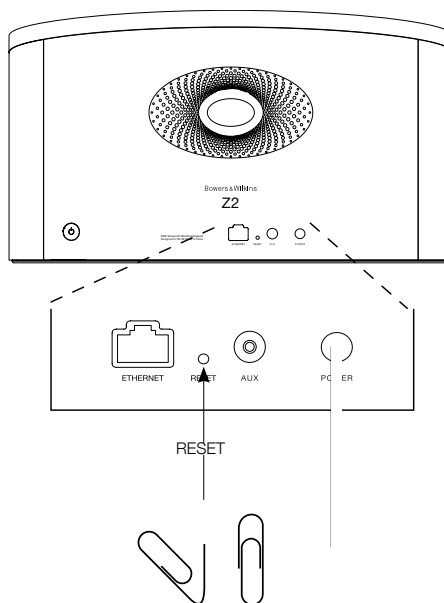


Bild 6
Återställning av Z2

Specifikationer

Modell	Z2
Beskrivning	Trådlöst högtalarsystem
Tekniska egenskaper	Apple® AirPlay®-teknik Lightning™-kontakt Digital signalbehandling (DSP) Klas D-förstärkare av hög kvalitet Switch Mode-nätdel Flowport™ Fjärrkontroll
Högtalarelement	2x87,5-mm fullregister
Frekvensrespons	50–20 000 Hz (+/-3 dB) on-axis
Frekvensomfång	-6 dB vid 42 Hz och 22 kHz
Förstärkareffekt	2x20 watt
Nätspänning	100–240 volt växelström, 50/60 Hz
Strömförbrukning	36 watt
Strömförbrukning, standby-läge	0,5 watt
Arbetstemperatur	Denna produkt är gjord för att fungera i temperaturer upp till 45°C
Ingångar	Lightning™-kontakt Nätverk (RJ45 Ethernet eller Wi-Fi) AUX – analog 3,5-mm minijack)
Höjd	180 mm
Bredd	320 mm
Djup	10 mm
Vikt	2,6 kg
Utförande	Glasfylld ABS
Grill	Metall
Apple-kompatibilitet	Lightning-kontakten fungerar med iPhone 5, iPod touch (5:e generationen) och iPod nano (7:e generationen) AirPlay fungerar med iPhone, iPod touch och iPad med iOS 4.3.3 eller senare versioner, Mac med OS X Mountain Lion eller Mac och PC med iTunes 10.2.2 eller senare versioner.

Velkommen til Bowers & Wilkins og Z2

Takk for at du valgte Bowers & Wilkins. Da John Bowers etablerte Bowers & Wilkins gjorde han det med overbevisningen om at god design, innovativ ingeniørkunst og avansert teknologi var nøkkelen til å oppleve god lyd i hjemmet. Denne overbevisning videreføres den dag i dag, og er inspirasjon for alle de produkter vi skaper.

Z2 er mer enn kun en iPod høyttaler. I tillegg til å lytte på musikk lagret på din iPod eller iPhone kan du med Z2 også:

- Spille musikk fra iTunes via kablet eller trådløst nettverk.
- Koble til og lytte til eksterne lydskilder som TV og mediespillere.

Denne manualen forteller deg det du trenger å vite for å få mest mulig glede av din Z2. Vi begynner med å gå gjennom innholdet i esken.



1. Innholdet i Z2 esken

1. Z2
2. Strømkabel
4. Fjernkontroll
5. Diverse dokumenter

Informasjon relatert til miljø

Dette produktet er designet for å overholde følgende direktiver: ROHS (**R**estrictions **o**f **H**azardous **S**ubstances) – restriksjoner på bruk av farlige materialer i elektriske og elektroniske produkter. REACH (**R**egistration, **E**valuation, **A**uthorisation and restriction of **C**hemicals) – registrering, evaluering, autorisering og begrensning av bruk av kjemikalier i produkter. WEEE (**W**aste **E**lectrical and **E**lectronic **E**quipment) – direktiv for korrekt deponering av elektriske og elektroniske produkter. Kontakt dine lokale myndigheter for mer informasjon om hvordan dette produktet skal resirkuleres eller prosesseres.

Lightning™-kontakten virker med iPhone 5, iPod touch (5.generasjon) og iPod nano (7.generasjon).

AirPlay virker med iPhone, iPod touch, iPad som har iOS versjon 4.3.3 eller senere, MAC OS X Mountain Lion, og MAC/PC med iTunes versjon 10.2.2 eller senere.



2. Hvordan koble til Z2

Du kan koble til din Z2:

- Via AirPlay og streaming fra iTunes
- Via AirPlay og streaming fra iPod touch, iPhone og iPad
- Via Lightning-kontakten
- Via AUX-inngangen på baksiden

Diagram 1 viser de forskjellige tilkoblingene på baksiden av Z2.

AirPlay tilkobling

Z2 bruker AirPlay streaming-teknologi til å spille av musikk fra iTunes. Når den er koblet til samme nettverk som en datamaskin med iTunes – enten trådløst eller ved hjelp av en nettverkskabel – vil den komme frem som et høyttaleralternativ i pop-up vinduet som åpner seg når man trykker på AirPlay-ikonet. Se kapittel 5 i denne manualen for nærmere beskrivelse på hvordan du kobler Z2 til ditt nettverk og hvordan iTunes skal konfigureres for AirPlay.

Merk: Sørg for at du har nyeste versjon av iTunes installert.

Merk: Skal Z2 kobles til nettverket via kabel behøver du en standard nettverkskabel.

I tillegg til å streame lyd fra iTunes kan du med AirPlay også streame lyd til Z2 fra iPod touch, iPad og iPhone modeller. Alle iPod touch, iPad og iPhone applikasjoner som har volumkontroll vil også ha et AirPlay ikon som gjør det mulig å streame lyden til eksterne kompatible høyttalere. Alle AirPlay enheter tilkoblet det lokale nettverket vil komme frem som avspillingsalternativ.

Lightning-kontakt

Lightning-kontakten på Z2 er kompatibel med iPhone 5, iPod touch 5. generasjon og iPod nano 7. generasjon. Eldre iPod eller iPhone modeller – eller andre avspillere – kan brukes med Z2 ved å koble en lyd kabel fra avspillerens hodetelefonutgang til AUX-inngangen bak på Z2. iPhone og iPod modeller med Lightning-kontakt vil lades når de settes i Lightning-kontakten på Z2. Dette gjelder også når Z2 er i Standby og Dvale (Sleep) modus.

AUX inngang

Hvis du ønsker å lytte til en ekstern analog lyd kilde kan denne kobles til AUX-inngangen på baksiden av Z2. Inngangen krever en analogkabel med mini-jack plugg.

Strøminngang

Koble Z2 til strømnettet med den medfølgende strømkabelen. Ved førstegangs tilkobling vil Z2 automatisk starte opp og lysdioden (LED) på fronten vil pulsere rødt.

Merk: I tabellen i kapittel 4 finner du oversikt over de forskjellige farger på lysdioden og hva de indikerer.

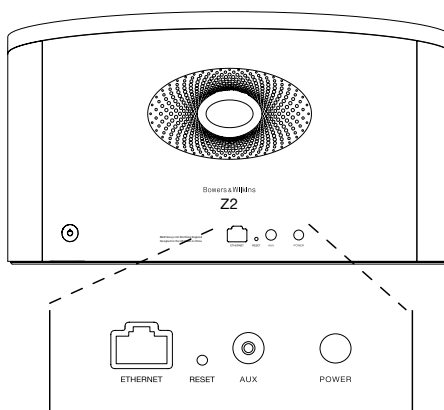


Diagram 1
Z2 bakside


3. Hvordan betjene Z2

Z2 kan betjenes ved å bruke knappene på produktet (se Diagram 2) eller fra den medfølgende fjernkontrollen. For at fjernkontrollen skal virke må den lille plastlappen under batteridekselet fjernes (se Diagram 3). I Diagram 4 finner du oversikten over knappene på fjernkontrollen.

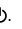

3.1 Slå av og på

I tillegg til På har Z2 også Standby- og Dvale-modus. I Standby-modus vil all funksjonalitet være slått av slik at strømforbruket minimeres. I Dvale-modus vil Z2 derimot forbli tilkoblet det trådløse nettverket. Lysdioden på fronten av Z2 vil lyse rødt i Dvale-modus og være helt avslått i Standby-modus

Z2 kan slås på fra Standby på følgende måter:

- Ved å trykke på AV/PÅ-knapp  på produktet.
- Ved å sette en iPod eller iPhone i docking-armen.

Z2 kan vekkes fra Dvale på følgende måter:

- Ved å trykke på produktets AV/PÅ-knapp .
- Ved å trykke på fjernkontrollens AV/PÅ-knapp .
- Ved å sette en iPod eller iPhone i docking-kontakten.
- Ved å streame musikk til Z2 via AirPlay.
- Ved å spille lyd via AUX-inngang.

Når Z2 vekkes fra Standby eller Dvale vil den automatisk velge den inngang som sist ble brukt. Hvis denne inngangen ikke lenger har en lydkilde tilkoblet vil Z2 automatisk søke gjennom alle innganger (Docking-kontakt, AirPlay og AUX) og velge den første med lydkilde tilkoblet. Lysdiodens farge vil da skifte slik at den korresponderer med den inngangen som velges. Hvis AirPlay er konfigurert, og det ikke er noen lydkilder tilkoblet de andre inngangene når Z2 vekkes fra Standby eller Dvale, vil den automatisk aktivere AirPlay-inngangen.

Merk: Hvis AirPlay ikke er aktivert vil lysdioden blinke gult.

Merk: I tabellen i kapittel 4 finner du oversikt over de forskjellige farger på lysdioden og hva de indikerer.

Z2 settes i Dvale-tilstand ved å trykke på AV/PÅ-knappen, eller tilsvarende knapp på fjernkontrollen, i 2 sekunder. Lysdioden vil da lyse svakt rødt.

Z2 settes i Standby-tilstand ved å trykke på AV/PÅ-knappen på produktet i 4 sekunder. Lysdioden vil da bli slått av.

Merk: Det er ikke mulig å sette Z2 i Standby fra fjernkontrollen.

Merk: Hvis Z2 ikke har vært i bruk siste 30 minutter vil den automatisk gå i Dvale-tilstand.

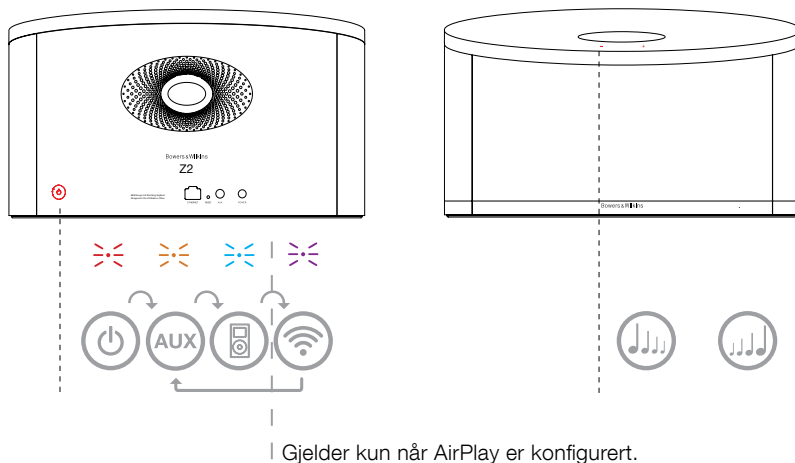


Diagram 2
Oversikt over knapper på Z2.

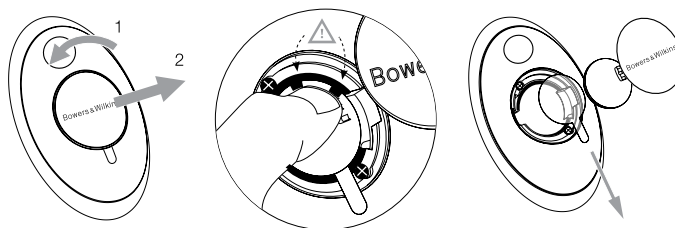


Diagram 3
Fjerning av plastlapp under batterideksel.

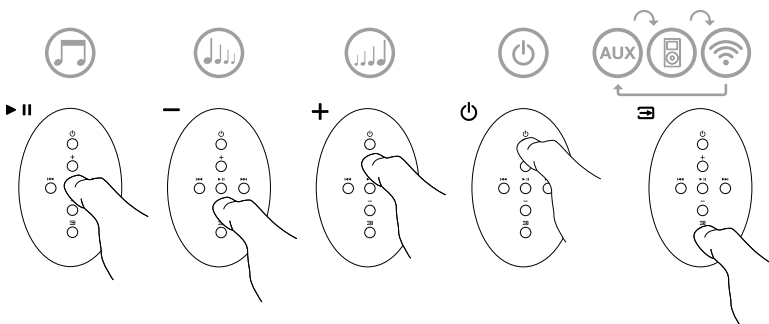


Diagram 4
Oversikt over knapper på Z2 fjernkontroll.

3.2 Z2 funksjoner

Diagram 5 viser Z2 og dens tilkoblingsmuligheter.

Med Z2 påslått kan du:

- Høre på musikk fra docket iPod eller iPhone.
- Koble til et kablet eller trådløst nettverk og høre musikk via AirPlay.
- Lytte til andre analoge lydkilder via AUX-inngangen.
- Bruke volumknapper på Z2 eller tilsvarende knapper på fjernkontrollen til å justere volum.
- Hvis en iPod eller iPhone står i docking-armen, eller Z2 er tilkoblet iTunes via AirPlay, kan fjernkontrollens Play/Pause-knapper brukes til å starte og stoppe musikken, og Neste/Forrige-knappene brukes til å bytte til neste eller forrige sang.
- Bruke fjernkontrollens inngangsvelger eller AV/PÅ-knapp på Z2 til å velge ønsket inngang.

3.3 Z2 automatisk valg av inngang

Ved følgende tilfeller vil Z2 automatisk slå seg på eller automatisk velge AirPlay-inngangen:

- Når det sendes AirPlay signal til Z2, docking-inngang er aktivert og docket enhet slutter å spille, vil AirPlay-inngangen automatisk bli valgt.
- Når det sendes AirPlay signal til Z2, og AUX-inngang er aktivert, vil AirPlay-inngangen automatisk bli valgt hvis ikke det mottas et signal på AUX-inngang.
- Når Z2 er i Dvale og den mottar et signal via AirPlay vil den automatisk slå seg på og velge AirPlay-inngang.
- Når Z2 har vært i Dvale lengre enn ett minutt, og enheten mottar et signal via AUX-inngangen, vil den automatisk slå seg på og aktivere denne.

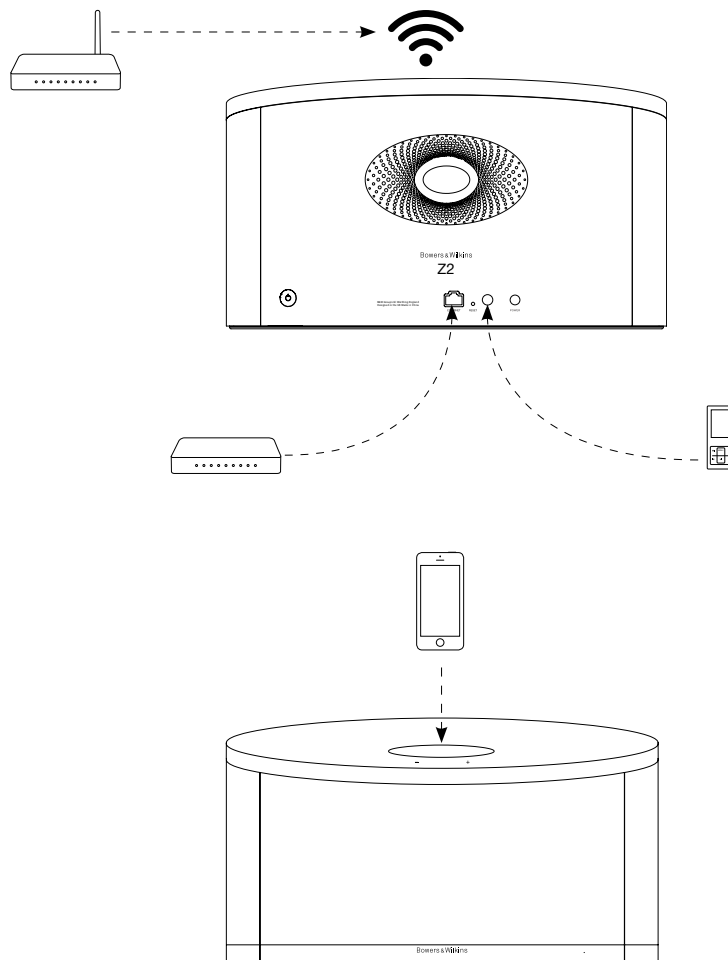


Diagram 5
Z2 tilkoblingsmuligheter

4. Z2 lysdiode (LED)

Lysdioden på Z2 vil lyse i forskjellige farger for å indikere forskjellige innstillinger og tilstander. Tabell 1 på denne siden gir en oversikt over de forskjellige fargene og deres betydninger.

5. Koble Z2 til nettverk og konfigurering av iTunes

For at du trådløst skal kunne spille musikk via AirPlay må Z2 kobles til det samme trådløse nettverket som enheten det spilles fra (PC/Mac med iTunes, iPod touch, iPhone, iPad etc). Nettverksadressering i Z2 er satt til DHCP. I praksis betyr det at når man først har koblet den til et trådløst nettverk vil det ikke senere være nødvendig med flere konfigureringer (unntak gjelder kun hvis man ønsker å koble Z2 til et annet nettverk). Du må vite navnet på ditt trådløse nettverk og eventuelt nettverkspassord før du starter.

5.1 Trådløs konfigurering av Z2 fra iOS enhet (iPod touch, iPhone, iPad)

- Last ned vår "Bowers & Wilkins Control App" fra Apple App Store eller ved å besøke www.bowers-wilkins.com/control.
- Følg instruksjonene i app'en (programmet)

5.2 Trådløs konfigurering av Z2 fra Mac eller PC

- Last ned vår "Bowers & Wilkins Control App" fra Apple App Store eller ved å besøke www.bowers-wilkins.com/control.
- Følg instruksjonene i app'en (programmet)

5.3 Konfigurering av Z2 fra Mac/PC via nettverkskabel

Z2 kan kobles direkte til en PC/Mac ved hjelp av en nettverkskabel, og du vil da kunne få tilgang til Z2s konfigureringsside. For at denne tilkoblingsmetoden skal fungere må du sørge for at eventuelle trådløse tilkoblingsmuligheter er deaktivert i PC/Mac. Følg deretter fremgangsmåten beskrevet nedenunder.

- Trekk ut alle kabler fra Z2 og ta bort iPod eller iPhone fra docking-kontakt.
- Bruk en nettverkskabel til å koble sammen Z2 og datamaskin.
- Plugg i strømkabelen. Z2 vil starte opp og lysdioden vil pulsere rødt.
- Lysdioden vil etter en kort stund skifte til blinkende gult. Trykk og hold inn + volumknappen på Z2 (ikke fjernkontroll) i 4 sekunder. Lysdioden vil da skifte til fast lilla farge så snart Z2 har opprettet kontakt med tilkoblet PC/Mac.
- Åpne nettleseren på datamaskinen som er koblet til Z2 og skriv inn følgende nettverksadresse i adressefeltet: <http://169.254.1.1>. Z2 konfigureringsside vil da åpnes.
- Før du kobler Z2 til nettverket har du anledning til å gi produktet et nytt navn (som f.eks "Z2 Soverom"). Dette kan være nyttig for å skille mellom flere AirPlay-enheter som er koblet til samme nettverk. Skriv inn ønsket navn i navnefeltet.

- Velg ditt nettverk fra rullelisten på konfigureringsiden og skriv inn riktig passord for nettverket. Pass på at passord skrives inn korrekt.
- Når dette er gjort trykker du på Apply knappen. Lukk deretter nettleservinduet på datamaskinen og koble fra nettverkskabelen til Z2.
- Lysdioden på Z2 vil skifte til kontinuerlig lilla når trådløs nettverksforbindelse er opprettet. Dette kan ta opp til 3 minutter.

Merk: Hvis Z2 ikke kobler seg til det trådløse nettverket skyldes dette mest sannsynlig at det er skrevet inn feil nettverkspassord under konfigurering. Følg resettingsprosedyrene i kapittel 7 og start nettverkskonfigureringen på nytt. Pass på at riktig passord skrives inn.

Merk: Som alternativ til trådløs tilkobling kan Z2 også kobles til et nettverk via standard nettverkskabel. Videre konfigurering av Z2 vil da ikke være nødvendig, og alle AirPlay-funksjoner vil være tilgjengelige.

5.4 Hvordan velge Z2 som høyttaler i iTunes

Når Z2 er konfigurert og tilkoblet ditt nettverk (trådløst eller via nettverkskabel) kan du bruke AirPlay funksjonen i iTunes på din PC eller Mac til å spille av musikk på Z2. Dette gjør du enkelt ved å klikke på det firkantede AirPlay-ikonet og velge Z2 som høyttaler i pop-up vinduet som dukker opp. Flere AirPlay-enheter kan kobles til det samme nettverket og gi lyd i forskjellige rom. Hver av disse vil være tilgjengelig som ekstern høyttaler i iTunes, og identifiseres enten av navnet man har gitt den enkelte enhet eller eventuelt de tre siste sifrene i serienummeret på enheten.

Indikator farge	Betydning	Valgt inngang
Av	Standby	Ingen
Svak rød	Dvale	Ingen
Pulserende rød	Oppstart	Ingen
To røde blink	Resetting	Ingen
Blå	På	Docking-kontakt
Hurtig blinkende blå	Volum justeres	Docking-kontakt
Oransje	På	AUX
Hurtig blinkende oransje	Volum justeres	AUX
Lilla	På	AirPlay
Hurtig blinkende lilla	Volum justeres	AirPlay
Sakte blinkende lilla	Ikke tilkoblet nettverk	AirPlay
Hurtig blinkende rød	Ugyldig kommando	Alle
Sakte blinkende gul	Nettverkskonfigurasjon	Ingen
Hvit	Oppdatering av software	Ingen
Blinkende hvit	Feil ved oppdatering av software	Ingen

Tabell 1
Lysdiodens farger og betydning

6. Z2 software-oppdatering

Oppdatert styrings-software til Z2 vil bli tilgjengelig fra tid til annen, og vil da kunne lastes ned fra Z2 support-siden på vår hjemmeside (www.bowers-wilkins.com).

7. Z2 resetting

Z2 har en resettingsknapp på baksiden som kan trykkes inn ved hjelp av en binders eller lignende. Plasseringen av resettingsknappen vises i Diagram 6. For å nullstille Z2s nettverksinnstillinger (AirPlay-inngangen) skal resettingsknappen holdes inne i 2 sekunder. Lysdioden vil blinke rødt 2 ganger for å indikere at resetting er gjort.

8. Rengjøring av Z2

Z2 bør rengjøres med en klut som ikke loer. Ved bruk av rengjøringsmiddel skal dette påføres klut og ikke direkte på Z2. Noen rengjøringsprodukter kan skade overflaten på Z2, og det anbefales at man forsøker på et skjult område først. Unngå vaskemidler som er slipende eller etsende, eller inneholder alkaliske og/eller anti-bakterielle midler.

9. Feilsøking

Hvis du trenger hjelp til å feilsøke et spesifikt problem eller har et spørsmål anbefaler vi at du besøker Troubleshooting-guiden og leser FAQ-listen som er tilgjengelig på våre Z2 support nettsider (www.bowers-wilkins.com).

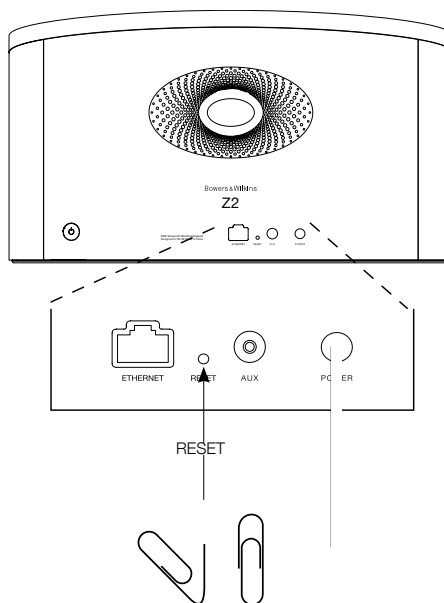


Diagram 6
Z2 resetting

Tekniske spesifikasjoner

Modell	Z2
Beskrivelse	Høyttalersystem for iPod® / iPhone®
Tekniske egenskaper	Apple® AirPlay® teknologi Lightning™-kontakt Digital Signalprosessering (DSP) Høykvalitets klasse D forsterkere Switch-mode strømforsyning Flowport™ Fjernkontroll
Høyttalerenheter	2x 87,5mm (3.5") fulltone elementer
Frekvensrespons	50Hz – 20kHz ±3dB (målt direkte forfra)
Frekvensområde	-6dB ved 42Hz og 22kHz
Forsterkereffekt	2x 20W
Inngangsspenning	100V-240V ~ 50/60Hz
Strømforbruk	36W
Strømforbruk Standby	<0.5W
Brukstemperatur	Dette produktet er designet for bruk i omgivelser med lufttemperatur på maks 45 grader celsius
Innganger	Lightning™-kontakt Nettverk (RJ45 Ethernet eller trådløst) AUX – analog (3.5mm mini-jack)
Høyde	180 mm (7.1")
Bredde	320 mm (12.6")
Dybde	100mm (3.9")
Nettvekt	2.6 kg (5.7 lb)
Kabinett	ABS plast
Grill	Metall
Apple kompatibilitet	Lightning-kontakten virker med iPhone 5, iPod touch (5.generasjon) og iPod nano (7.generasjon). AirPlay virker med iPhone, iPod touch, iPad som har iOS versjon 4.3.3 eller senere, MAC OS X Mountain Lion, og MAC/PC med iTunes versjon 10.2.2 eller senere.

欢迎使用 Bowers & Wilkins 和 Z2

感谢你选择 Bowers & Wilkins。当我们公司的创办人 John Bowers 先生成立本公司时，就秉持着一种信念：富有想象力的设计、创新的工程和先进的技术是开启家庭音响娱乐大门的重要元素。我们依然坚持着他的信念，并赋予我们所有产品设计灵感。

Z2 不仅是一款 iPod® 底座。在聆听你的 iPod 或 iPhone® 上存储的音频的同时，你还可以用它来：

- 通过接线或无线网络连接，直接从 iTunes® 播放音频。
- 连接并聆听外部音频源，如电视或非以 USB 连接的移动音乐播放器。

本手册将为你介绍 Z2 的所有信息，让你发挥它所有的潜能。首先介绍 Z2 包装盒内的物品。



1. Z2盒内物品

1. Z2
2. 电源器
3. 遥控器
4. 文档包

环境信息

本产品符合国际指令，包括但不限于电子和电气设备的有害物质限制指令(RoHS)、化学品注册、评估、许可和限制指令(REACH)以及废弃电子电气设备的处置规定指令(WEEE)。请与当地废物处置机构联系以获取有关如何正确回收或处置本产品的指导信息。



此标志含义为产品适用于海拔2000m以下地区安全使用



此标志含义为产品仅适用于非热带气候条件下安全使用

Lightning连接器支援iPhone 5、iPod touch (第五代) 及iPod nano (第七代)。

AirPlay支援配有iOS 4.3.3或以上的iPhone、iPod touch及iPad，或配有OS X Mountain Lion的Mac，或iTunes 10.2.2或以上的Mac及PC。



2. 连接至Z2

你可以通过以下三种不同的方式连接到 Z2:

- 使用AirPlay®。
- 使用Lightning™连接器。
- 使用AUX输入。

图1显示了Z2后面板连接插孔。

AirPlay连接

Z2使用AirPlay串流技术，能以无线方式或通过有线（以太网）连接来播放iTunes中的音频。连接到运行iTunes的电脑所在的网络后，Z2会在弹出的Airplay菜单上以输出选项的形式显示。有关配置Z2以接入本地网络以及配置iTunes以通过Z2进行播放的信息，请参见第5节。

注意： 请确保你已安装了最新的iTunes版本。

注意： 若要将Z2连接到以太网，必须使用标准的以太网接线。

与从iTunes串流音频一样，AirPlay也能够从iPod Touch、iPhone或iPad®将音频直接传入Z2。任何带有音量控制的iPod Touch、iPhone或iPad应用程序都具有一个附加图标，可用于选择播放可用的遥控扬声器。在无线覆盖范围内的任何设备都将包含在选择列表中。

Lightning 连接器

Z2的Lightning连接器支援iPhone 5、iPod touch (第五代)及iPod nano (第七代)。较早期的iPod及iPhone型号，或其他音乐播放器都可通过将其耳机插孔连接到Z2后面板上的AUX输入来使用。当Z2处于开启、睡眠或待机模式时，可为插上底座的iPhone和iPod型号进行充电。

辅助输入 (AUX)

如果你希望聆听外部模拟音频源，请使用带迷你插头的模拟接线将其连接到Z2 AUX输入插孔。

电源输入 (POWER)

使用电源器将Z2连接到电源插座。初次连接到电源时，Z2将自动启动，并且其指示器会呈现跳跃红色。

注意： 第4节中的列表介绍了所有Z2指示器颜色及其含义。

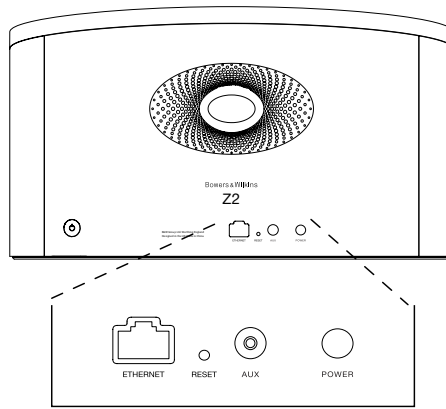


图1
Z2后面板

3. 使用Z2

通过Z2身上的控件或通过其遥控器都可对Z2进行控制操作。若要使用遥控器，则必须首先拆除其电池绝缘膜。这在图3中进行了展示。图4显示了遥控器键的主功能。

3.1 开启和关闭

除常规操作模式外，Z2还具有待机和睡眠两种模式。在待机模式下，Z2的所有功能都将关闭，其功耗也是最低。在睡眠模式下，Z2无线功能仍保持与网络的连接。Z2指示器在睡眠模式下呈深红色，并在待机模式下关闭。

通过以下操作，可将Z2从待机模式下开启：

- 按Z2待机按钮。
- 将iPod或iPhone插入底座。

通过以下操作，可将Z2从睡眠模式下开启：

- 按Z2待机按钮。
- 按遥控器待机键。
- 将iPod或iPhone插入底座。
- 透过Airplay串流音乐至Z2。
- 透过AUX输入播放音乐。

当Z2从待机或睡眠模式下开启后，如果其仍处于连接状态，将会选择上次使用的输入。如果上次使用的输入已不再连接着，Z2将自动扫描其输入（AUX、底座、AirPlay），并选择其找到的第一个连接的输入。Z2指示器将改变其颜色以指示选定的输入。如果找不到任何连接的输入，Z2在预设情况下将选择AirPlay输入。

注意： 如果尚未设置AirPlay输入，则指示器将闪烁黄色。

注意： 第4节中的列表介绍了所有Z2指示器颜色及其含义。

要将Z2切换到睡眠模式，请按遥控器的待机键或按住Z2待机按钮2秒。Z2指示器将呈现深红色。

要将Z2切换到待机模式，请按住Z2待机按钮4秒。Z2指示器将关闭。

注意： 无法通过遥控器将Z2切换到待机模式。

注意： 若Z2静止30分钟或以上，则自动进入睡眠模式。

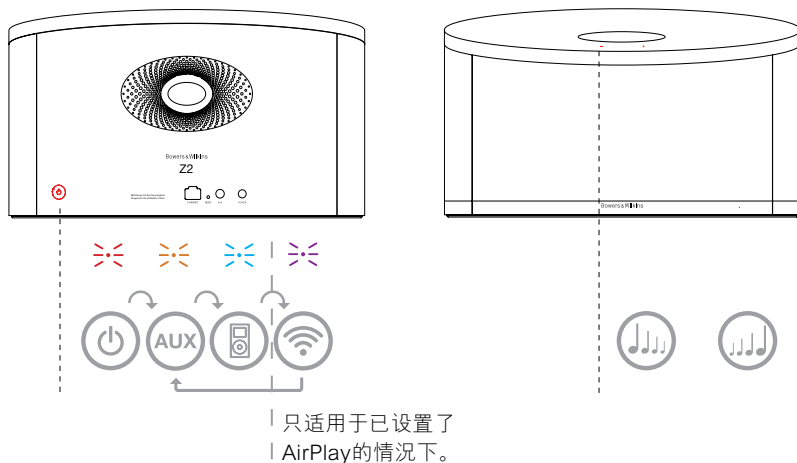


图 2
Z2控件详解

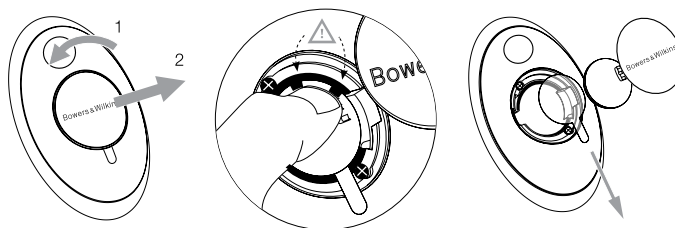


图 3
拆除Z2绝缘膜

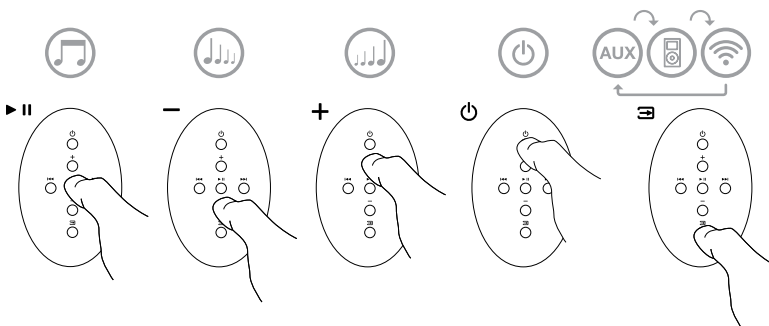


图 4
Z2遥控器详解

3.2 Z2功能

图5显示了Z2的连接。

将Z2从待机或睡眠模式下开启后：

- 可以聆听iPod或iPhone上的音频。
- 可以通过连接到有线或无线网络，透过AirPlay聆听iTunes音频。
- 可以通过Z2 AUX辅助输入聆听其他模拟音频源。
- 你可以使用遥控器音量键或Z2音量按钮来控制音量。
- 如果已将iPod或iPhone插入底座，或通过AirPlay将Z2连接到iTunes，则可以使用遥控器播放/暂停键来播放或暂停音频，或使用下一首和上一首键来选择上一首或下一首曲目。
- 你可以使用遥控器输入键或Z2的待机按钮顺次选择已连接的输入。

3.3 Z2自动输入切换

在某些情况下，Z2会自动切换到其AirPlay输入，或从睡眠模式下开启：

- 选择了底座输入及插入底座的iPod或iPhone已停止播放时，如果iTunes串流的音频出现在AirPlay输入，系统将自动选择AirPlay输入。
- 选择了AUX辅助输入但未播放任何音频时，如果iTunes串流的音频出现在AirPlay输入，系统将自动选择AirPlay输入。
- Z2处于睡眠模式下时，如果iTunes串流的音频出现在AirPlay输入，则会自动开启并播放串流的音频。
- Z2处于睡眠模式下多于1分钟时，如果AUX辅助输入检测到音频出现，则会自动开启并播放AUX辅助输入的音频。

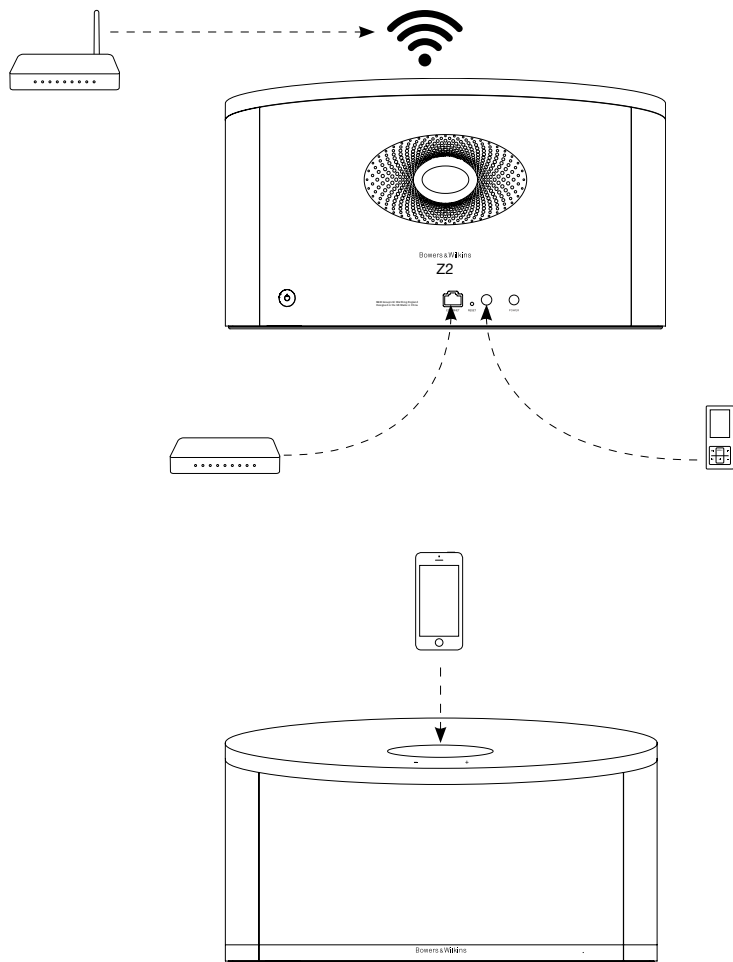


图 5
Z2连接

4. Z2指示器

Z2指示器可呈现一系列颜色，以指示不同的操作状况。表1介绍了这些颜色及其含义。

5. 接入无线网络和配置iTunes

若要使用AirPlay在Z2上播放iTunes音乐，Z2必须接入安装并运行iTunes的电脑所在的网络。Z2网络寻址方法设置为DHCP，这意味着其接入无线网络后将不需任何其他配置。你在开始操作前，需要了解你的本地无线网络名称和密码。

5.1 使用iOS设备(iPod touch, iPad或iPhone)设置Z2

- 从App商店或浏览www.bowers-wilkins.com/control 下载 ‘Bowers & Wilkins Control’ 设置程式。
- 按照屏幕上的指示。

5.2 使用Mac或PC电脑设置

- 从App商店或浏览www.bowers-wilkins.com/control 下载 ‘Bowers & Wilkins Control’ 设置程式。
- 按照屏幕上的指示。

5.3 使用有线连接设置Z2

要设置Z2来接入无线网络，你应首先使用以太网接线，将其连接到Mac/PC电脑。请确保Mac或PC电脑上的无线功能已停用。连接后，你可以浏览到Z2设置页面。遵循以下所述步骤：

注意：Z2还可使用有线网络进行AirPlay串流。

- 拔下Z2上的所有接线，以及拔出插入底座的所有iPod或iPhone。
- 使用以太网接线将Z2后面板以太网插孔与电脑上的以太网插孔连接起来。
- 连接电源接线。Z2将启动，且指示器会呈现跳跃红色。
- 当Z2指示器将闪烁黄色。此时请按下Z2上的 ‘+’ 音量按钮4秒。完全建立有线网络连接后，Z2指示器将持续呈现紫色。
- 使用连接到Z2的电脑上运行的互联网浏览器应用程序，在浏览器地址字段中键入Z2预设网络地址 (<http://169.254.1.1>)，然后按 “返回”。将打开Z2的设置页面。
- 该设置页面将提供选项来更改Z2名称。当多个Z2连接到网络时，更改该名称则非常有用。在名称框中输入新名称(例如Z2 Kitchen)。

- 从下拉列表中选择本地网络名称，然后在相应的框中输入密码。请小心键入正确的密码。
- 完成操作后，单击应用按钮，然后关闭Z2设置页面。断开以太网接线连接。
- 建立了无线网络连接后，Z2指示器将变为稳定的紫色。约需3分钟的时间。

注意：如果Z2无法连接到本地网络，则最可能的原因是未正确输入网络密码。请遵循第7节中的重置说明重新开始网络设置过程。

5.4 配置iTunes

将Z2连接到本地网络(有线或无线)后，你可以配置iTunes以将其用作输出设备。选择位于Airplay菜单上的Z2作输出选项。iTunes此时将通过Z2进行播放。

多个Z2可同时连接到无线网络，并用于在各个房间内提供音频。iTunes设备菜单中的每个可用设备都通过设置页面中指定的名称标识，或预设使用其序列号的最后三位数字标识。

指示器颜色	含义	已选择的输入
关闭	待机	不适用
深红色	睡眠	不适用
跳跃红色	启动中	不适用
闪烁红色两次	开始重置	不适用
蓝色	开启	底座
快速闪烁的蓝色	音量调节	底座
橙色	开启	Aux辅助输入
快速闪烁的橙色	音量调节	Aux辅助输入
紫色	开启	Airplay
快速闪烁的紫色	音量调节	Airplay
缓慢闪烁的紫色	未连接网络	Airplay
快速闪烁的红色	操作无效	任何输入
缓慢闪烁的黄色	无线设置模式	不适用
白色	固件更新	不适用
闪烁白色	固件错误	不适用

表 1
指示器颜色及含义

6. Z2固件更新

更新的Z2固件可随时于Bowers & Wilkins网站的Z2支援部分进行下载。

7. Z2出厂设置重置

Z2具有一个针孔重置按钮，位于其背面连接面板上。图6中显示了该重置按钮。要将Z2网络设置(AirPlay输入)恢复为出厂预设设置，请确保已接上电源线，以及已启动Z2。按下该重置按钮2秒。指示器将闪烁红光两次。

8. 清洁Z2

可使用不起毛的布来清洁Z2。如果使用清洁剂的话，要将清洁剂用在清洁布上，不可直接使用在Z2上。先在小的范围内进行试验，因为某些清洁剂会对产品的表面造成损坏。避免使用磨蚀、或带有酸性、碱和抗菌剂的产品。

9. 疑难排解

如果需要帮助对特定问题进行疑难排解，或要取得某些问题的解答，请查阅我们的疑难排解指南，或我们网站上Z2产品支援页面的常见问题部分。

www.bowers-wilkins.com

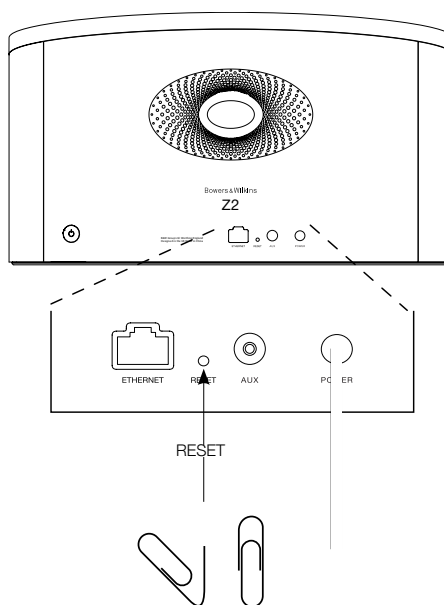


图 6
Z2出厂设置重置

技术规格

型号	Z2
说明	无线音乐系统
技术特色	Apple® AirPlay® 技术 Lightning™连接器 数字信号处理(DSP) 高质量D类放大器 切换式电源 Flowport™气流导孔 遥控器
驱动单元	2x 87.5mm (3.5 in) 全频
频率响应	50Hz - 20kHz, 参考轴上±3分贝
频率范围	42Hz和22kHz, -6分贝
功放输出率	2x 20W
输入电压	100V - 240V ~ 50/60Hz
额定电量消耗	36W
待机电量消耗	<0.5W
操作温度	本产品仅设计于45° C或以下的环境温度下操作
输入	Lightning™连接器 网络 (RJ45以太网或Wi-Fi) 辅助 - 模拟 (3.5mm微型插孔)
高	180mm
阔	320mm
深	100mm
净重	2.6kg
箱体	硅化ABS
面网	金属
Apple 兼容性	Lightning连接器支援iPhone 5、iPod touch (第五代)及iPod nano (第七代)。 AirPlay支援配有iOS 4.3.3或以上的iPhone、iPod touch及iPad, 或配有OS X Mountain Lion的Mac, 或iTunes 10.2.2或以上的Mac及PC。

歡迎使用 Bowers & Wilkins 和 Z2

感謝你選擇Bowers & Wilkins。當我們公司的創辦人John Bowers先生成立本公司時，就秉持著一種信念：富有想像力的設計、創新的工程和先進的技術是開啟家庭音響娛樂大門的重要元素。我們依然堅持著他的信念，並賦予我們所有產品設計靈感。

Z2不僅是一款iPod®底座。在聆聽你的iPod或iPhone®上存儲的音頻的同時，你還可以用它來：

- 通過接線或無線網路連接，直接從iTunes®播放音頻。
- 連接並聆聽外部音頻源，如電視或非以USB連接的移動音樂播放機。

本手冊將為你介紹Z2的所有資訊，讓你發揮它所有的潛能。首先介紹Z2包裝盒內的物品。



1. Z2盒內物品

1. Z2
2. 電源器
3. 遙控器
4. 文件包

環境資訊

本產品符合國際指令，包括但不限於電子和電氣設備的有害物質限制指令(RoHS)、化學品註冊、評估、許可和限制指令(REACH)以及廢棄電子電氣設備的處置規定指令(WEEE)。請與當地廢物處置機構聯繫以獲取有關如何正確回收或處置本產品的指導資訊。

Lightning連接器支援iPhone 5、iPod touch (第五代) 及iPod nano (第七代)。

AirPlay支援配有iOS 4.3.3或以上的iPhone、iPod touch及iPad，或配有OS X Mountain Lion的Mac，或iTunes 10.2.2或以上的Mac及PC。



2. 連接至 Z2

你可以通過以下三種不同的方式連接到 Z2：

- 使用AirPlay®。
- 使用Lightning™連接器。
- 使用AUX輸入。

圖1顯示了Z2後面板連接插孔。

AirPlay連接

Z2使用AirPlay串流技術，能以無線方式或通過有線（乙太網）連接來播放iTunes中的音頻。連接到運行iTunes的電腦所在的網路後，Z2會在彈出的Airplay功能表上以輸出選項的形式顯示。有關配置Z2以接入本地網路以及配置iTunes以通過Z2進行播放的資訊，請參見第5節。

注意：請確保你已安裝了最新的iTunes版本。

注意：若要將Z2連接到乙太網，必須使用標準的乙太網接線。

與從iTunes串流音頻一樣，AirPlay也能夠從iPod Touch、iPhone或iPad®將音頻直接傳入Z2。任何帶有音量控制的iPod Touch、iPhone或iPad應用程式都具有一個附加圖示，可用來選擇播放可用的遙控揚聲器。在無線覆蓋範圍內的任何設備都將包含在選擇列表中。

Lightning 連接器

Z2的Lightning連接器支援iPhone 5、iPod touch（第五代）及iPod nano（第七代）。較早期的iPod及iPhone型號，或其他音樂播放機都可通過將其耳機插孔連接到Z2後面板上的AUX輸入來使用。當Z2處於開啟、睡眠或待機模式時，可為插上底座的iPhone和iPod型號進行充電。

輔助輸入 (AUX)

如果你希望聆聽外部類比音頻源，請使用帶迷你插頭的類比接線將其連接到Z2 AUX輸入插孔。

電源輸入 (POWER)

使用電源器將Z2連接到電源插座。初次連接到電源時，Z2將自動啟動，並且其指示器會呈現跳躍紅色。

注意：第4節中的列表介紹了所有Z2指示器顏色及其含義。

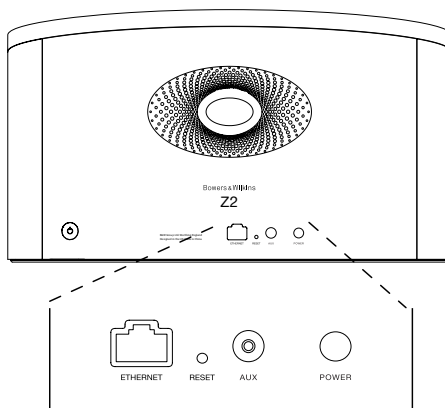


圖1
Z2後面板

3. 使用Z2

通過Z2機身上的控制項或通過其遙控器都可對Z2進行控制操作。若要使用遙控器，則必須首先拆除其電池絕緣膜。這在圖3中進行了展示。圖4顯示了遙控器鍵的主功能。

3.1 開啟和關閉

除常規操作模式外，Z2還具有待機和睡眠兩種模式。在待機模式下，Z2的所有功能都將關閉，其功耗也是最低。在睡眠模式下，Z2無線功能仍保持與網路的連接。Z2指示器在睡眠模式下呈深紅色，並在待機模式下關閉。

通過以下操作，可將Z2從待機模式下開啟：

- 按Z2待機按鈕。
- 將iPod或iPhone插入底座。

通過以下操作，可將Z2從睡眠模式下開啟：

- 按Z2待機按鈕。
- 按遙控器待機鍵。
- 將iPod或iPhone插入底座。
- 透過AirPlay串流音樂至Z2。
- 透過AUX輸入播放音樂。

當Z2從待機或睡眠模式下開啟後，如果其仍處於連接狀態，將會選擇上次使用的輸入。如果上次使用的輸入已不再連接著，Z2將自動掃描其輸入（AUX、底座、AirPlay），並選擇其找到的第一個連接的輸入。Z2指示器將改變其顏色以指示選定的輸入。如果找不到任何連接的輸入，Z2在預設情況下將選擇AirPlay輸入。

注意： 如果尚未設置AirPlay輸入，則指示器將閃爍黃色。

注意： 第4節中的列表介紹了所有Z2指示器顏色及其含義。

要將Z2切換到睡眠模式，請按遙控器的待機鍵或按住Z2待機按鈕2秒。Z2指示器將呈現深紅色。

要將Z2切換到待機模式，請按住Z2待機按鈕4秒。Z2指示器將關閉。

注意： 無法通過遙控器將Z2切換到待機模式。

注意： 若Z2靜止30分鐘或以上，則自動進入睡眠模式。

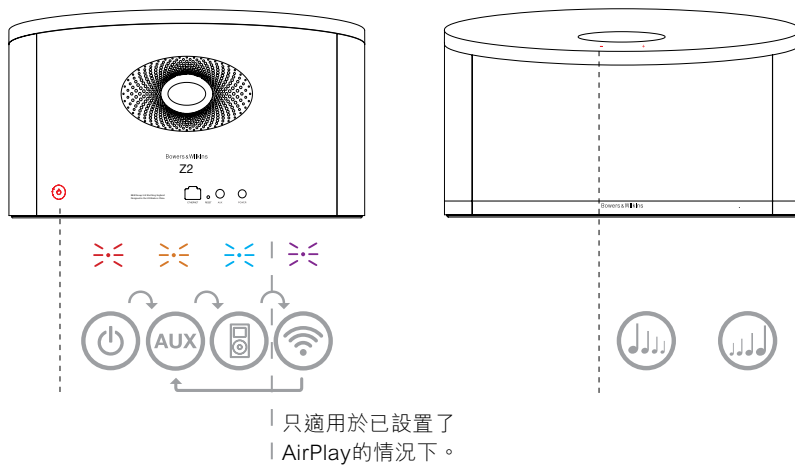


圖 2
Z2控制項詳解

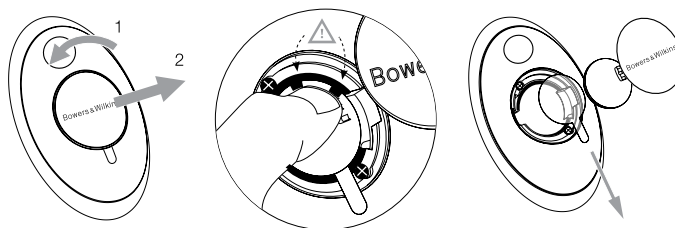


圖 3
拆除Z2絕緣膜

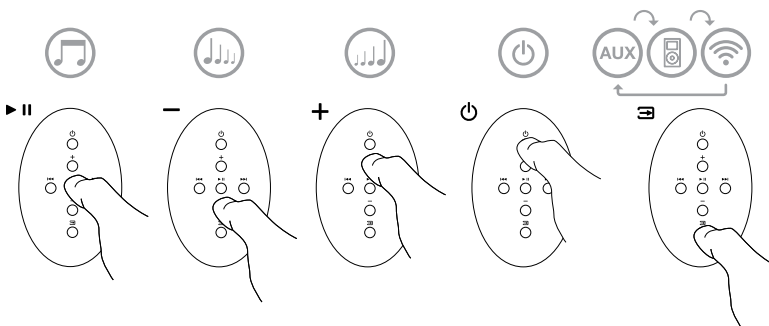


圖 4
Z2遙控器詳解

3.2 Z2功能

圖5顯示了Z2的連接。

將Z2從待機或睡眠模式下開啟後：

- 可以聆聽iPod或iPhone上的音頻。
- 可以通過連接到有線或無線網路，透過AirPlay聆聽iTunes音頻。
- 可以通過Z2 AUX輔助輸入聆聽其他類比音頻源。
- 你可以使用遙控器音量鍵或Z2音量按鈕來控制音量。
- 如果已將iPod或iPhone插入底座，或通過AirPlay將Z2連接到iTunes，則可以使用遙控器播放/暫停鍵來播放或暫停音頻，或使用下一首和上一首鍵來選擇上一首或下一首曲目。
- 你可以使用遙控器輸入鍵或Z2的待機按鈕順次選擇已連接的輸入。

3.3 Z2自動輸入切換

在某些情況下，Z2會自動切換到其AirPlay輸入，或從睡眠模式下開啟：

- 選擇了底座輸入及插入底座的iPod或iPhone已停止播放時，如果iTunes串流的音頻出現在AirPlay輸入，系統將自動選擇AirPlay輸入。
- 選擇了AUX輔助輸入但未播放任何音頻時，如果iTunes串流的音頻出現在AirPlay輸入，系統將自動選擇AirPlay輸入。
- Z2處於睡眠模式下時，如果iTunes串流的音頻出現在AirPlay輸入，則會自動開啟並播放串流的音頻。
- Z2處於睡眠模式下多於1分鐘時，如果AUX輔助輸入檢測到音頻出現，則會自動開啟並播放AUX輔助輸入的音頻。

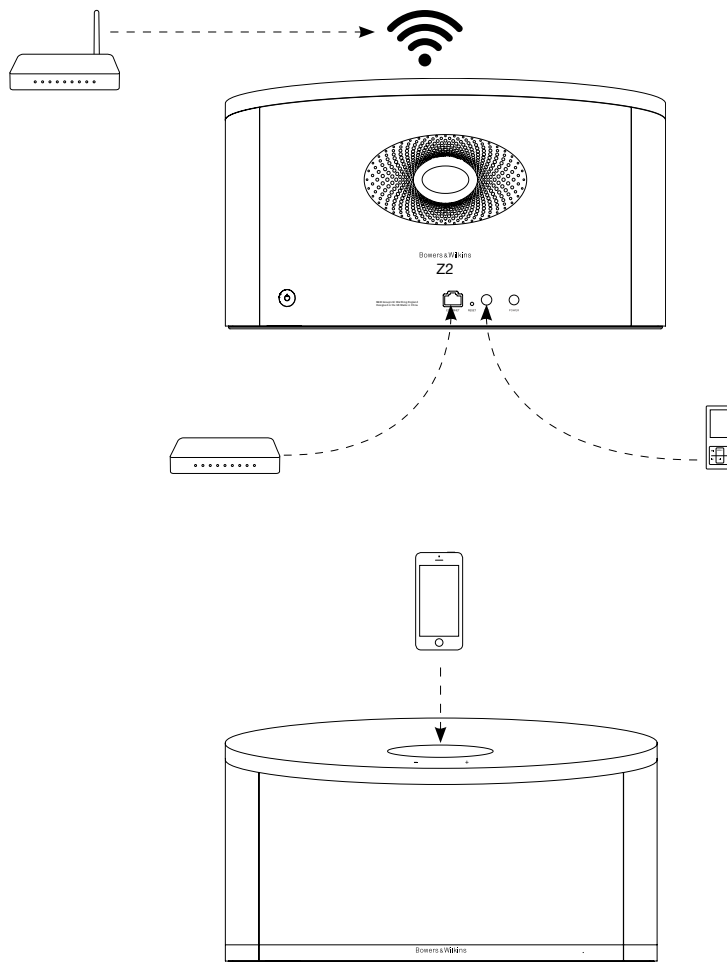


圖 5
Z2連接

4. Z2 指示器

Z2 指示器可呈現一系列顏色，以指示不同的操作狀況。表 1 介紹了這些顏色及其含義。

5. 接入無線網路和配置 iTunes

若要使用 AirPlay 在 Z2 上播放 iTunes 音樂，Z2 必須接入安裝並運行 iTunes 的電腦所在的網路。Z2 網路地址方法設置為 DHCP，這意味著其接入無線網路後將不需任何其他配置。你在開始操作前，需要瞭解你的本地無線網路名稱和密碼。

5.1 使用 iOS 設備 (iPod touch, iPad 或 iPhone) 設置 Z2

- 從 App 商店或瀏覽 www.bowers-wilkins.com/control 下載 'Bowers & Wilkins Control' 設置程式。
- 按照螢幕上的指示。

5.2 使用 Mac 或 PC 電腦設置

- 從 App 商店或瀏覽 www.bowers-wilkins.com/control 下載 'Bowers & Wilkins Control' 設置程式。
- 按照螢幕上的指示。

5.3 使用有線連接設置 Z2

要設置 Z2 來接入無線網路，你應首先使用乙太網接線，將其連接到 Mac/PC 電腦。請確保 Mac 或 PC 電腦上的無線功能已停用。連接後，你可以瀏覽到 Z2 設置頁面。遵循以下所述步驟：

注意： Z2 還可使用有線網路進行 AirPlay 串流。

- 拔下 Z2 上的所有接線，以及拔出插入底座的所有 iPod 或 iPhone。
- 使用乙太網接線將 Z2 後面板乙太網插孔與電腦上的乙太網插孔連接起來。
- 連接電源接線。Z2 將啟動，且指示器會呈現跳躍紅色。
- 當 Z2 指示器將閃爍黃色。此時請按下 Z2 上的 '+' 音量按鈕 4 秒。完全建立有線網路連接後，Z2 指示器將持續呈現紫色。
- 使用連接到 Z2 的電腦上運行的互聯網瀏覽器應用程式，在瀏覽器地址欄位中鍵入 Z2 預設網路位址 (<http://169.254.1.1>)，然後按“返回”。將打開 Z2 的設置頁面。
- 該設置頁面將提供選項來更改 Z2 名稱。當多個 Z2 連接到網路時，更改該名稱則非常有用。在名稱框中輸入新名稱 (例如 Z2 Kitchen)。

- 從下拉清單中選擇本地網路名稱，然後在相應的框中輸入密碼。請小心鍵入正確的密碼。
- 完成操作後，按一下應用按鈕，然後關閉 Z2 設置頁面。斷開乙太網接線連接。
- 建立了無線網路連接後，Z2 指示器將變為穩定的紫色。約需 3 分鐘的時間。

注意： 如果 Z2 無法連接到本地網路，則最可能的原因是未正確輸入網路密碼。請遵循第 7 節中的重置說明重新開始網路設置過程。

5.4 配置 iTunes

將 Z2 連接到本地網路 (有線或無線) 後，你可以配置 iTunes 以將其用作輸出設備。選擇位於 Airplay 功能表上的 Z2 作輸出選項。iTunes 此時將通過 Z2 進行播放。

多個 Z2 可同時連接到無線網路，並用於在各個房間內提供音頻。iTunes 設備功能表中的每個可用設備都通過設置頁面中指定的名稱標識，或預設使用其機身號碼的最後三位數位識別。

指示器顏色	含義	已選擇的輸入
關閉	待機	不適用
深紅色	睡眠	不適用
跳躍紅色	啟動中	不適用
閃爍紅色兩次	開始重置	不適用
藍色	開啟	底座
快速閃爍的藍色	音量調節	底座
橙色	開啟	Aux 輔助輸入
快速閃爍的橙色	音量調節	Aux 輔助輸入
紫色	開啟	Airplay
快速閃爍的紫色	音量調節	Airplay
緩慢閃爍的紫色	未連接網路	Airplay
快速閃爍的紅色	操作無效	任何輸入
緩慢閃爍的黃色	無線設置模式	不適用
白色	固件更新	不適用
閃爍白色	固件錯誤	不適用

表 1
指示器顏色及含義

6. Z2固件更新

更新的Z2固件可隨時於Bowers & Wilkins網站的Z2支援部分進行下載。

7. Z2出廠設置重置

Z2具有一個針孔重置按鈕，位於其背面連接面板上。圖6中顯示了該重置按鈕。要將Z2網路設置(AirPlay輸入)恢復為出廠預設設置，請確保已接上電源線，以及已啟動Z2。按下該重置按鈕2秒。指示器將閃爍紅光兩次。

8. 清潔Z2

可使用不起毛的布來清潔Z2。如果使用清潔劑的話，要將清潔劑用在清潔布上，不可直接使用在Z2上。先在小的範圍內進行試驗，因為某些清潔劑會對產品的表面造成損壞。避免使用磨蝕、或帶有酸性、鹼和抗菌劑的產品。

9. 疑難排解

如果需要幫助對特定問題進行疑難排解，或要取得某些問題的解答，請查閱我們的疑難排解指南，或我們網站上Z2產品支援頁面的常見問題部分。

www.bowers-wilkins.com

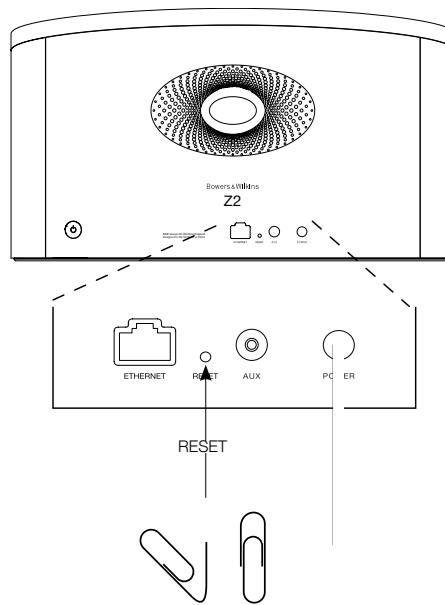


圖 6
Z2出廠設置重置

技術規格

型號	Z2
說明	無線音樂系統
技術特色	Apple® AirPlay® 技術 Lightning™ 連接器 數字信號處理(DSP) 高品質D類放大器 切換式電源 Flowport™ 氣流導孔 遙控器
驅動單元	2x 87.5mm (3.5 in) 全頻
頻率響應	50Hz - 20kHz · 參考軸上±3分貝
頻率範圍	42Hz和22kHz · -6分貝
功放輸出率	2x 20W
輸入電壓	100V - 240V ~ 50/60Hz
額定電量消耗	36W
待機電量消耗	<0.5W
操作溫度	本產品僅設計於45° C或以下的環境溫度下操作
輸入	Lightning™ 連接器 網路 (RJ45乙太網或Wi-Fi) 輔助 - 類比 (3.5mm微型插孔)
高	180mm
闊	320mm
深	100mm
淨重	2.6kg
箱體	矽化ABS
面網	金屬
Apple 相容性	Lightning連接器支援iPhone 5 · iPod touch (第五代)及iPod nano (第七代)。 AirPlay支援配有iOS 4.3.3或以上的iPhone · iPod touch及iPad · 或配有OS X Mountain Lion的Mac · 或iTunes 10.2.2或以上的Mac及PC。

Bowers & Wilkins とZ2へようこそ

Bowers & Wilkins製品をお買い上げいただきありがとうございます。John BowersはB&Wを設立した当初、創意に富んだデザインと革新的な工業技術、そして先進技術が、家庭でオーディオを十分に楽しむ鍵であると信じていました。現在でも彼の信念はB&Wで共有されており、この信念はB&Wが設計するすべての製品に命を吹き込んでいます。

Z2は単なるiPod用ドックとスピーカー・システムではなく、以下のようにiPodやiPhoneに保存されたオーディオを聴くことができます：

- ・ ケーブルまたはワイヤレスネットワーク接続のいずれかを介して直接iTunesからオーディオを再生。
- ・ TVや非USBタイプのポータブル・ミュージック・プレーヤーなどの外部オーディオ・ソースに接続してお聞きいただけます。

このマニュアルは、Z2を最大限に活用するために知っておく必要のある全てを示しています。まず、Z2の Karton の内容を説明します。



1. Z2の Karton の内容

1. Z2
2. 電源ユニット
3. リモコン
4. ドキュメント

環境関連情報

本製品は、国際指令に準拠しています。準拠している指令には、電子・電気機器に含まれる特定有害物質の使用制限に関する欧州議会および理事会指令 (RoHS)、化学物質の登録・評価・認可及び制限に関する規則 (REACH)、電気・電子機器廃棄物 (WEEE) の処分に関する指令が含まれますが、これらに限定されるものではありません。本製品の適切なリサイクルまたは処分方法の指針については現地の廃棄物処理当局にお問い合わせください。

LightningコネクタはiPhone 5、iPod touch (第5世代)、iPod nano (第7世代) でお使いいただけます。

AirPlayはiOS 4.3.3以降のiPhone / iPod touch / iPad、OS X Mountain Lion搭載のMac、バージョン10.2.2以降のiTunesがインストールされたMacその他PCでお使いいただけます。



2. Z2への接続

Z2は、3つの異なる方法で接続できます。

- ・ AirPlayを使用する。
- ・ Lightning™コネクタを使用する。
- ・ 外部入力(AUX)を使う。

図1は、Z2の背面パネルの接続ソケットを表しています。

Airplay接続

Z2は、ワイヤレスあるいは有線(Ethernet)接続を介して、AirPlayストリーミング技術を使ってiTunesからオーディオを再生できます。iTunesを起動しているコンピュータと同じネットワークに接続すれば、Z2は、ポップアップ・メニューのAirPlayの出力オプションとして表示することができます。Z2を設定してホーム・ネットワークに追加する方法や、Z2を使用して再生するためのiTunesの設定については、セクション5を参照してください。

注:最新バージョンのiTunesがインストールされていることを確認してください。

注:Z2をEthernetネットワークに接続する場合は、標準Ethernetケーブルが必要です。

iTunesからオーディオをストリーミングするだけでなく、AirPlayを使用して、iPod touch、iPhone、iPad®からZ2に直接オーディオをストリーミングすることもできます。ボリュームコントロールの付いているiPod touch、iPhone、iPadアプリケーションの場合、再生で使用可能なリモート・スピーカーを選択できるアイコンが追加されます。ワイヤレスの範囲内にあるすべてのAirPlayデバイスが、この選択リストに表示されます。

Lightning™コネクタを使用する。

Z2のLightningコネクタは、iPhone 5、iPod touch (5th generation)およびiPod nano (7th generation)と互換性があります。古い世代のiPodやiPhone、その他のミュージック・プレーヤーでは、それらのヘッドフォン・ソケットをZ2の背面パネルのAUX入力に接続して使用できる場合があります。Z2がオンまたはスリープまたはスタンバイ・モードになっている場合、ドッキングしたiPhoneとiPodは充電されます。

外部入力

外部アナログ音源や外部デジタル音源を聴きたい場合、ミニジャック・プラグ付きアナログ・ケーブルを使用してZ2 AUX入力ソケットに接続してください。

メイン入力(POWER)

メイン入力(POWER)Z2をメイン・コンセントに、電源を使用して接続します。メイン電源に初めて接続すると、Z2に自動的に電源が入り、インジケータが赤色に点滅します。

注:セクション4の表で、Z2のインジケータの色とその意味をすべてご説明します。

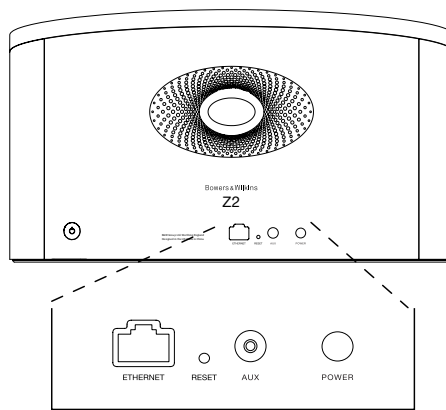


図1
Z2背面パネル

3. Z2を使う

Z2は、本体にあるコントロールまたはリモコンから操作できます。リモコンを使用する場合、最初に電池の絶縁タブを取り外す必要があります(図3に表示)。図4には、リモコンのキーの機能を示しています。

3.1 電源のオン・オフ

通常の動作モードに加え、Z2はスタンバイ・モードとスリープ・モードの両方を備えています。スタンバイ・モードでは、すべてのZ2機能がオフになり、電力消費が最小限になります。スリープ・モードでは、Z2のワイヤレス機能はネットワークに接続されたままです。スリープ・モードではZ2のインジケータが暗い赤色に点灯し、スタンバイ・モードでは消灯します。

Z2は、以下の方法によって、スタンバイ・モードからの切り替えが可能です。

- ・ Z2のスタンバイ・ボタンを押す。
- ・ iPod或いはiPhoneをドッキングする。

Z2は、以下の方法によって、スリープ・モードから切り替えが可能です。

- ・ Z2のスタンバイ・ボタンを押す。
- ・ リモコンのスタンバイ・キーを押す。
- ・ iPod或いはiPhoneにドッキングする。
- ・ AirPlayを使用して、Z2へ音楽をストリーミングする。
- ・ AUX入力を通して音楽を再生する。

Z2がスタンバイ或いはスリープから切り替えられたとき、接続がされたままであれば、最後に使用された入力を選択されます。最後に使われた入力が既に接続されていなければ、Z2は自動的にその入力を、AUX、ドック、USB、AirPlayへとスキャンし、最初に見つかった接続のいずれかを選択します。Z2のインジケータは、選択された入力に対し、指定されている色に変わります。AirPlayが設定されていて、接続された入力が見つからない場合、Z2は、デフォルトではAirPlayの入力を選択します。

注:初めて電源を入れた時にAirPlayがセットアップされていない場合、インジケータが黄色に点滅します。

注:セクション4の表で、Z2のインジケータの色とその意味をすべてご説明します。

Z2をスリープ・モードに切り替えるには、リモコンのスタンバイ・キーを押すか、Z2のスタンバイ・ボタンを2秒間押し続けます。Z2のインジケータが暗い赤色に点灯します。

Z2をスタンバイ・モードに切り替えるには、Z2のスタンバイ・ボタンを4秒間押し続けます。Z2のインジケータが消灯します。

注:Z2を、リモコンからスタンバイ・モードに切り替えることはできません。

注:30分以上使用されていない状態が続くと、Z2は自動的にスリープ・モードになります。

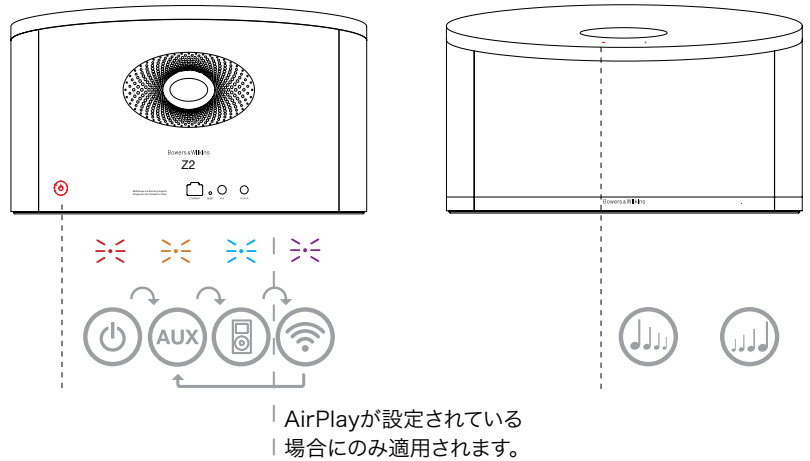


図2
Z2のコントロールを説明

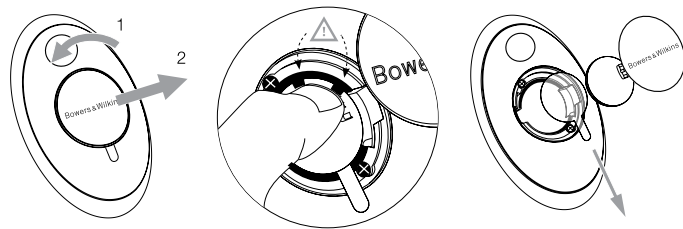


図3
Z2の絶縁タブを取り外す

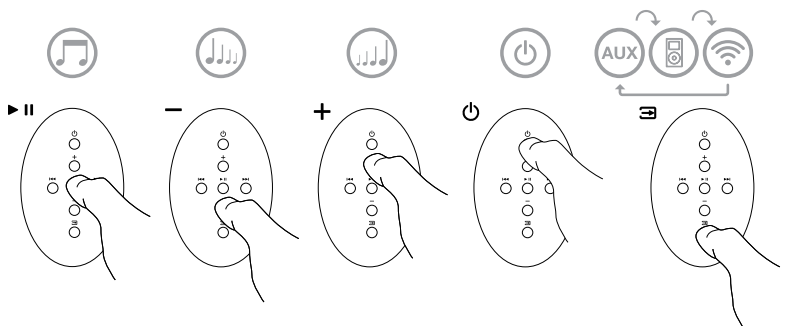


図4
Z2のリモート・コントロールの説明

3.2 Z2 の機能

図5は、Z2の接続を表しています。

スタンバイまたはスリープからZ2をスイッチオンすると

- ・ iPodまたはiPhoneのオーディオを聞くことができます。
- ・ 有線及び無線のネットワークに接続し、AirPlayを介してオーディオをストリームできます。
- ・ Z2のAUX入力を介してアナログのオーディオ・ソースを聞くことができます。
- ・ リモート・コントロールのボリューム・キーとZ2のボリューム・ボタンでボリュームをコントロールできます。
- ・ iPodやiPhoneがドッキングされているか、Z2がAirPlay経由でiTunesへ接続されている場合、リモート・コントロール・キーのPlay/Pauseキーを使ってオーディオの「プレー」と「ポーズ」を、或いはNextとPreviousキーを使って「次」または「前」のトラックを選択することが可能です。
- ・ 接続されている入力を選択するために、順次リモコンの入力キーかZ2のスタンバイ・ボタンを使用することができます。

3.3 Z2の自動入力切替

ある環境下ではZ2は自動的にAirPlay入りに切り替わります。或いはスリープ・モードからスイッチ・オンします。

- ・ ドック入力を選択されていて、ドッキングしているiPodやiPhoneが動作していないとき、AirPlay入りにiTunesのストリーム・オーディオが存在する場合、AirPlayが自動的に選択されます。
- ・ AUX入力を選択されているがオーディオがプレーしていない時、AirPlay入りにiTunesのストリーム・オーディオが存在する場合、AirPlay入力が自動的に選択されます。
- ・ Z2がスリープ・モードにある時、AirPlay入りにiTunesのストリーム・オーディオが存在する場合、自動的にストリーム・オーディオに切り替わってプレーを始めます。
- ・ Z2がスリープ・モードに1分間以上ある時に、オーディオ信号がAUX入力を通じて検出される場合、自動的にスイッチが切り替わりAUX入力のオーディオがプレーし始めます。

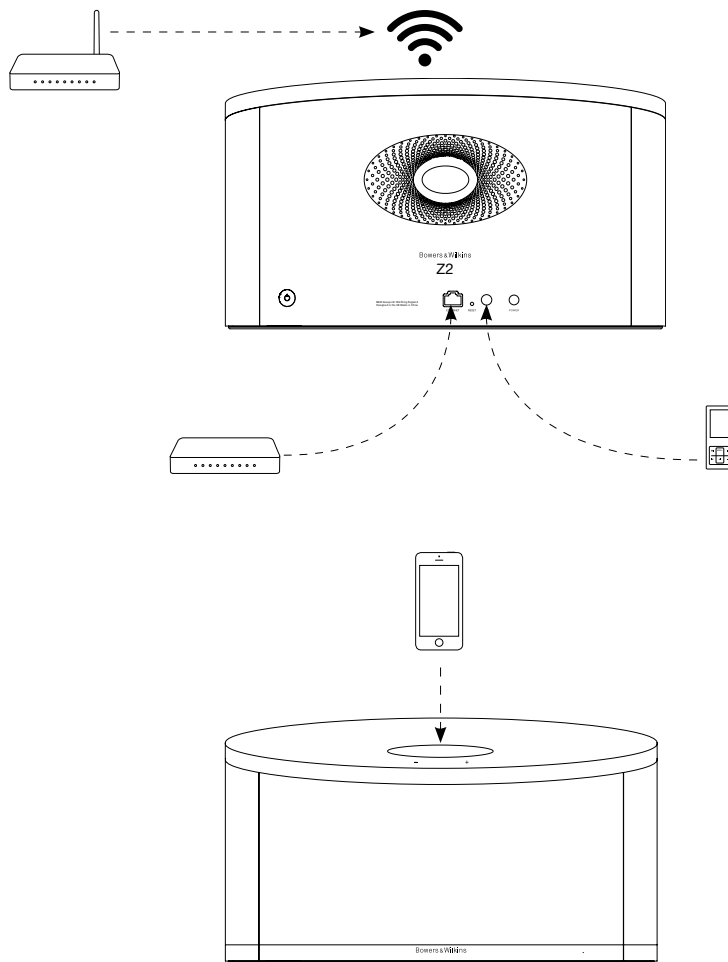


図5
Z2の接続性

4. Z2インジケータ

Z2のインジケータは多様な色に点灯して各操作状態を示します。表1に、その表示色と意味を示します。

5. ワイヤレス・ネットワークへの接続とiTunesの設定

iTunesの音楽を、AirPlayを使ってZ2で再生するためには、Z2を、iTunesがインストールされ起動しているコンピュータと同じネットワークに接続する必要があります。Z2ネットワーク・アドレッシングがDHCPに設定されます。これはつまり、ワイヤレス・ネットワークに一度接続したら、さらに設定をする必要がないということです。ホーム・ワイヤレス・ネットワーク名とパスワードを調べてから操作を始めてください。

5.1 iOSデバイス(iPod touch、iPadまたはiPhone)を使用した、お使いのZ2のセットアップ

- 「Bowers & Wilkins Control」アプリをApp Storeまたはwww.bowers-wilkins.com/controlからダウンロードします。
- 画面の指示に従います。

5.2 MacまたはPCを使用したセットアップ

- 「Bowers & Wilkins Control」アプリをApp Storeまたはwww.bowers-wilkins.com/controlからダウンロードします。
- 画面の指示に従います。

5.3 有線接続を使用したZ2のセットアップ

Z2をお使いのワイヤレス・ネットワークに接続するよう設定するには、最初にEthernetケーブルを使用してMacまたはPCに物理的に接続します。お使いのMacまたはPCのワイヤレス機能が無効になっていることを確認してください。一度接続されると、Z2セットアップ・ページを参照できます。以下で説明する手順に従います。

注:Z2は、AirPlayストリーミングでは有線ネットワークを使用することもできます。

- Z2からすべてのケーブルを取り外し、ドックされているiPodまたはiPhoneをドック解除します。
- Ethernetケーブルを使用して、Z2リア・パネルのETHERNETソケットをコンピュータのEthernetソケットに接続します。
- 電源ケーブルを接続します。Z2の電源がオンになり、インジケータが赤色に点滅します。
- Z2インジケータが黄色に点滅し始めます。Z2の「+」ボリューム・ボタンを4秒間押したままにします。有線ネットワーク接続が確立すると、Z2のインジケータが紫色になります。
- Z2に接続されているコンピュータで起動したインターネット・ブラウザ・アプリケーションで、ブラウザのアドレス・フィールドにZ2のデフォルト・ネットワーク・アドレス(<http://169.254.1.1>)を入力して、「リターン(return)」を押します。Z2のセットアップ・ページが表示されます。
- セットアップ・ページではZ2の名前を変更することもできます。複数のZ2をネットワークに接続する場合は、名前を変更しておく便利です。新しい名前(キッチンZ2など)を名前ボックスに入力します。

- ドロップ・ダウン・リストからホーム・ネットワーク名を選択し、対応するボックスにパスワードを入力します。パスワードは正確に入力するよう注意してください。
- 完了したら、適用ボタンをクリックします。Z2セットアップ・ページを閉じます。イーサネット・ケーブルを取り外してください。
- ワイヤレス・ネットワーク接続が確立すると、Z2のインジケータが落ち着いた紫色に変わります。これにはおおよそ3分ほどかかります。

注:Z2がホーム・ワイヤレス・ネットワークに接続できない場合、ネットワーク・パスワードの入力が正しくないことがもっともよくある誤りです。セクション7のリセット手順に従い、ネットワークのセットアップ手順をもう一度行ってください。

5.4 iTunesの設定

Z2をホーム・ネットワーク(有線またはワイヤレス)に接続すると、iTunesを、出力デバイスとして使用するよう設定できます。ポップアップメニューのAirPlayの出力オプションとしてZ2を選択します。これで、iTunesをZ2から再生することができるようになりました。

複数のZ2ユニットをワイヤレス・ネットワークに接続し、別の部屋でオーディオを再生することができます。それぞれのユニットごとにiTunesデバイス・メニューを使用できます。セットアップ・ページで指定した名前か、デフォルトではシリアル番号の下3桁により識別されます。

インジケータの表示色	意味	選択された入力
オフ	スタンバイ	なし
ほのかな赤色	スリープ	なし
赤色の点滅	パワーアップ	なし
2回の赤色の点滅	リセットの開始	なし
青色	オン	ドック
早い青色の点滅	ボリューム調整	ドック
オレンジ色	オン	Aux
早いオレンジ色の点滅	ボリューム調整	Aux
紫色	オン	AirPlay
早い紫色の点滅	ボリューム調整	AirPlay
遅い紫色の点滅	ネットワークが未接続	AirPlay
早い赤色の点滅	無効な操作	いかなる入力でも
遅い黄色の点滅	ワイヤレス・セットアップ・モード	なし
白色	ファームウェアのアップデート	なし
白色の点滅	ファームウェアのエアー	なし

図1
インジケータの色と意味

6. Z2のファームウェアのアップデート

不定期にアップデートされたZ2のファームウェアがBowers & WilkinsのウェブサイトのZ2サポート・セクションからダウンロードすることが可能です。

7. Z2の工場出荷時状態へのリセット

Z2には、リア接続パネルにピンホール型のリセット・ボタンがあります。このリセット・ボタンは図6のような形をしています。Z2ネットワークの設定(AirPlay入力)を工場出荷時のデフォルトに戻すには、電源ケーブルが接続されていること、Z2の電源がオンになっていることを確認します。リセット・ボタンを2秒間押し続けます。インジケータが赤色で2回点滅します。

8. Z2のクリーニング

Z2をクリーニングする場合は、糸くずが出ない布を使用してください。もし、洗剤を使用する場合は、Z2に直接ではなく、クリーニング用の布につけてご使用ください。いくつかのクリーニング製品は、表面の一部にダメージを与えるおそれがありますので、初めは小さな部分でテストします。研磨剤入りのもの、酸やアルカリを含むもの、或いは抗菌剤を含むものは避けてください。

9. トラブルシューティング

特定の問題のトラブル・シューティングに役立つ、或いはお聞きになりたい質問がある場合は、当社のトラブルシューティングガイド、または当社ウェブサイトのZ2製品サポートページのFAQセクションを参照してください。www.bowers-wilkins.com

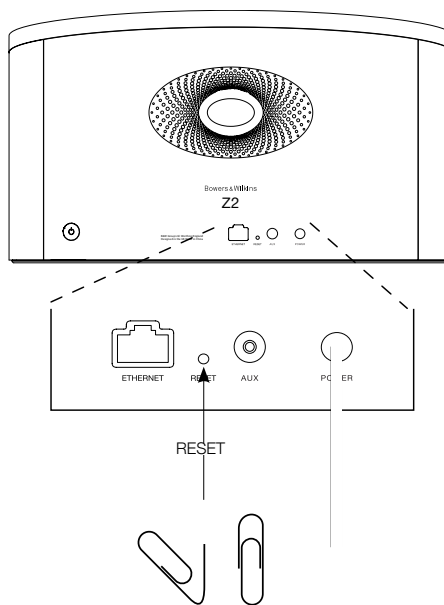


図6
Z2の工場出荷時状態へリセット

技術的特徴

モデル	: Z2
仕様	: ワイヤレス・ミュージック・システム
技術的特徴	: Apple® AirPlay® テクノロジー Lightning™コネクタ デジタル・シグナル・プロセッシング(DSP) 高品質クラスDアンプ スイッチモード・パワーサプライ Flowport™ リモート・コントロール
ドライブ・ユニット	: 2x 87.5mm (3.5 in) フルレンジ
周波数レスポンス	: 50Hz – 20kHz ±3dB (基準軸上)
周波数レンジ	: -6dB 36Hz～22kHzにおいて
アンプ出力	: 2x 20W
入力電圧	: 100V - 240V 50/60Hz
定格消費電力	: 36W
スタンバイ時消費電力	: <0.5W
動作時温度	: 本製品は周辺温度が最高45°までで動作するよう設計されています。
入力	: Lightning™コネクタ ネットワーク(RJ-45 Ethernet或いはWi-Fi) 補助入力 - アナログ(3.5mmミニ・ジャック)
高さ	: 180mm
幅	: 320mm
奥行	: 100mm
質量	: 2.6kg
エンクロージャー	: グラスファイバー入りABS樹脂
グリル	: メタル製
Appleとの互換性	: LightningコネクタはiPhone 5、iPod touch (第5世代)、iPod nano (第7世代) でお使いいただけます。 AirPlayはiOS 4.3.3以降のiPhone / iPod touch / iPad、OS X Mountain Lion搭載のMac、バージョン10.2.2以降のiTunesがインストールされたMacその他PCでお使いいただけます。

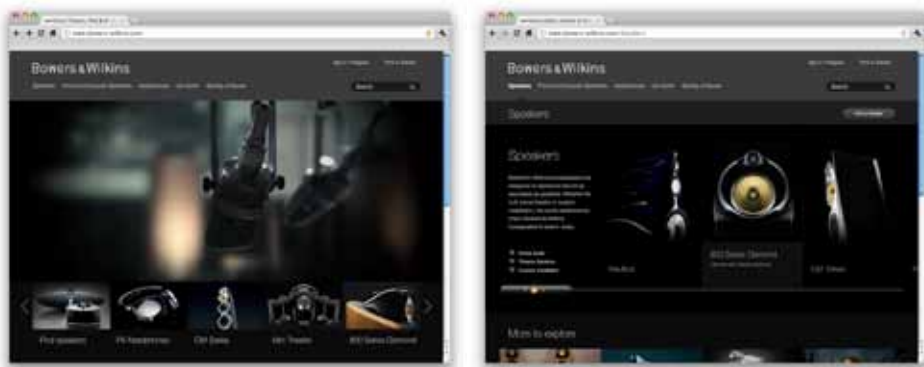
Bowers & Wilkins 제품을 구매하여 주신데 대해 깊이 감사 드립니다.

Bowers & Wilkins의 창립자 John Bowers는 가정에서 오디오의 즐거움을 느끼게 하는 중요 요소는 창의력이 풍부한 디자인, 혁신적 엔지니어링과 고도의 기술이라고 확신하였습니다. 그의 신념은 현재도 Bowers & Wilkins에서 공유되고 있으며 Bowers & Wilkins가 설계하는 모든 제품에 생명을 불어 넣고 있습니다.

Z2는 단순한 iPod 도킹 스피커가 아닙니다. iPod이나 iPhone에 저장된 음악을 즐길 수 있을 뿐만 아니라 아래와 같이 사용하실 수 있습니다.

- 유선 또는 무선으로 연결된 네트워크를 통해 iTunes로부터 직접 오디오를 재생
- TV나 USB 단자가 없는 포터블 뮤직 플레이어와 같은 외부 오디오 소스를 연결하여 재생

본 매뉴얼에는 제품 박스에 포함된 내용물에 대한 설명을 시작으로 Z2를 사용하는데 필요한 다양한 사용법이 기재되어 있습니다.



www.bowers-wilkins.com

1. 내용물

1. Z2
2. 직류전원장치
3. 리모컨
4. 설명서 팩

환경 정보

B&W 제품은 유럽 유해물질사용제한지침 (RoHS), 화학물질관리제도(REACH)와 폐전기전자제품처리지침(WEEE)에 대응하여 설계되어 있습니다. 포장재나 제품을 폐기할 경우 재활용 가능 자원의 분리 배출요령에 따라 수거하여 주십시오.

라이트닝 컨넥터는 iPhone 5, iPod touch(5세대), iPod nano(7세대)와 동작합니다.

AirPlay는 iOS 4.3.3 이상 버전의 iPhone, iPod touch, iPad와 OS X Mountain Lion의 Mac 또는 iTunes 10.2.2 이상의 Mac이나 PC에서 동작합니다.



2. Z2 연결

Z2는 다음과 같이 3가지 방법으로 연결하여 사용할 수 있습니다.

- AirPlay®를 사용하여 iTunes로부터 무선 스트리밍
- 전면의 라이트닝(Lightning™) 컨넥터를 사용
- Aux 입력 단자 사용

그림 1에 Z2 리어 패널의 연결단자를 나타냈습니다.

AirPlay 연결

Z2는 AirPlay 스트리밍 기술을 사용하여 iTunes로부터 무선이나 유선(이더넷)으로 오디오를 재생할 수 있습니다. iTunes가 실행되고 있는 컴퓨터와 동일 네트워크에 연결되었을 때는 iTunes 팝업 메뉴 안에 Z2가 출력 옵션으로 나타납니다. 홈 네트워크에 추가하기 위한 Z2 설정과 Z2로 재생하기 위한 iTunes 설정에 관해서는 Section 5를 참조하십시오.

주의: 최신 버전의 iTunes가 설치되어 있는지 확인하십시오.

주의: Z2를 이더넷 네트워크에 연결하려면 표준 이더넷 케이블이 필요합니다.

AirPlay는 iTunes로부터 오디오를 스트리밍하는 것 뿐만 아니라 iPod touch, iPhone, iPad로부터 Z2로 직접 오디오를 스트리밍할 수 있습니다. 볼륨 조절이 가능한 모든 iPod touch, iPhone, iPad 어플리케이션에는 리모트 스피커를 선택할 수 있는 추가 아이콘이 있습니다. Z2 무선 연결에서는 선택 리스트가 포함됩니다.

라이트닝 컨넥터에 iPod 도킹

Z2의 라이트닝 컨넥터는 iPhone 5, iPod touch (5세대), iPod nano(7세대)와 동작합니다. 다른 iPod, iPhone 모델이나 뮤직 플레이어는 헤드폰 출력단자를 Z2 리어 패널의 AUX 입력에 연결하여 사용할 수 있습니다. Z2가 ON 상태이거나 Standby 또는 Sleep 모드일 때 iPod, iPhone을 도킹시키면 충전이 진행됩니다.

AUX 입력

외부 아날로그 소스를 재생하려면 미니 잭 단자로 처리된 아날로그 케이블로 Z2 AUX 단자에 연결하십시오.

전원입력

직류전원장치의 출력 전원을 Z2에 연결하십시오. 전원을 처음 연결하면 인디케이터가 적색으로 점멸하면서 자동으로 전원이 서서히 켜지게 됩니다.

주의: Section 4의 테이블에 Z2 인디케이터 색상과 그 의미를 나타냈습니다.

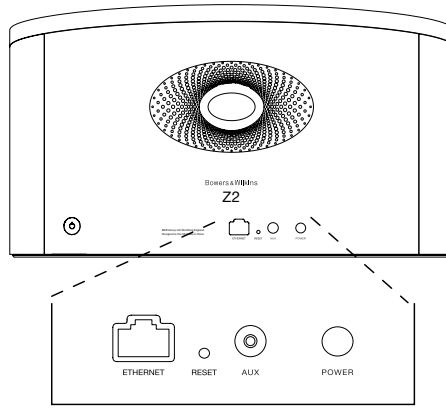


그림 1
Z2 리어 패널

3. Z2 사용하기

그림 2와 같이 본체에서 또는 리모컨으로 작동시킬 수 있습니다. 리모컨을 사용하려면 그림 3처럼 먼저 배터리 절연 탭을 제거해야 합니다. 그림 4에 리모컨 주요 기능을 나타냈습니다.

3.1 전원 끄고 켜기

Z2에는 정상적인 동작 모드 외에 Standby와 Sleep 모드가 있습니다. Standby 모드에서는 Z2의 모든 기능이 꺼지고 전력 소모가 최소화됩니다. Sleep 모드에서는 Z2의 무선 기능이 네트워크에 연결된 상태로 남아 있습니다. Z2 인디케이터는 Standby 모드에서는 어두운 적색으로 점등되며 Sleep 모드에서는 소등됩니다.

Standby 모드에서는 아래와 같은 방법으로 전환시킬 수 있습니다.

- Z2의 Standby 버튼 (⏻)을 누른다.
- iPod나 iPhone을 도킹시킨다.

Sleep 모드에서는 아래와 같은 방법으로 전환시킬 수 있습니다.

- Z2의 Standby 버튼 (⏻)을 누른다.
- 리모컨의 Standby 버튼 (⏻)을 누른다.
- iPod나 iPhone을 도킹시킨다.
- Airplay로 Z2로 음악을 스트리밍한다.
- Aux 입력으로 음악을 재생한다.

Standby나 Sleep 모드에서 전원을 켰을 때 마지막으로 사용했던 입력이 아직 연결되어 있는 상태라면 그 입력이 선택됩니다. 마지막으로 사용했던 입력이 연결되지 않은 상태라면 자동으로 입력(AUX, Dock, AirPlay)을 탐색한 후 먼저 찾은 쪽을 선택합니다. 연결된 입력이 없다면 Z2은 디폴트로 AirPlay 입력을 선택합니다.

주의: AirPlay 입력이 설정되지 않은 상태라면 인디케이터가 노랑색으로 점멸합니다.

주의: Section 4의 테이블에 Z2 인디케이터 색상과 그 의미를 나타냈습니다.

Z2를 Sleep 모드로 전환시키려면 리모컨의 Standby 버튼을 누르거나 Z2의 Standby 버튼을 2초 이상 누르십시오. 인디케이터가 어두운 적색으로 점등됩니다.

Z2를 Standby 모드로 전환시키려면 Z2의 Standby 버튼을 4초 이상 누르십시오. 인디케이터가 소등됩니다.

주의: 리모컨으로는 Standby 모드로 전환시킬 수 없습니다.

주의: Z2를 30분 이상 동작하지 않는 상태로 방치하면 자동으로 Sleep 모드로 들어갑니다.

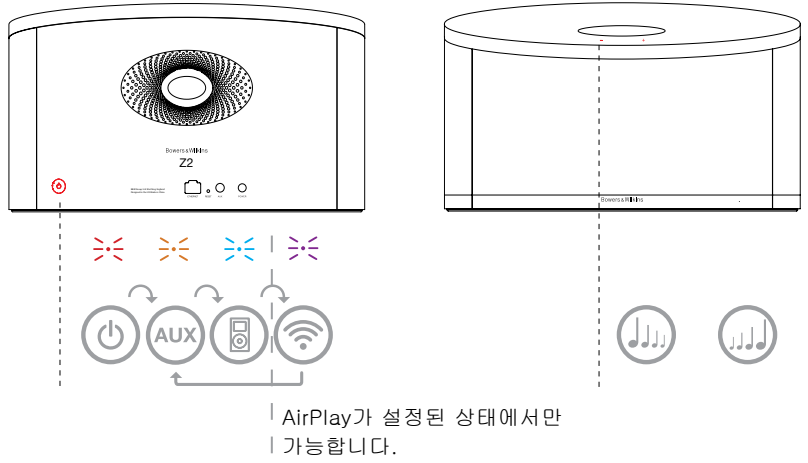


그림 2
Z2 기능 설명

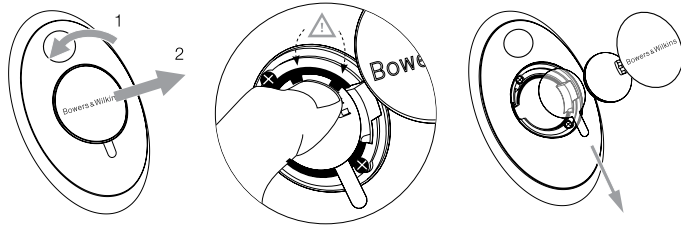


그림 3
Z2 리모컨 절연 탭 제거

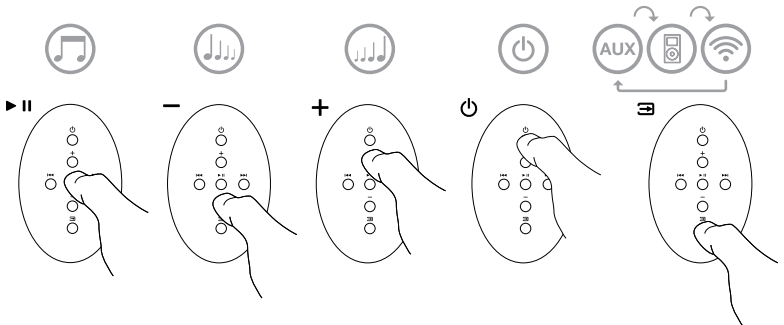


그림 4
Z2 리모컨 기능 설명

3.2 Z2 기능

그림 5에 Z2와의 연결을 나타냈습니다.

Standby 모드나 Sleep 모드에서 재생 모드로 전환하면

- iPod나 iPhone 오디오를 재생할 수 있습니다
- 네트워크에 유선 또는 무선으로 연결할 수 있으며 AirPlay를 통해 iTunes 오디오를 재생할 수 있습니다.
- AUX 입력을 통해 연결하여 다른 아날로그 소스를 재생할 수 있습니다.
- 리모컨 볼륨 버튼이나 Z2 본체의 볼륨 버튼으로 볼륨을 조정할 수 있습니다.
- iPod, iPhone이 도킹되어 있거나 AirPlay를 통해 iTunes와 연결되어 있으면 리모컨의 Play/Pause 버튼으로 재생/정지시키거나 전, 후 버튼으로 전, 후 트랙을 선택할 수 있습니다.
- 리모컨의 입력 버튼이나 Z2 본체의 Standby 버튼으로 다음 입력을 차례로 선택할 수 있습니다.

3.3 Z2 자동 입력 전환

Z2는 상황에 따라 자동으로 AirPlay 입력으로 바뀌거나 Sleep 모드로부터 켜지게 됩니다.

- Dock 입력이 선택되었으나 도킹된 iPod, iPhone의 재생이 중지되었을 경우 AirPlay 입력으로 iTunes의 스트리밍 오디오가 입력되면 자동으로 AirPlay 입력이 선택됩니다.
- AUX 입력이 선택되었으나 오디오가 재생되지 않을 경우 AirPlay 입력으로 iTunes의 스트리밍 오디오가 입력되면 자동으로 AirPlay 입력이 선택됩니다.
- Sleep 모드일 때 AirPlay 입력으로 iTunes의 스트리밍 오디오가 입력되면 자동으로 켜져 스트리밍되는 오디오를 재생합니다.
- Sleep 모드일 때 AUX 입력으로 오디오가 입력되면 자동으로 AUX 입력이 선택됩니다.

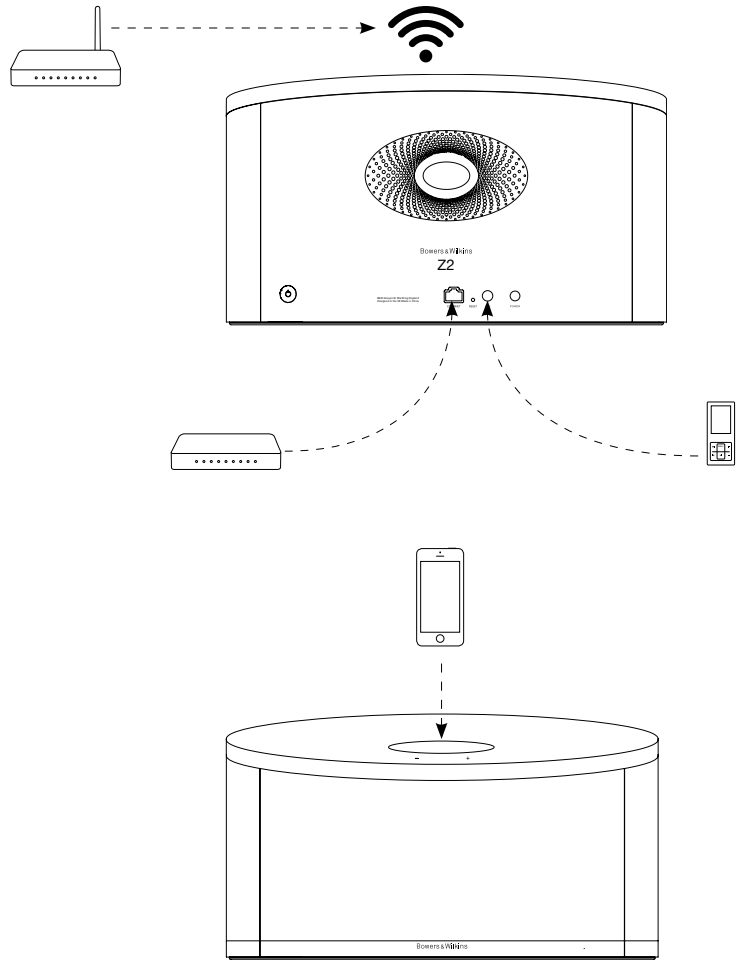


그림 5
Z2의 연결

4. Z2 인디케이터

Z2의 인디케이터는 여러 색으로 점등되어 다양한 동작 상태를 나타냅니다. 테이블 1에 인디케이터의 표시색과 상태를 나타냈습니다.

5. 무선 네트워크 연결과 iTunes 설정

Z2에서 AirPlay를 사용하여 iTunes의 음악을 재생하려면 iTunes가 설치되어 기동하고 있는 컴퓨터와 동일한 네트워크에 Z2를 연결해야 합니다. Z2의 네트워크 주소 지정은 DHCP로 설정되어 있기 때문에 무선 네트워크에 한 번 연결하면 그 후의 상세한 설정은 불필요합니다. 연결을 하기 전에 사용하는 홈 무선 네트워크의 이름과 패스워드를 확인하여 주십시오.

- 드롭 다운 리스트에서 사용하고 있는 홈 네트워크 이름을 선택한 후 패스워드를 입력하십시오.
- 설정이 완료되면 Apply 버튼을 클릭한 후 Z2 셋업 페이지를 닫아 주십시오. 이더넷 케이블을 제거하십시오.
- 무선 네트워크 연결이 확립되면 Z2 인디케이터가 보라색으로 점등됩니다. 이 과정은 약 60초 정도 소요됩니다.

주의 : 홈 무선 네트워크 연결에 실패한 경우 대부분은 네트워크 패스워드가 올바르게 입력되어 있지 않은 것으로 판단됩니다. Section 7 설명에 따라 리셋시킨 후 네트워크 설정을 한번 더 실행해 주십시오.

5.1 iOS 기기(iPod touch, iPad, iPhone)에서 Z2 설정

- 앱 스토어나 www.bowers-wilkins.com/control 을 방문하여 Bowers & Wilkins AirPlay Control App을 다운 받으십시오.
- 온스크린 안내에 따라 설정을 실행하십시오.

5.2 Mac나 PC에서 설정

- 앱 스토어나 www.bowers-wilkins.com/control 을 방문하여 Bowers & Wilkins AirPlay Control App을 다운 받으십시오.
- 온스크린 안내에 따라 설정을 실행하십시오.

5.3 유선 연결에서의 Z2 설정

Z2를 설정하여 무선 네트워크에 연결하려면 맨 먼저 이더넷 케이블을 사용하여 Z2를 Mac/PC에 연결할 필요가 있습니다. Mac/PC의 무선 연결 기능이 해제되는 것을 확인할 필요가 있습니다. 유선으로 연결되면 Z2의 셋업 페이지가 표시됩니다. 아래의 순서에 따라 주십시오.

주의 : Z2는 AirPlay 스트리밍용의 유선 네트워크도 사용할 수 있습니다.

- Z2로부터 모든 케이블과 도킹된 iPod, iPhone을 제거합니다.
- 이더넷 케이블을 사용하여 Z2 리어 패널의 이더넷 단자와 컴퓨터의 이더넷 단자를 연결합니다.
- 전원 케이블을 연결합니다. Z2의 인디케이터가 어두운 적색으로 점멸합니다.
- Z2가 자동으로 AirPlay 입력을 선택하고 네트워크 연결을 시도합니다. 이 조작에서는 최대 90초 동안 인디케이터가 노랑색으로 점멸합니다. 이 때 Z2의 '+' 볼륨 버튼을 4초 정도 누르고 있으면 인디케이터가 보라색 점등 상태로 바뀌며 유선 네트워크 연결이 완전하게 확립된 상태가 됩니다.
- Z2에 연결된 컴퓨터에서 기동하고 있는 인터넷 브라우저 어플리케이션을 사용하여 디폴트 네트워크 주소(<http://169.168.10.1>)를 브라우저의 주소창에 입력한 후 엔터 키를 누릅니다. Z2의 셋업 페이지가 열립니다.
- 셋업 페이지에 Z2의 이름을 변경하는 옵션이 표시됩니다. 2대 이상의 Z2를 네트워크에 연결할 계획이 있을 경우에는 이름을 변경해 두면 편리합니다. 새로운 이름(예를 들어 Z2 Kitchen 등)을 Name box에 입력하십시오.

5.4 iTunes의 설정

Z2가 홈 네트워크에(유선 또는 무선으로) 연결되어 있으면 Z2를 출력 디바이스로서 사용하도록 iTunes를 설정할 수 있습니다. 팝업 AirPlay 메뉴에서 Z2를 출력 옵션으로 선택하십시오. 이제 iTunes는 Z2를 통해 재생됩니다.

여러 대의 Z2를 무선 네트워크에 연결하여 각각의 공간에서 오디오를 즐길 수가 있습니다. 이 경우 각 Z2는 iTunes 디바이스 메뉴에 표시되어 셋업 페이지에서 지정한 이름으로 식별되며 디폴트에서는 일련 번호의 마지막 3자리수로 식별됩니다.

인디케이터 표시색	상태	선택된 입력
꺼짐	Standby	없음
어두운 적색	Sleep	없음
적색 점멸	전원이 켜지는 중	없음
적색 2회 점멸	볼륨 조정	없음
청색	On	Dock
청색 빠르게 점멸	볼륨 조정	Dock
주황색	On	Aux
주황색 빠르게 점멸	볼륨 조정	Aux
보라색	On	AirPlay
보라색 빠르게 점멸	볼륨 조정	AirPlay
보라색 느리게 점멸	연결된 네트워크 없음	AirPlay
적색 빠르게 점멸	시스템 이상	모든 입력
노랑색 느리게 점멸	무선 셋업 모드	없음
백색	펌웨어 업데이트	없음
백색 점멸	펌웨어 에러	없음

테이블 1
인디케이터 색상과 상태

6. Z2 펌웨어 업데이트

Bowers & Wilkins 웹사이트의 Z2 서포트 섹션에서 최신 Z2 펌웨어를 다운로드할 수 있습니다.

7. Z2 초기화

Z2 리어 패널에 핀홀의 리셋 버튼이 있습니다. 리셋 버튼의 상세한 위치는 그림 6을 참조하십시오. Z2의 네트워크 설정(AirPlay 입력)을 공장출하시의 초기설정으로 되돌리려면 전원을 켜고 리셋 버튼을 2초 동안 눌러 주십시오. 인디케이터가 적색으로 2회 점멸합니다.

8. Z2 클리닝

스피커의 그릴 천은 옷솔 또는 노즐이 있는 청소기로 청소해 주십시오. 그 외의 표면은 부드러운 옷감으로 닦아 주십시오. 클리너를 사용할 경우에는 표면에 직접 뿌리지 말고 부드러운 천에 뿌려 사용하십시오. 클리너에 따라서는 제품의 표면에 손상을 줄 염려가 있으므로 먼저 작은 부분에서 시험해 주십시오. 연마제나 산, 알칼리, 향균제를 함유한 클리너는 사용하지 마십시오.

9. 고장 수리

구체적인 문제의 해결 방법에 관한 문의나 그 궁금한 사항에 대해서는 Bowers & Wilkins 웹사이트 www.bowers-wilkins.com/Support의 Troubleshooting guide나 FAQ 섹션을 참고하십시오.

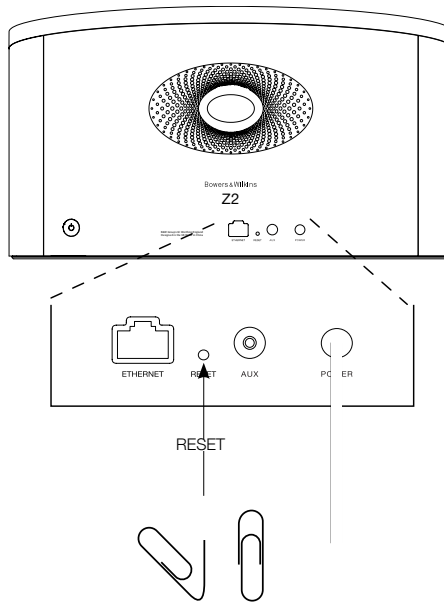


그림 6
Z2 공장출하시의 초기상태로 리셋

기술 사양

모델명	Z2
형식	무선 유직 시스템
기술적 특징	Apple® AirPlay® 테크놀로지 라이트닝(Lightning™) 컨넥터 디지털 시그널 프로세싱(DSP) 고품질 D 클래스 앰프 스위치모드 전원 Flowport™ 리모컨
드라이브 유닛	2x 87.5mm(3.5") 플레인지
주파수 응답	50Hz - 20kHz ±3dB
주파수 범위	-6dB@42Hz, 22kHz
앰프 출력	2x 20W
전원	100V -240V~ 50/60Hz
정격소비전력	36W
대기전력	0.5W 이하
동작 온도	45°C 이하에서 정상 동작
입력	라이트닝(Lightning™) 컨넥터 네트워크 (RJ45 이더넷 또는 Wi-Fi) Aux 아날로그 (3.5mm 미니잭)
높이	180mm
폭	320mm
깊이	100mm
중량	2.6kg
인클로저	유리섬유 보강 ABS
그릴	메탈
애플 호환성	라이트닝 컨넥터는 iPhone 5, iPod touch(5세대), iPod nano (7세대)와 동작합니다. AirPlay는 iOS 4.3.3 이상 버전의 iPhone, iPod touch, iPad와 OS X Mountain Lion의 Mac 또는 iTunes 10.2.2 이상의 Mac이나 PC에서 동작합니다.