

- [Home](#)
- [Newsletter](#)
- [Contact us](#)
- [How to buy](#)
- [OEM systems](#)



WF110WA04 4½" paper cone mid/woofer, 8 ohm

WF110WA04 is the 8 ohm version of the WF110WA02, a mid/woofer designed for demanding bass and midrange applications. It works equally well for high-end hi-fi, high quality home theater systems, and top multimedia setups.

It is powered by a large 90mm magnet structure that ensures good efficiency and optimal T/S parameters.

The large 32mm voice coil ensures high power handling - thermally and mechanically

The optimized paper cone ensures wide bandwidth and low distortion. Distortion is further reduced by efficient venting and an alu stabilizing ring.

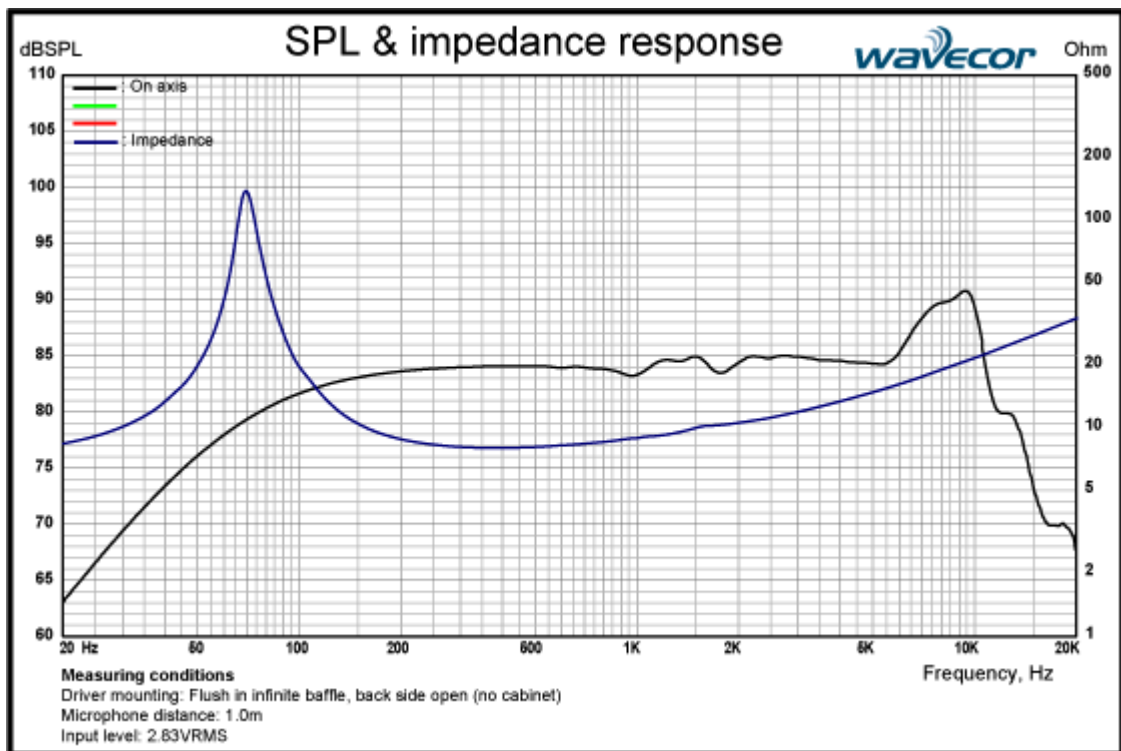
WF110WA04 is a good choice for very compact 2-way speaker systems.



FEATURES

- Built-in alu field-stabilizing ring for reduced high-level distortion
- Vented voice coil former for reduced distortion and compression
- Vented chassis for lower air flow speed reducing audible distortion
- Voice coil wound with Copper Clad Aluminium Wire for higher efficiency and better dynamics
- Heavy-duty black fiber glass voice coil bobbin to increase power handling and reduce mechanical losses resulting in better dynamic performance and low-level details
- Large motor system with 1¼" voice coil diameter and 85mm magnet for better control and efficiency
- Long linear stroke motor for reduced distortion at high levels
- Linear suspension with specially designed CONEX damper (spider) for long durability under extreme operating conditions
- Gold plated terminals to prevent oxidation for long-term reliable connection

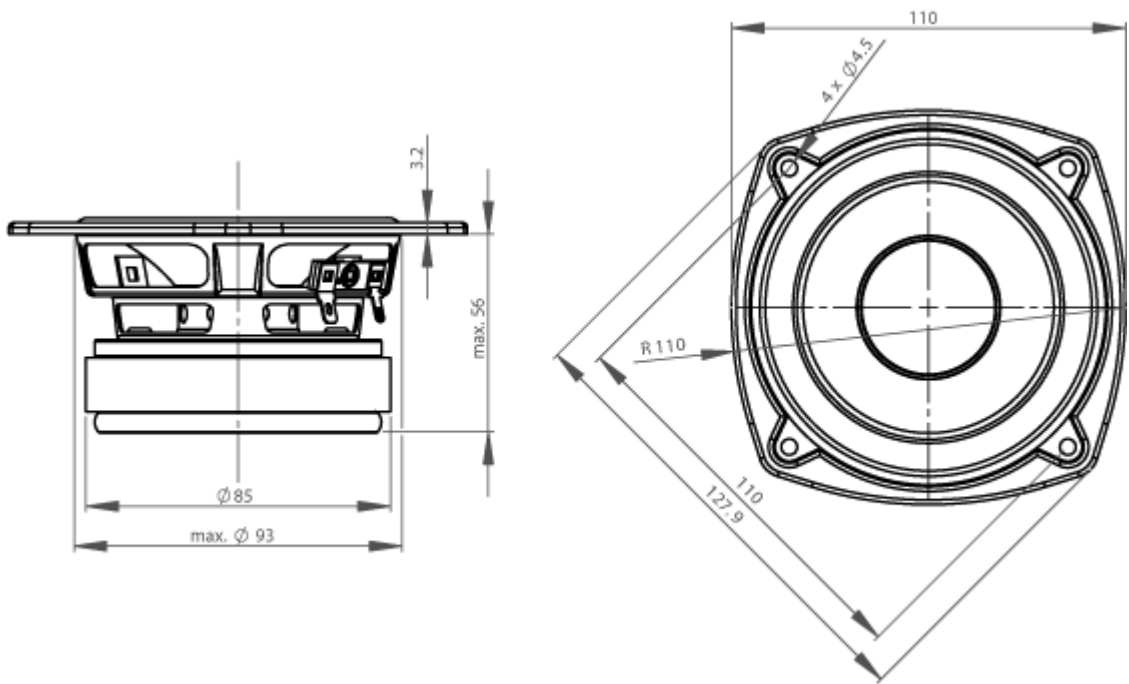
FREQUENCY RESPONSE



NOMINAL SPECIFICATIONS

| | |
|--|-------------|
| Nominal size | 4½ [inch.] |
| Nominal impedance | 8 [ohm] |
| Recommended upper frequency limit | 4 [kHz] |
| Recommended cabinet volume | 2-4 [lit.] |
| Sensitivity, 2.83V/1m, (average 500-4,000Hz) | 84 [dB] |
| Voice coil diameter | 32.5 [mm] |
| Voice coil height | 12 [mm] |
| Air gap height | 5 [mm] |
| Voice coil resistance, R_{DC} | 6.3 [ohm] |
| Voice coil inductance | 0.21 [mH] |
| Magnet weight | 325 [g] |
| Effective radiating area, S_d | 55 [sq.cm] |
| Power handling, continuous, IEC 268-5 | 50 [W] |
| Resonance freq., F_s | 70 [Hz] |
| Moving mass, incl. air | 5.5 [g] |
| Force factor, $B \times l$ | 5.3 [Tm] |
| Mechanical Q, Q_m | 13 - |
| Electrical Q, Q_e | 0.54 - |
| Total Q, Q_t | 0.52 - |
| Suspension compliance, C_{ms} | 0.96 [mm/N] |
| Equiv.. air volume, V_{as} | 4.0 [lit.] |
| Total unit net weight | 0.95 [kg] |

OUTLINE DRAWING AND DIMENSIONS (mm)



PACKAGING INFORMATION

| | |
|-----------------------|--|
| Part no. WF110WA04-01 | Individual packaging (one piece per box) |
| Part no. WF110WA04-02 | Bulk packaging |

Specifications are subject to change without any further notice.
 Copyright © 2006-2008 by Wavecor Ltd., Guangzhou, China. All rights reserved.