



## WF110WA02 4½" ferrite mid/woofer, 4 ohm

WF110WA02 is a mid/woofer designed for demanding bass and midrange applications. It works equally well for high-end hi-fi, high quality home theater systems, and top multimedia setups.

It is powered by a large 85mm magnet structure that ensures good efficiency and optimal T/S parameters.

The large 32mm voice coil ensures high power handling - thermally and mechanically

The optimized paper cone ensures wide bandwidth and low distortion. Distortion is further reduced by efficient venting and an alu flux stabilizing ring.

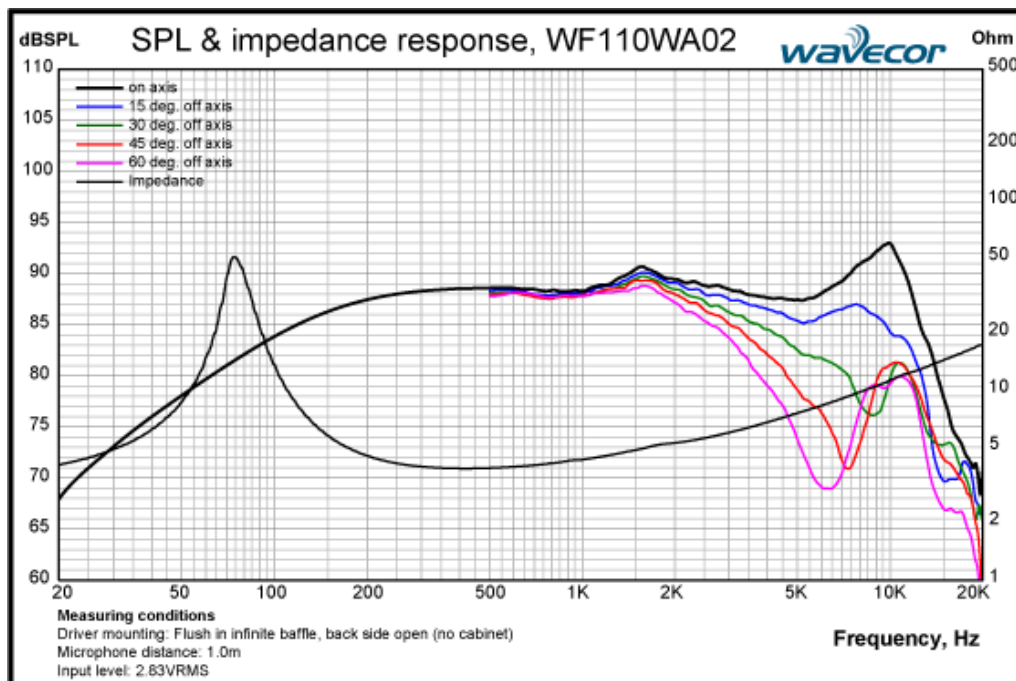
WF110WA02 is a good choice for very compact 2-way speaker systems.



### FEATURES

- Built-in alu field-stabilizing ring for reduced high-level distortion
- Vented voice coil former for reduced distortion and compression
- Vented chassis for lower air flow speed reducing audible distortion
- Voice coil wound with Copper Clad Aluminium Wire for higher efficiency and better dynamics
- Heavy-duty black fiber glass voice coil bobbin to increase power handling and reduce mechanical losses resulting in better dynamic performance and low-level details
- Large motor system with 1¼" voice coil diameter and 85mm magnet for better control and efficiency
- Black magnet parts for better heat transfer to increase power handling
- Long linear stroke motor for reduced distortion at high levels
- Linear suspension with specially designed CONEX damper (spider) for long durability under extreme operating conditions
- Gold plated terminals to prevent oxidation for long-term reliable connection

### FREQUENCY RESPONSE

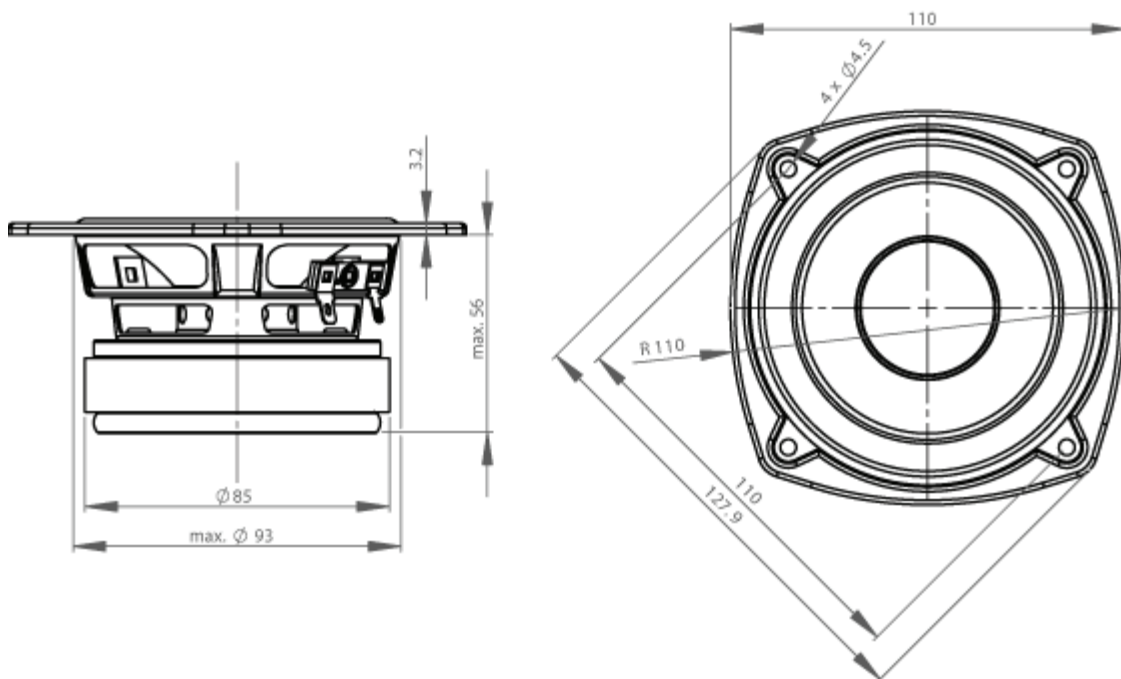


## NOMINAL SPECIFICATIONS

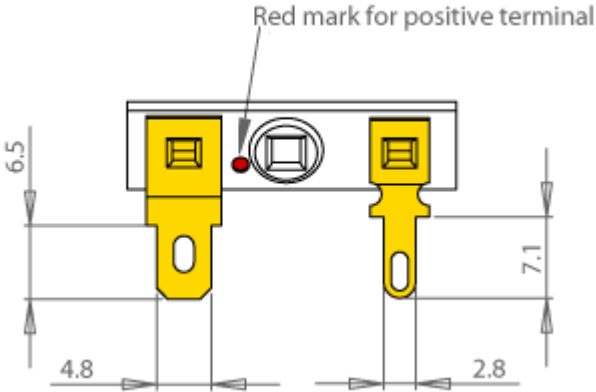
Nominal size	4½ [inch.]
Nominal impedance	4 [ohm]
Recommended upper frequency limit	4 [kHz]
Recommended cabinet volume	2-4 [lit.]
Sensitivity, 2.83V/1m, (average 500-4,000Hz)	88.5 [dB]
Voice coil diameter	32.5 [mm]
Voice coil height	11 [mm]
Air gap height	5 [mm]
Voice coil resistance, $R_{DC}$	3.2 [ohm]
Voice coil inductance	0.13 [mH]
Magnet weight	325 [g]
Effective radiating area, $S_d$	55 [sq.cm]
Power handling, continuous, IEC 268-5	50 [W]
Resonance freq., $F_s$	76 [Hz]
Moving mass, incl. air, free air	6.2 [g]
Force factor, $B_{xl}$	4.6 [Tm]
Mechanical Q, $Q_m$	8.5 -
Electrical Q, $Q_e$	0.45 -
Total Q, $Q_t$	0.43 -
Suspension compliance, $C_{ms}$	0.70 [mm/N]
Equiv. air volume, $V_{as}$	3.0 [lit.]
Total unit net weight	0.95 [kg]

*Specifications are before burn-in*

## OUTLINE DRAWING AND NOMINAL DIMENSIONS (mm)



**TERMINAL NOMINAL DIMENSIONS (mm)**



Thickness, both terminals: 0.5mm  
Terminal plating: Gold

June 9, 2014

Specifications are subject to change without any further notice.  
Copyright © 2006-2014 by Wavecor Ltd., Guangzhou, China. All rights reserved.