



PR263WA01 10¼" die cast alu cone passive radiator

PR263WA01 is a passive unit designed for dedicated subwoofer applications - as a partner to our active subwoofer units.

Due to low mechanical losses PR263WA01 masters equally well low level details and extreme dynamic requirements.

For demanding subwoofer applications using a passive unit is usually the only real alternative to sealed enclosures with active bass boost.

To make experimenting and individual tuning convenient and easy, the PR263WA01 is delivered with three separate extra loads that are easily applied onto a threaded rod on the rear side of the cone (see picture below).



PR263WA01 and the included 3 extra weights

FEATURES

- Extremely rigid aluminium cone for precise transient response
- Die cast alu chassis
- Rear M8 threaded rod for trouble free and rigid addition of extra mass
- Delivered with three separate mass loads for easy custom tuning



All 3 extra weights added at the same time (+350g)

ADDING MASS

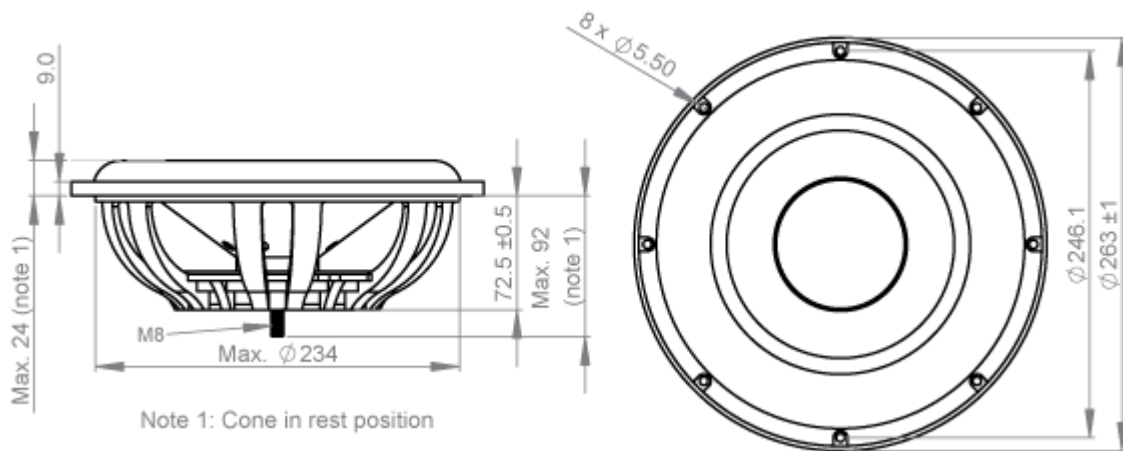
Extra mass is easily added on the rear (see picture above). Either one, two or all three included mass loads can be added, or any custom mass object can be added simply using an M8 nut for fastening. The loads included with PR263WA01 do not require any nuts as they are made with M8 threaded center holes.

For experiments trying out different values of moving mass for different tunings, it is usually sufficient just to tighten the loads/nut by hand.
Once the final mass has been determined it is recommend to add some adhesive to secure the loads from coming loose during operation.

NOMINAL SPECIFICATIONS

Nominal size	10¼ [inch.]
Effective radiating area, S_d	314 [sq.cm]
Resonance freq., F_s (free air), without additional mass	18.5 [Hz]
- with additional 50g mass	16.9 [Hz]
- with additional 100g mass	15.7 [Hz]
- with additional 150g mass	14.7 [Hz]
- with additional 200 g mass	13.8 [Hz]
- with additional 250g mass	13.1 [Hz]
- with additional 300g mass	12.5 [Hz]
- with additional 350g mass	12.0 [Hz]
Moving mass (free air), without extra weight <i>(may be be increase in 50g steps from +50g to +350g)</i>	255 [g]
Suspension compliance, C_{ms}	0.29 [mm/N]
Equiv. air volume, V_{as}	40.5 [lit.]
Mechanical Q, Q_m , without additional mass	26 -
X_{max} (mechanical limits)	+/- 30 [mm]
Total unit net weight (incl. 3 extra weights)	1.2 [kg]

OUTLINE DRAWING AND NOMINAL DIMENSIONS (mm)



PACKAGING INFORMATION

Part no. PR263WA01-01	Individual packaging (one piece per box)
-----------------------	--