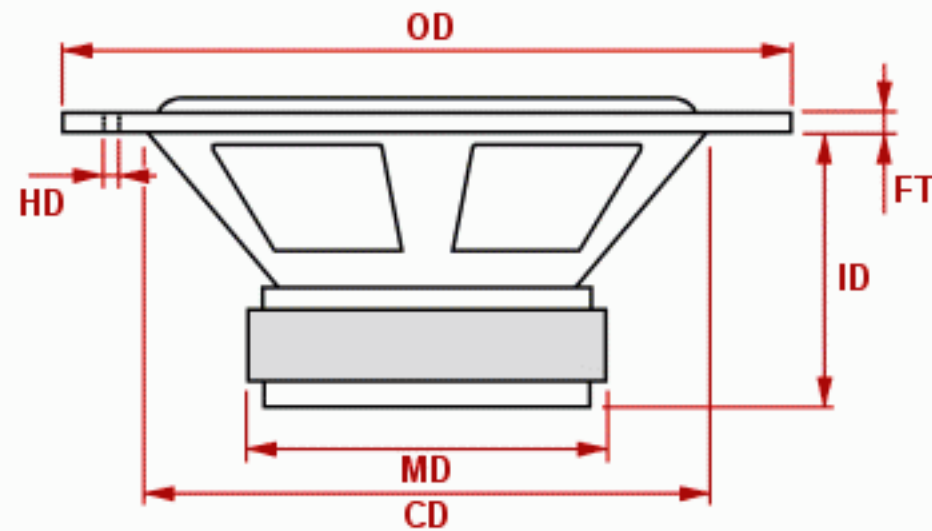


# XT18W009-08



OD: 180 mm      CD: 147 mm  
 FT: 1.7 mm      ID: -  
 MD: -            HD: 6x $\phi$ 5.2@ $\phi$ 163



Nominal impedance [ohm]	8
Voice coil resistance [ohm]	5.8
Nominal power [W]	-
Short term max power [W]	-
Long term max power [W]	-
Operating power [W]	-
Sensitivity [dB]	88
Frequency range [Hz]	-
Free air resonance [Hz]	38
Voice coil diameter [mm]	25
Voice coil height [mm]	14
Air gap height [mm]	5
Voice coil inductance [mH]	0.54
Eff. diaphragm Area [cm <sup>2</sup> ]	129
Moving mass [g]	11.1
Magnet weight [g]/[oz]	-
Force factor [Bl]	6.2
VAS [l]	38
Q <sub>ms</sub>	5.87
Q <sub>es</sub>	0.39
Q <sub>ts</sub>	0.37

## SPECIAL FEATURES:

Airflow optimized  
 low distortion  
 magnet system

Phase-integrated  
 dustcap

Wood-fibre cone  
 and dustcap

Low Resonance  
 Multi-roll surround

High density, low  
 resonance, airflow  
 optimized chassis

Optimized for 8-16 ltr.  
 reflex enclosures

