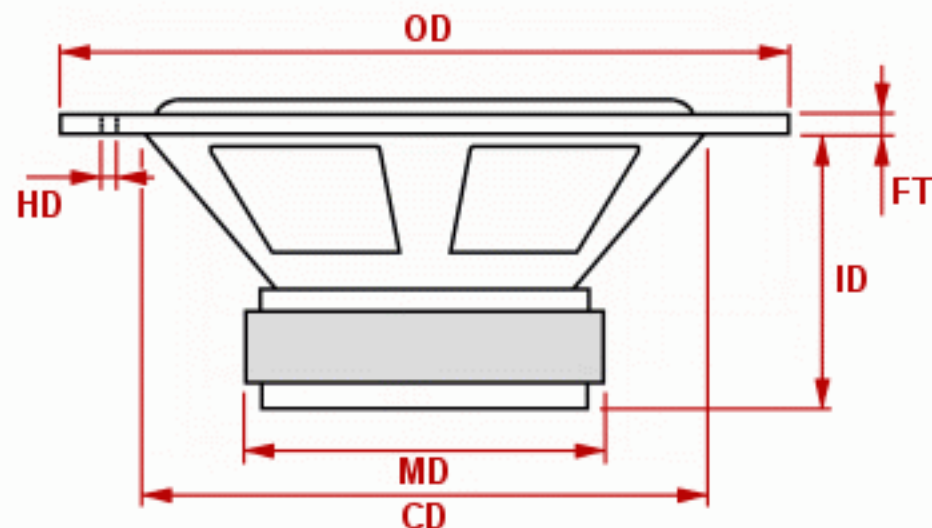


XG18WH00-08



OD: 180 mm CD: 147 mm
 FT: 1.7 mm ID: 76 mm
 MD: 91.8 mm HD: 6x ϕ 5.2@ ϕ 163



Nominal impedance [ohm]	8
Voice coil resistance [ohm]	5.7
Nominal power [W]	-
Short term max power [W]	-
Long term max power [W]	-
Operating power [W]	-
Sensitivity [dB]	86
Frequency range [Hz]	-
Free air resonance [Hz]	34
Voice coil diameter [mm]	25
Voice coil height [mm]	14
Air gap height [mm]	4
Voice coil inductance [mH]	0.53
Eff. diaphragm Area [cm ²]	129
Moving mass [g]	11.8
Magnet weight [g]/[oz]	-
Force factor [Bl]	5.6
VAS [l]	45
Q _{ms}	1.77
Q _{es}	0.46
Q _{ts}	0.36

SPECIAL FEATURES:

Airflow optimized
 low distortion
 magnet system

Phase-integrated
 dustcap

Glass-fibre cone
 and dustcap

Low Resonance
 Multi-roll surround

High density, low
 resonance, airflow
 optimized chassis

Optimized for 8-14 ltr.
 reflex enclosures

