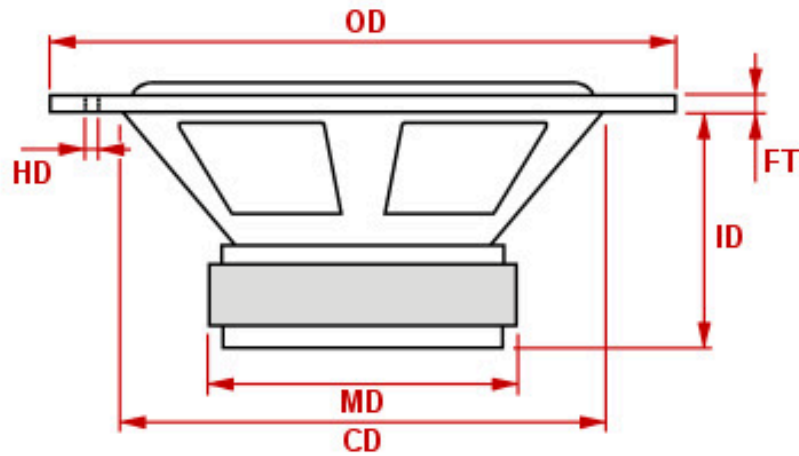


# TC14WG69-08



**OD:** 149mm (+/-0.5)      **CD:** max 113.5mm  
**FT:** 4.5mm      **ID:** max 62.8mm  
**MD:** max 73.5mm (+/-0.15)      **HD:**

Nominal impedance [ohm]	8
Voice coil resistance [ohm]	5.5
Nominal power [W]	35
Short term max power [W]	110
Long term max power [W]	110
Operating power [W]	9.5
Sensitivity [dB]	86
Frequency range [Hz]	52-4000
Free air resonance [Hz]	52
Voice coil diameter [mm]	25
Voice coil height [mm]	10
Air gap height [mm]	4
Voice coil inductance [mH]	0.65
Eff. diaphragm Area [cm <sup>2</sup> ]	80
Moving mass [g]	7.0
Magnet weight [g]/[oz]	240/8.
Force factor [Bl]	5      5.1
Qms	12      2.
Qes	86      0.48
Qts	0.41

## SPECIAL FEATURES:

- NRSC cone
- High linearity
- low-loss suspension
- NR rubber surround
- Moulded fibre reinforced polymer-chassis
- Vented magnet system



## SPL [dB]

