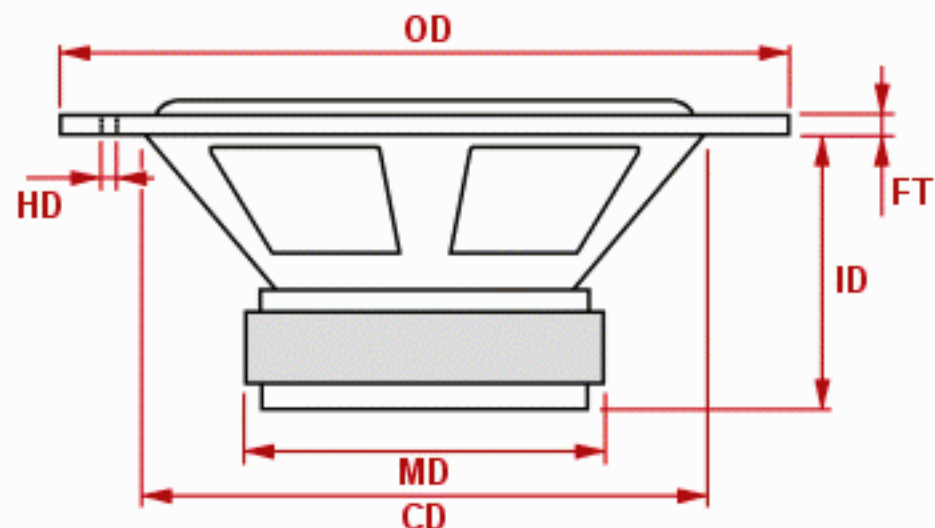


## PL18W009-08



OD: 180 mm      CD: 145 mm  
FT: 5 mm        ID: -  
MD: -            HD: -



|   |          | Special features                  |
|---|----------|-----------------------------------|
| Nominal impedance                         | 8        | Magnesium basket                  |
| Voice coil resistance                     | 5.8      | NR-surround                       |
| Nominal power [W]                         | 100      | NRSC-cone                         |
| Short term max power [W]                  | 400      | Wide, low damping rubber surround |
| Long term max power [W]                   | 300      | Large diameter voice coils        |
| Operating power [W]                       | 8        |                                   |
| Sensitivity [dB]                          | 87       |                                   |
| Frequency range [kHz]                     | 40-4000  |                                   |
| Free air resonance [Hz]                   | 38       |                                   |
| Voice coil diameter [mm]                  | 40       |                                   |
| Voice coil height [mm]                    | 14       |                                   |
| Air gap height [mm]                       | 6        |                                   |
| Voice coil inductance [mH]                | 0.85     |                                   |
| Effective diaphr. Area [cm <sup>2</sup> ] | 132      |                                   |
| Moving mass [g]                           | 17.5     |                                   |
| Magnet weight [g]/[oz]                    | 700/24.7 |                                   |
| Force factor, BL                          | 7.8      |                                   |
| Uas [l]                                   | 25       |                                   |
| Qms                                       | 2.46     |                                   |
| Qes                                       | 0.40     |                                   |
| Qts                                       | 0.34     |                                   |

