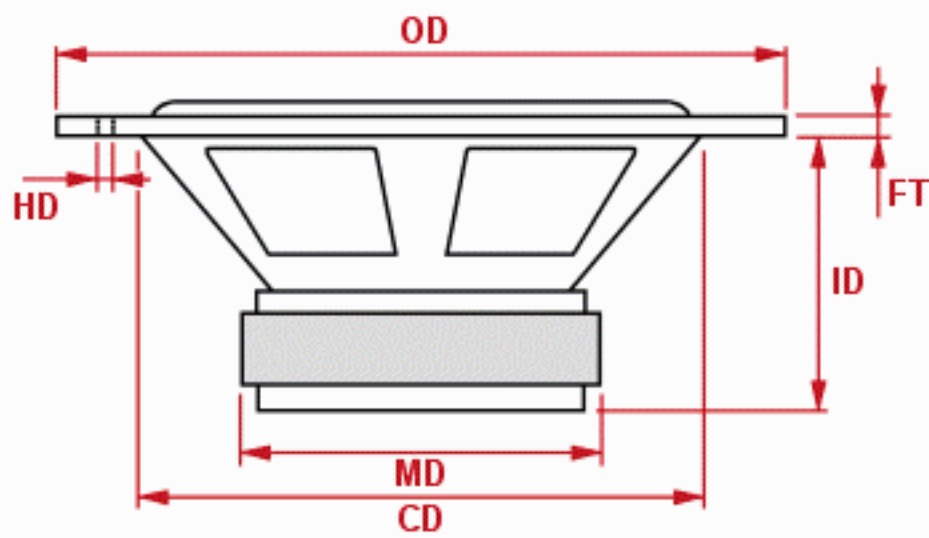


# P13WH-00-08



OD: 140 mm      CD: 115 mm  
 FT: 4 mm        ID: 60.5 mm  
 MD: 91.8 mm    HD: 4x $\phi$ 5.1@ $\phi$ 132



Nominal impedance [ohm]	8
Voice coil resistance [ohm]	5.7
Nominal power [W]	40
Short term max power [W]	-
Long term max power [W]	-
Operating power [W]	6.3
Sensitivity [dB]	88
Frequency range [Hz]	60-5000
Free air resonance [Hz]	60
Voice coil diameter [mm]	25
Voice coil height [mm]	14
Air gap height [mm]	6
Voice coil inductance [mH]	0.7
Eff. diaphragm Area [cm <sup>2</sup> ]	86
Moving mass [g]	7.5
Magnet weight [g]/[oz]	415/14.6
Force factor [Bl]	6.0
VAS [l]	10
Q <sub>ms</sub>	1.38
Q <sub>es</sub>	0.43
Q <sub>ts</sub>	0.33

- SPECIAL FEATURES:**
- Mineral filled polycone
  - High damping rubber surround
  - Smooth roll off
  - Optimized off axis response
  - Neutral midrange reproduction
  - Vented through V.C. former and pole piece

