



LCD Monitor Desk Mount Instruction Manual

IMPORTANT!

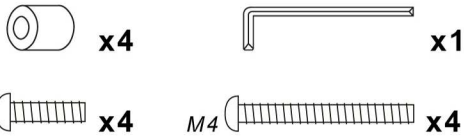
- This mount is designed for LCD monitors that are VESA 75 or VESA 100 compliant. Check the specifications of your display to make sure it is compatible with this mount before attempting to install it.
- Check the contents of your hardware kit to make sure all hardware have been supplied.
- This mount is designed for LCD monitors and TVs up to 24" in size weighing up to 15 kg. Using a larger or heavier display with this mount may result in injury or property damage.

 **MAXIMUM LOAD**
15 KG

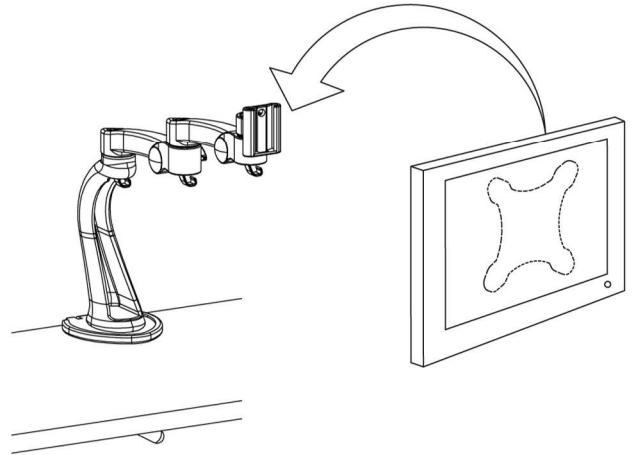
SUREFIX 710

MERKEZ MAH. SILE YOLU UZERI GUZLE IS MERKEZI 34782 CEKMEKOY / ISTANBUL / TURKEY - TEL: +90 216 640 16 16 - FAX: +90 216 640 02 55

HARDWARE KIT

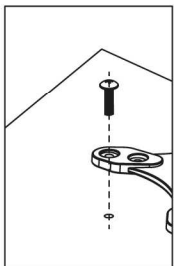


1) Attach the mount to your desk or table by turning the handle clockwise. Make sure the clamp is tight, but be careful not to overtighten it. The maximum clearance for the clamp is 80 mm.

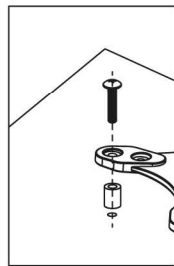


3) To complete the installation, simply slide the tv plate with your display attached into the Mount.

2) Attach your LCD monitor to the mount using the hardware provided.



Displays with flat backs.



Displays with curved or recessed backs.

4) If too loose or too tight.

