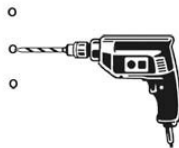
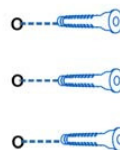


Level the mount and mark.

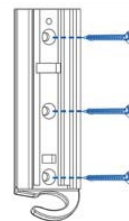


Drill the mounting holes.

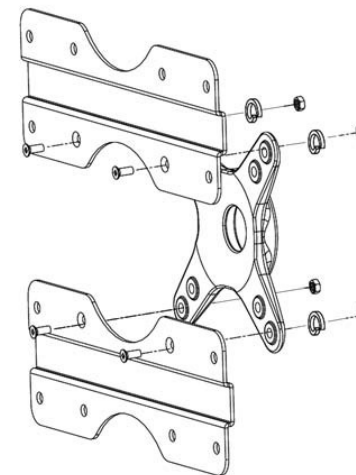


Insert the wall anchors* to the wall and tap them flush with a hammer.

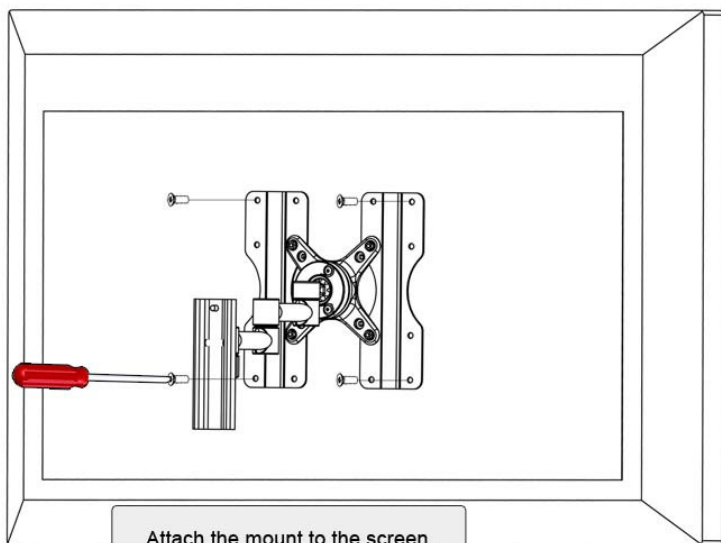
* Never use wall anchors on drywall



Fix the plate to the wall.

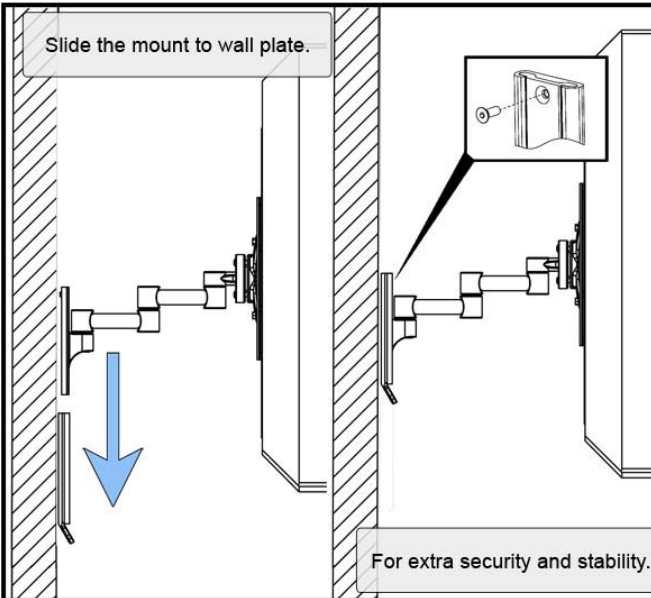


Attach the extensions to the base if needed.



Attach the mount to the screen.

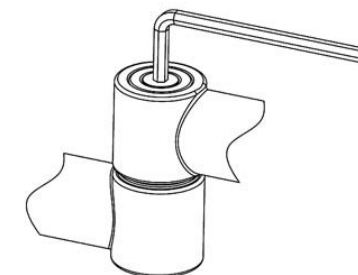
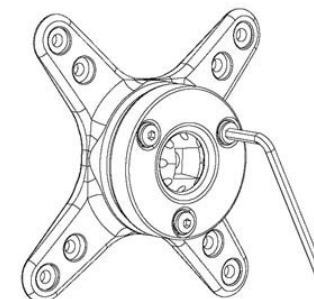
Slide the mount to wall plate.



For extra security and stability.

ROTATE & TILT

SWIVEL

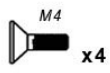


If too loose or too tight.

HARDWARE KIT



x3



x4



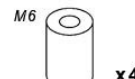
x4



x4



x4



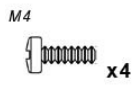
x4



x3



x4



x4



x4



x4



x1

