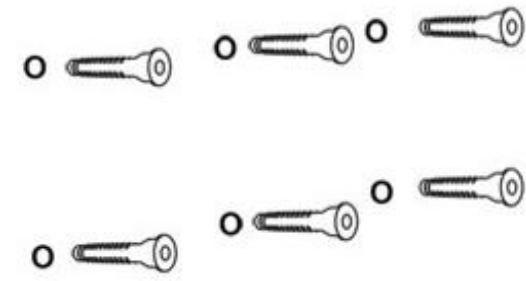


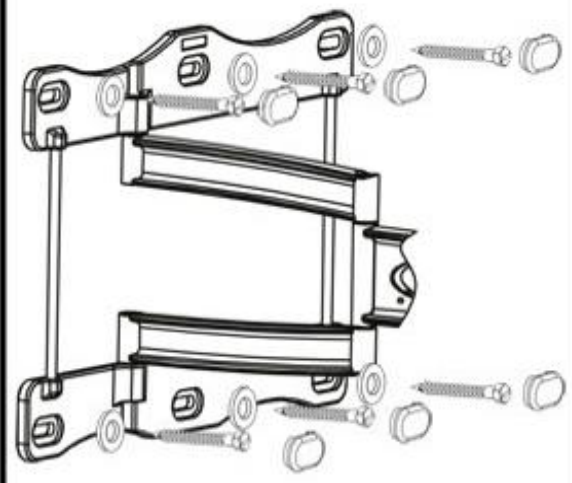
Make sure it is level  
Use a pen to mark of the locations



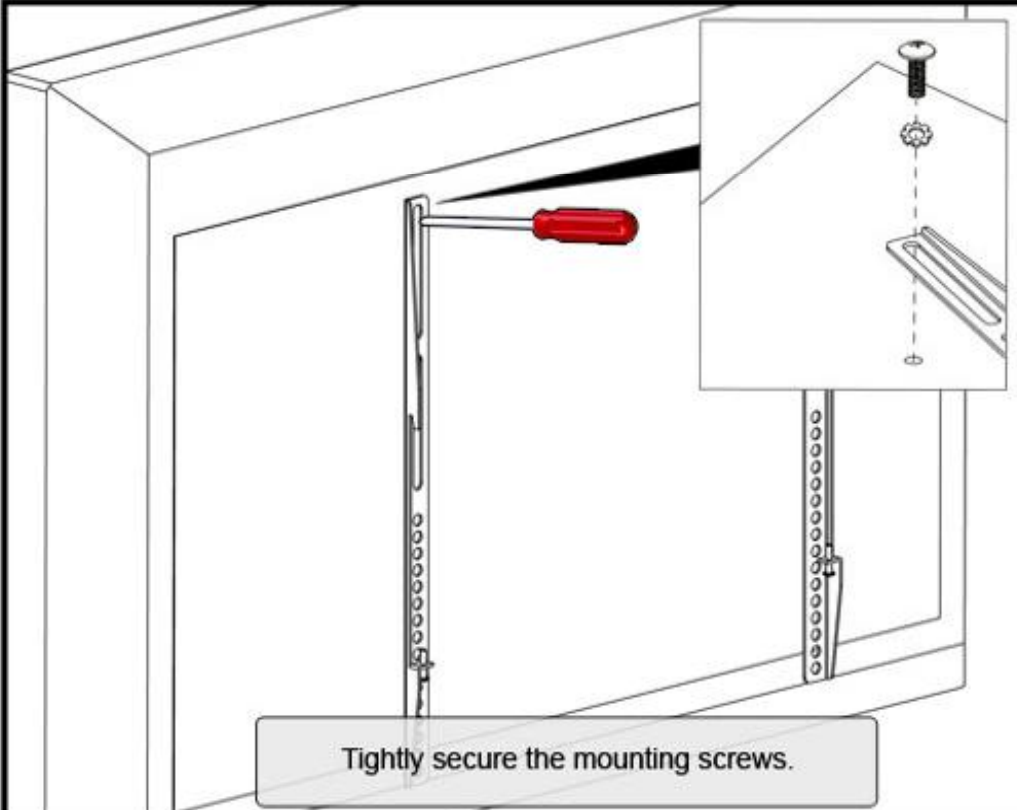
Drill the mounting holes.



Insert the wall anchors\* to the wall and tap them flush with a hammer.  
\* Never use wall anchors on drywall

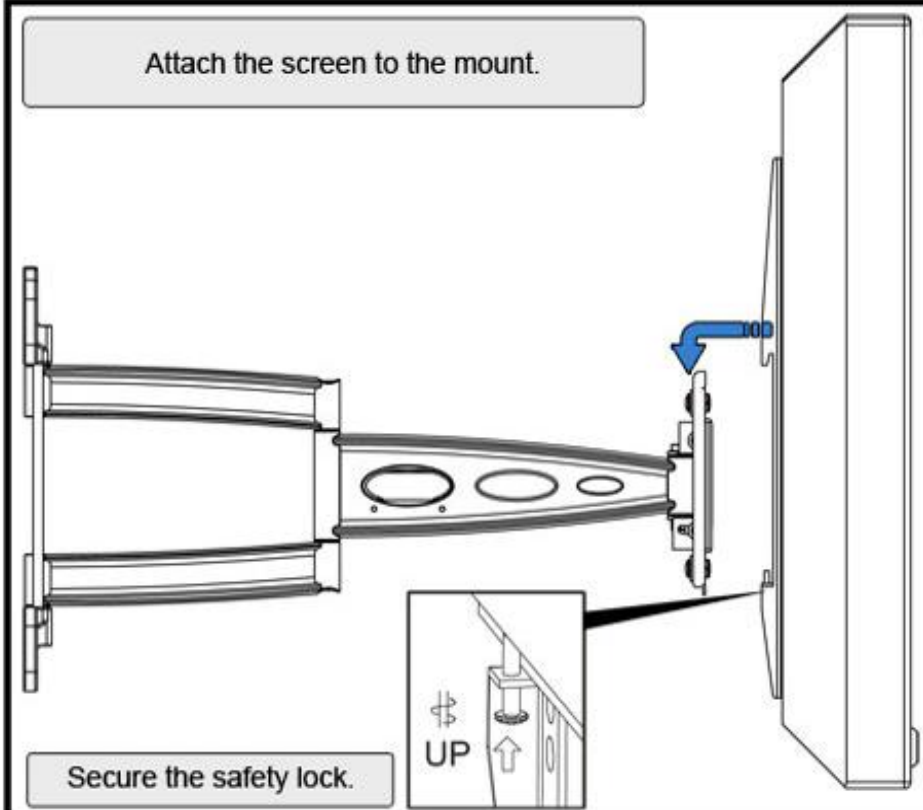


Fix the plate to the wall.

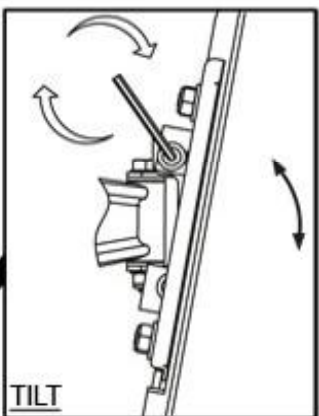


Tightly secure the mounting screws.

Attach the screen to the mount.



Secure the safety lock.



If too loose or too tight.

**HARDWARE KIT**

