



MAXIMUM LOAD 30 KG

ASSEMBLY INSTRUCTIONS
MONTAGE ANLEITUNG
MONTAJ TALIMATI
ISTRUZIONI DI MONTAGGIO
INSTRUÇÕES DE ASSEMBLÉIA
ИНСТРУКЦИЯ ПО СБОРКЕ

SUREFIX 420

MERKEZ MAH. SILE YOLU UZERI GUZLE IS MERKEZI 34782 CEKMEKÖY / ISTANBUL / TURKEY - TEL: +90 216 640 16 16 - FAX: +90 216 640 02 55

TR GARANTI ŞARTLARI
İMALATÇI FIRMA GARANTİ BELGESİ
ATIL ELEKTRONİK LTD. ŞTİ.
İMALATÇI FIRMA GARANTİ BELGESİ

I ATTENZIONE IL PRODOTTO DEVE ESSERE MONTATO CORRETTAMENTE.
IL FABBRICANTE NON SARÀ RESPONSABILE PER PRODOTTI MONTATI IN MODO NON CORRETTO.
Ci complimentiamo e Vi ringraziamo per aver acquistato un prodotto Sonorous Surefix. Per ottenere le massime prestazioni dal vostro acquisto...

FR ATTENTION! UN MONTAGE CORRECT EST ESSENTIEL.
DANS LE CAS D'UN MONTAGE NON CONFORME AVEC LES INSTRUCTIONS FOURNIES LA RESPONSABILITE DU FABRICANT NE PEUT ÊTRE ENGAGÉE.
Merci de votre achat d'un produit Sonorous Surefix. En suivant les instructions de ce manuel vous obtiendrez les performances maximales.

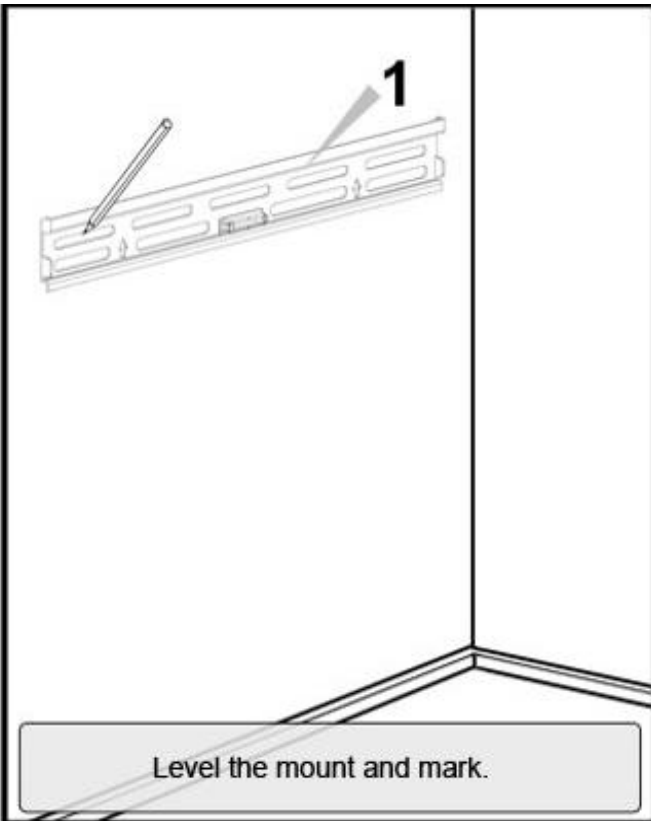
P Atenção! Uma correcta montagem é essencial.
Uma má montagem dos produtos retira toda a responsabilidade do fabricante.
Obrigado pela sua compra do produto Surefix da Sonorous. Ao seguir as instruções deste manual permitirá-lhe obter o desempenho máximo.

RU Внимание! Правильная сборка изделия чрезвычайно важна для его безопасной эксплуатации.
Производитель не несет ответственности за падение изделия в силу несоблюдения пользователем правил сборки и установки, изложенных в данной инструкции.

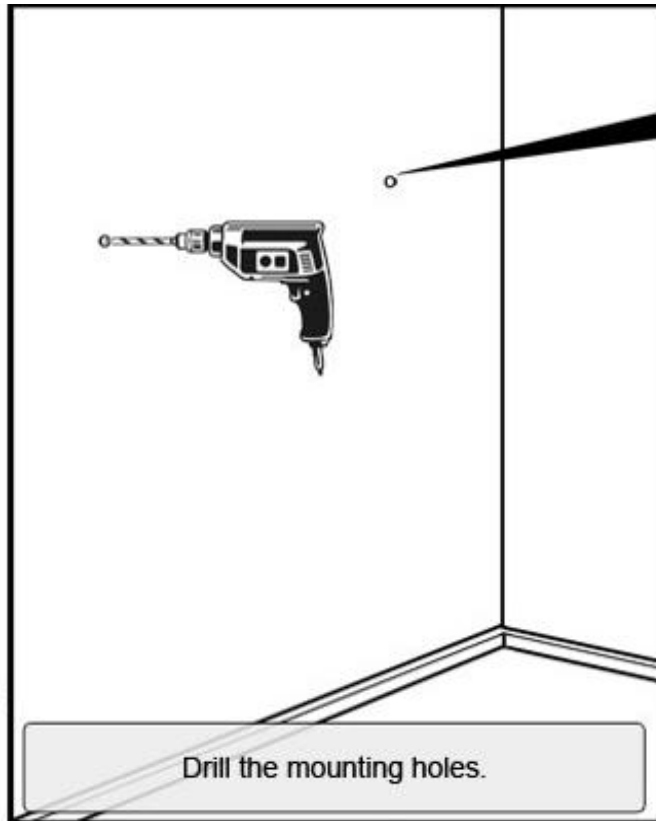
F اذکار و ایست ریور و ایست ریور
این محصول را فقط برای نصب بر روی دیوارهای سیمانی، بتن، آجر و سنگ استفاده کنید.
این محصول را فقط برای نصب بر روی دیوارهای سیمانی، بتن، آجر و سنگ استفاده کنید.

GB WARNING! CORRECT ASSEMBLY IS ESSENTIAL.
MISASSEMBLED PRODUCTS FALL OUTSIDE THE RESPONSIBILITY OF THE MANUFACTURER.
Thank you for your purchase of Sonorous Surefix product. Following the instructions in this manual will enable you to obtain maximum performance.

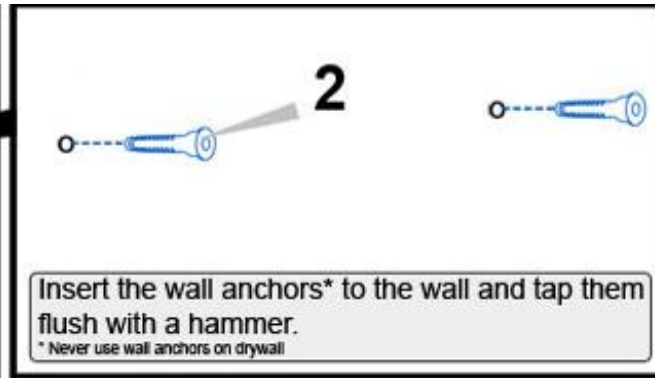
D ACHTUNG! DIE RICHTIGE MONTAGE DES PRODUKTS IST VORAUSSETZUNG DAFÜR, DASS DER HERSTELLER IRGENDWELCHE HAFTUNG ÜBERNIMMT.
Danke für Ihren Kauf eines Sonorous Surefix-Produkts. Um dieses optimal nutzen zu können, befolgen Sie bitte die Anweisungen in dieser Anleitung.



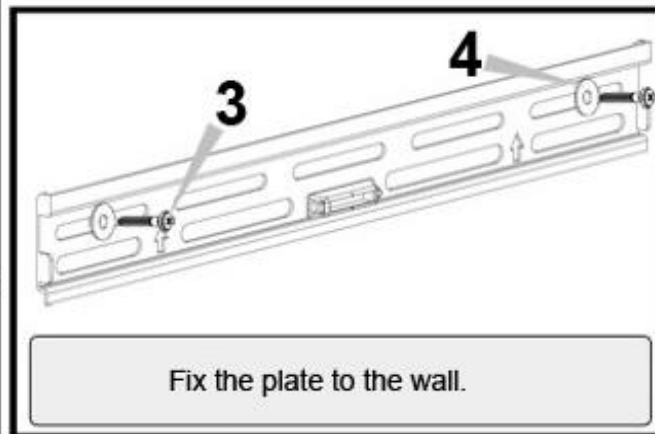
Level the mount and mark.



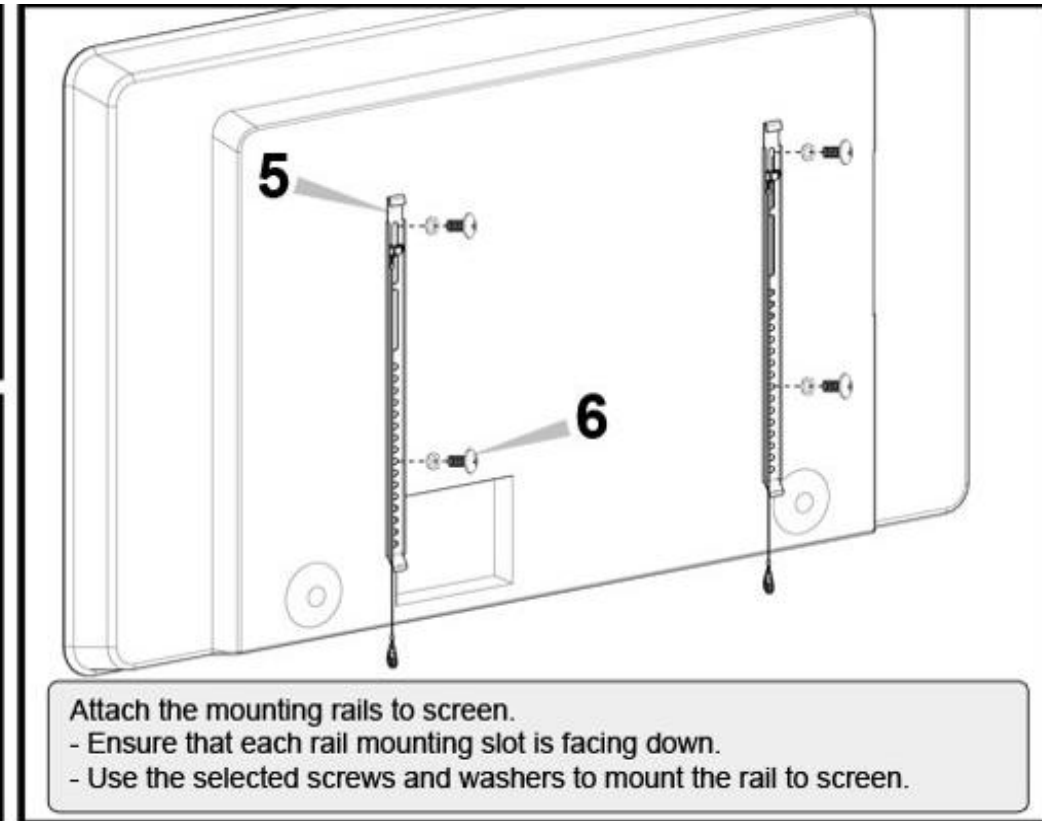
Drill the mounting holes.



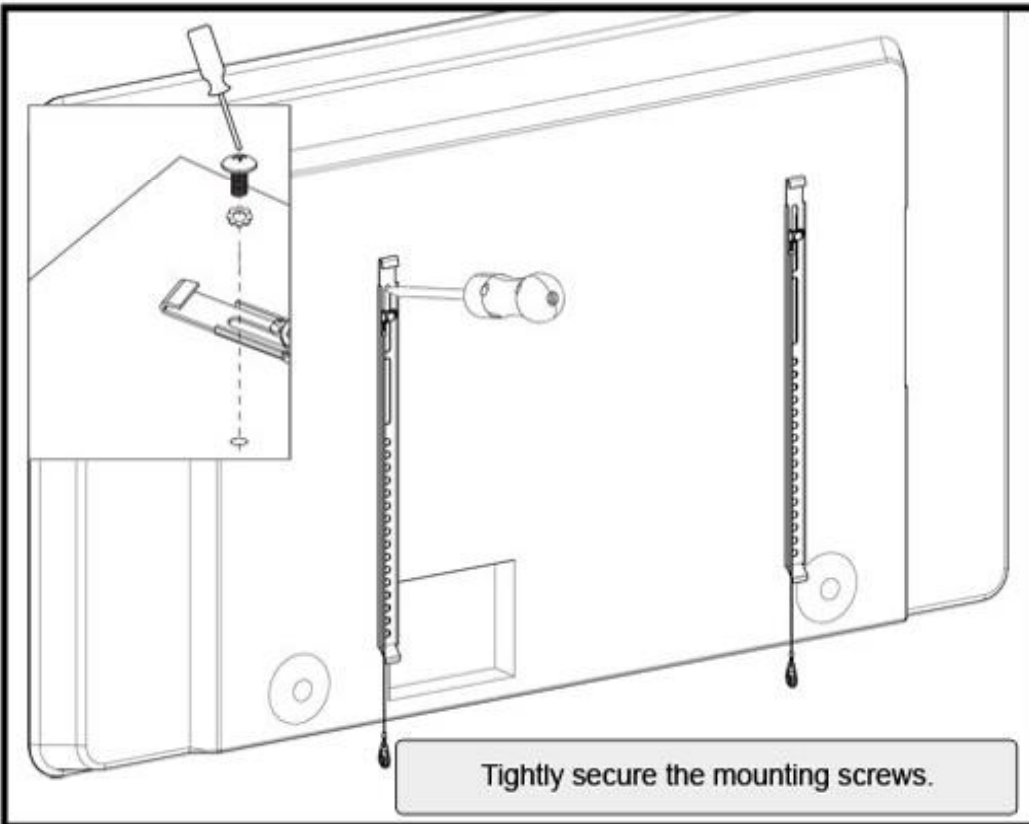
Insert the wall anchors* to the wall and tap them flush with a hammer.
* Never use wall anchors on drywall



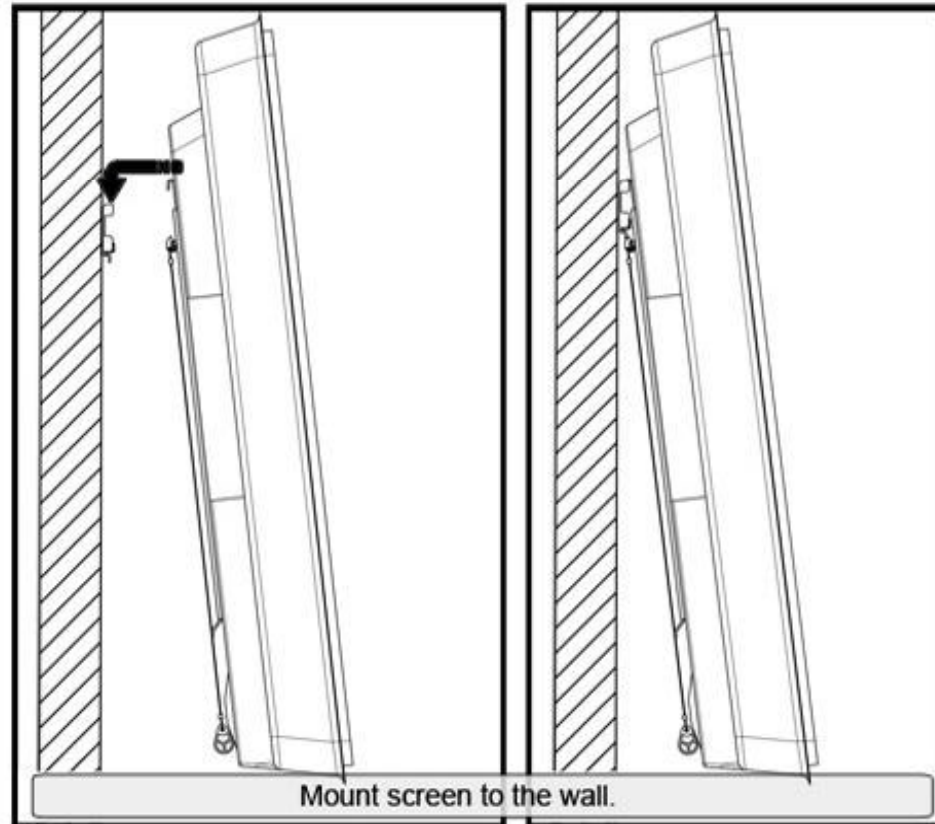
Fix the plate to the wall.



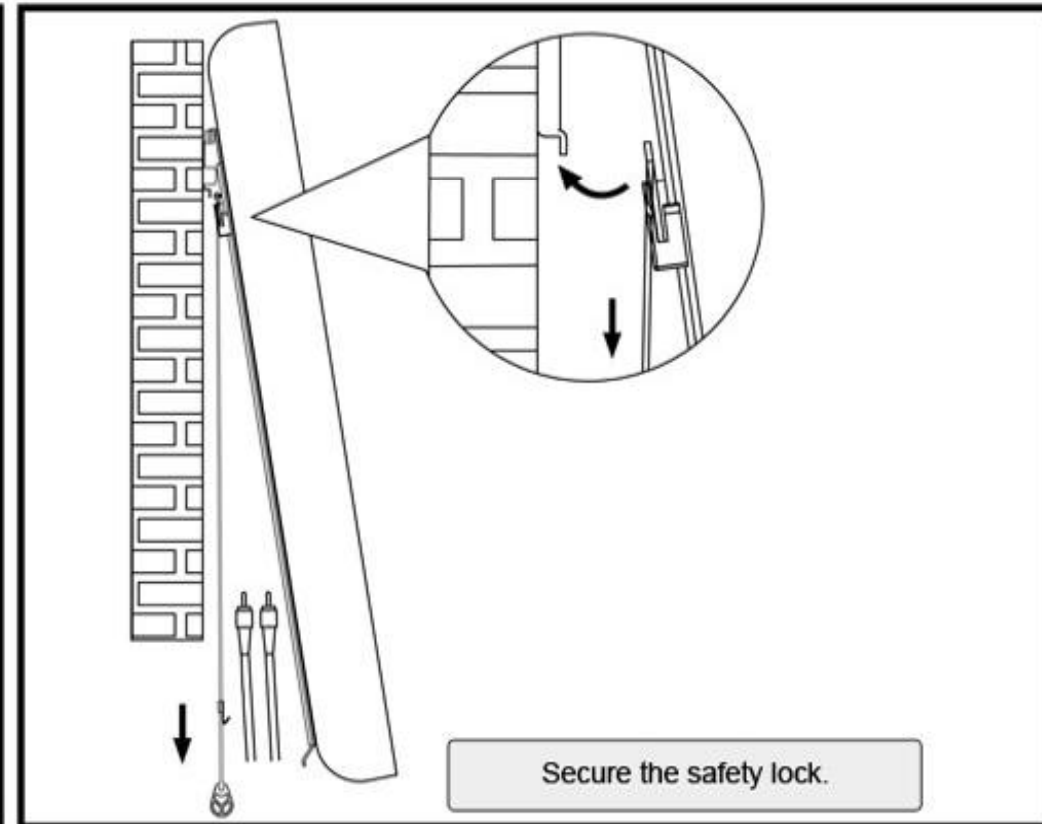
Attach the mounting rails to screen.
- Ensure that each rail mounting slot is facing down.
- Use the selected screws and washers to mount the rail to screen.



Tightly secure the mounting screws.



Mount screen to the wall.



Secure the safety lock.

