



Sonance Symphony®
S625TR Speaker



Sonance Symphony® Series

TR & TSQ-Series In-Ceiling Speakers

Sonance Symphony® in-ceiling speakers establish the benchmark for quality, performance and versatility. Incorporating high-quality driver materials and precision engineering that deliver impressive audio performance, Sonance Symphony in-ceiling speakers are ideal for distributed audio, multi-channel home theater and stereo music applications.

The fully-pivoting woofer assembly and pivoting tweeter direct sound for maximum performance, even with less-than-ideal placement. With a choice of round (-TR) or square (-TSQ) footprints that let them practically disappear into the décor, Sonance Symphony in-ceiling speakers bring high-quality entertainment to life anywhere in the home while effortlessly integrating into almost any lifestyle.

Features:

- **Ideal for use in multi-channel home theater, stereo music and distributed audio systems.**
- **Round (-TR) and square (-TSQ) footprints provide installation flexibility to compliment a wide variety of décor.**
- **Fully-pivoting woofers and pivoting tweeters direct the sound at listeners for clear sound and improved stereo imaging even when speaker placement options are limited.**
- **Advanced woofer cone materials produce robust, low-distortion bass in a small footprint that increases installation options.**
- **A unique tweeter acoustic back chamber widens and smooths high-frequency performance for crystal-clear, natural sound.**
- **A 3-position tweeter adjustment switch lets you balance the speaker's high-frequency energy to better compliment the room's setup and acoustics (S625TR/S624TR/S623TR/S623TSQ).**
- **The RotoLock® mounting system makes installation quick and easy.**
- **Exclusive new FastMount® tabs hold speaker in the mounting hole during installation, allowing installer to let go of the speaker to pick-up tools or other items.**

Specifications:

S625TR

Tweeter:	1" (25mm) Beryllium dome, Ferrofluid-cooled, pivoting
Woofer:	6½" (165mm) Beryllium cone, rubber surround, pivoting
Frequency Response:	40Hz – 20kHz ±3dB
Impedance:	6 Ohms nominal; 4 Ohms minimum
Power Handling:	5 watts minimum; 150 Watts maximum
Sensitivity:	90dB SPL (2.83V 1 meter)
Grille Material:	Perforated aluminum
Adjustments:	±3dB Tweeter level
Dimensions (Dia. x Depth):	9¾" (248mm) x 5 ³ / ₁₆ " (132mm)
Cutout Diameter:	8 ⁵ / ₃₂ " (207mm)
Shipping Weight:	12 lbs. (5.45kg) Pair

S624TR

Tweeter:	1" (25mm) Aluminum dome, Ferrofluid-cooled, pivoting
Woofer:	6½" (165mm) Coated carbon fiber cone, rubber surround, pivoting
Frequency Response:	43Hz – 20kHz ± 3dB
Impedance:	6 Ohms nominal; 4 Ohms minimum
Power Handling:	5 watts minimum; 140 Watts maximum
Sensitivity:	90dB SPL (2.83V 1 meter)
Grille Material:	Perforated aluminum
Adjustments:	±3dB Tweeter level
Dimensions (Dia. x Depth):	9¾" (248mm) x 5 ³ / ₁₆ " (132mm)
Cutout Diameter:	8 ⁵ / ₃₂ " (207mm)
Shipping Weight:	11 lbs. (5.0kg) Pair

S623TR

Tweeter:	1" (25mm) Silk dome, Ferrofluid-cooled, pivoting
Woofer:	6½" (165mm) Carbon fiber cone, rubber surround, pivoting
Frequency Response:	43Hz – 20kHz ±3dB
Impedance:	8 Ohms nominal; 6 Ohms minimum
Power Handling:	5 watts minimum; 135 Watts maximum
Sensitivity:	90dB SPL (2.83V 1 meter)
Grille Material:	Perforated aluminum
Adjustments:	±3dB Tweeter level
Dimensions (Dia. x Depth):	9¾" (248mm) x 5 ³ / ₁₆ " (132mm)
Cutout Diameter:	8 ⁵ / ₃₂ " (207mm)
Shipping Weight:	10 lbs. (4.5kg) Pair

(continued on rear)

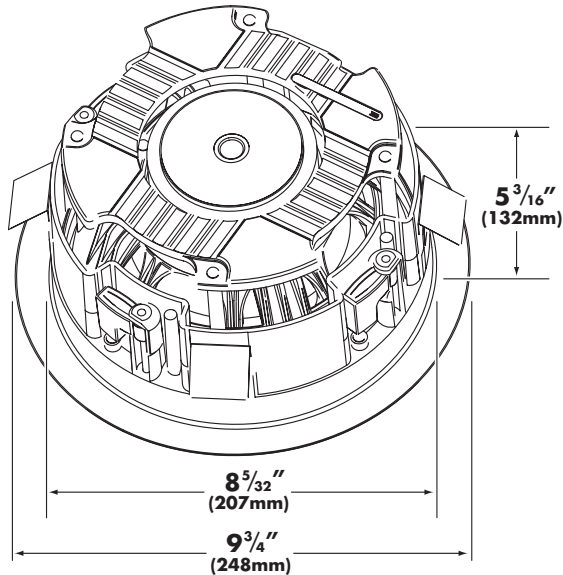
Sonance Symphony® Series

TR & TSQ-Series In-Ceiling Speakers

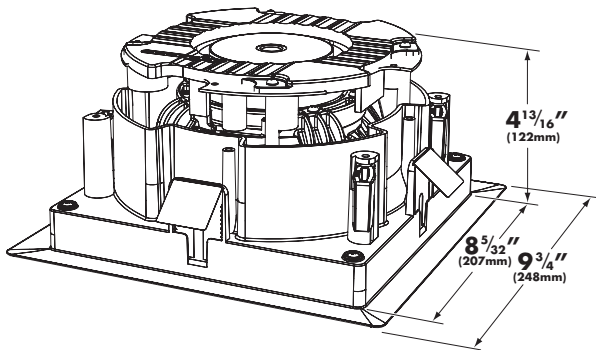


Dimensions

Symphony TR-Series Speakers:



Symphony S623TSQ:



SONANCE

212 Avenida Fabricante

San Clemente, CA 92672-7531 USA

(800) 582-7777 or (949) 492-7777

FAX: (949) 361-5151

Technical Support: (800) 582-0772

WWW.SONANCE.COM

Specifications (continued from front):

S622TR

Tweeter:	1" (25mm) Silk dome, Ferrofluid-cooled, pivoting
Woofer:	6½" (165mm) Polypropylene cone, rubber surround, pivoting
Frequency Response:	45Hz – 20kHz ±3dB
Impedance:	8 Ohms nominal; 6 Ohms minimum
Power Handling:	5 watts minimum; 125 Watts maximum
Sensitivity:	89dB SPL (2.83V 1 meter)
Grille Material:	Perforated aluminum
Adjustments:	None
Dimensions (Dia. x Depth):	9¾" (248mm) x 5⅜" (132mm)
Cutout Diameter:	8⅝" (207mm)
Shipping Weight:	10 lbs. (4.5kg) Pair

S621TR

Tweeter:	¾" (19mm) Silk dome, Ferrofluid-cooled
Woofer:	6½" (165mm) Polypropylene cone, rubber surround, pivoting
Frequency Response:	50Hz – 20kHz ±3dB
Impedance:	8 Ohms nominal; 6 Ohms minimum
Power Handling:	5 watts minimum; 100 Watts maximum
Sensitivity:	88dB SPL (2.83V 1 meter)
Grille Material:	Perforated aluminum
Adjustments:	None
Dimensions (Dia. x Depth):	9¾" (248mm) x 5⅜" (132mm)
Cutout Diameter:	8⅝" (207mm)
Shipping Weight:	9 lbs. (4.1kg) Pair

S623TSQ

Tweeter:	1" (25mm) Silk dome, Ferrofluid-cooled, pivoting
Woofer:	6½" (165mm) Carbon fiber cone, rubber surround, pivoting
Frequency Response:	43Hz – 20kHz ±3dB
Impedance:	8 Ohms nominal; 6 Ohms minimum
Power Handling:	5 watts minimum; 135 Watts maximum
Sensitivity:	90dB SPL (2.83V 1 meter)
Grille Material:	Perforated aluminum
Adjustments:	±3dB Tweeter level
Dimensions (W x H x D):	9¾" x 9¾" x 4⅜" (248mm x 248mm x 122mm)
Cutout Dimensions (W x H):	8⅝" x 8⅝" (207mm x 207mm)
Shipping Weight:	10 lbs. (4.5kg) Pair

©2006 Sonance, All Rights Reserved. Sonance, Sonance Symphony, FastMount and RotoLock are trademarks or registered trademarks of Dana Innovations. Due to continuous product improvement, all features and specifications are subject to change without notice.

For the latest Sonance product information go to:

www.sonance.com