

1.1" - 120W Dome Tweeter

LP 43.28/N20 TW 8 Ω

Code Z008983

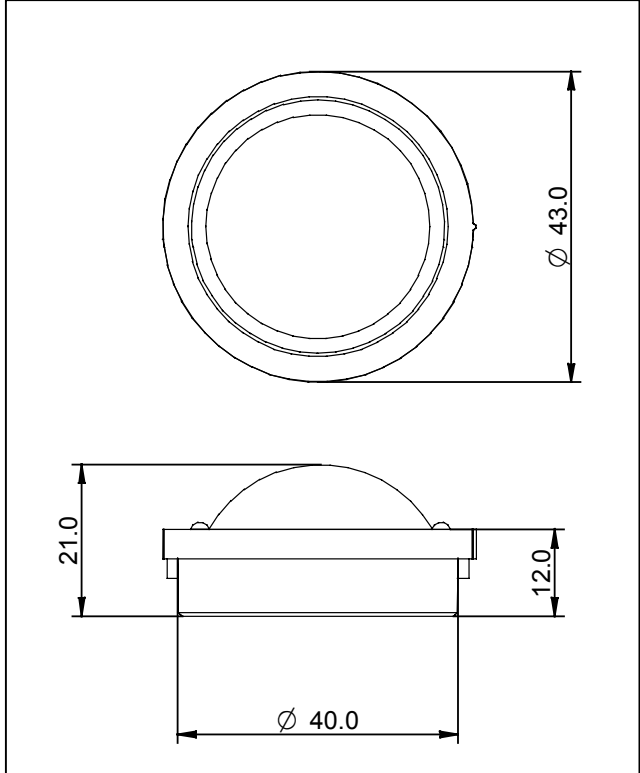
GENERAL CHARACTERISTICS		
Nominal Overall Diameter	43	mm
Nominal Voice Coil Diameter	28	mm
Magnet Weight	20	g
Flux Density.....	1.37	T
Weight.....	0.08	Kg

THIELE-SMALL PARAMETERS			
Voice Coil DC Resistance	R_E	6.00	Ω
Resonance Frequency	f_s	1300	Hz

CONSTRUCTIVE CHARACTERISTICS	
Magnet.....	Neodymium
Voice Coil Winding.....	Aluminium Flat Wire
Voice Coil Former.....	Aluminium
Voice Coil Winding Height.....	2.7mm
Dome Material.....	Treated Silk
Flange	ABS
Air Gap Height.....	2.0mm
Ferrofluid in Air Gap	Yes

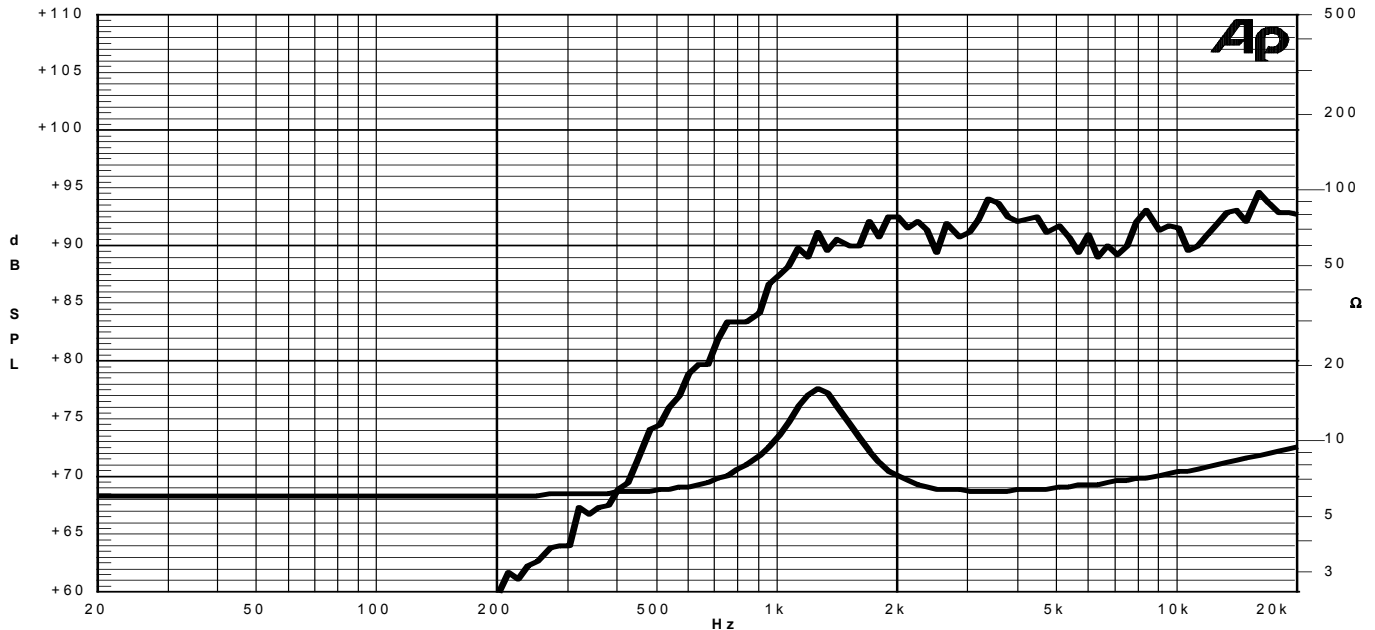
NOTES

ELECTRICAL CHARACTERISTICS		
Nominal Impedance.....	8	Ω
Musical Power	120	W
Rated Power*	60	W
Sensitivity @ 1 W, 1 m	91.7	dB



*rated power measured with 2 hours test with continuous pink noise signal, 6 dB crest factor, HP filter 4.5kHz-12dB/Oct

Frequency Response on IEC Baffle (DIN 45575) @ 1 W, 1 m - Impedance



Due to continuing product improvement, the features and the design are subject to change without notice.

24/05/10