

GENERAL CHARACTERISTICS

Nominal Overall Diameter	31	mm
Nominal Voice Coil Diameter	13	mm
Magnet Weight	2	g
Flux Density.....	0.80	T
Weight.....	0.02	Kg

THIELE-SMALL PARAMETERS

Voice Coil DC Resistance	R_E	3.00	Ω
Resonance Frequency	f_s	3300	Hz
Voice Coil Inductance @ 1kHz	L_E	0.14	mH

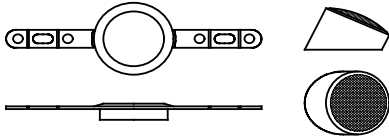
CONSTRUCTIVE CHARACTERISTICS

Magnet.....	Neodymium
Voice Coil Winding.....	Copper
Voice Coil Former.....	Epotex
Voice Coil Winding Height.....	1.80mm
Dome Material.....	Macrofol
Flange	Plastic
Air Gap Height.....	1.50mm
Ferrofluid in Air Gap	Yes

NOTES

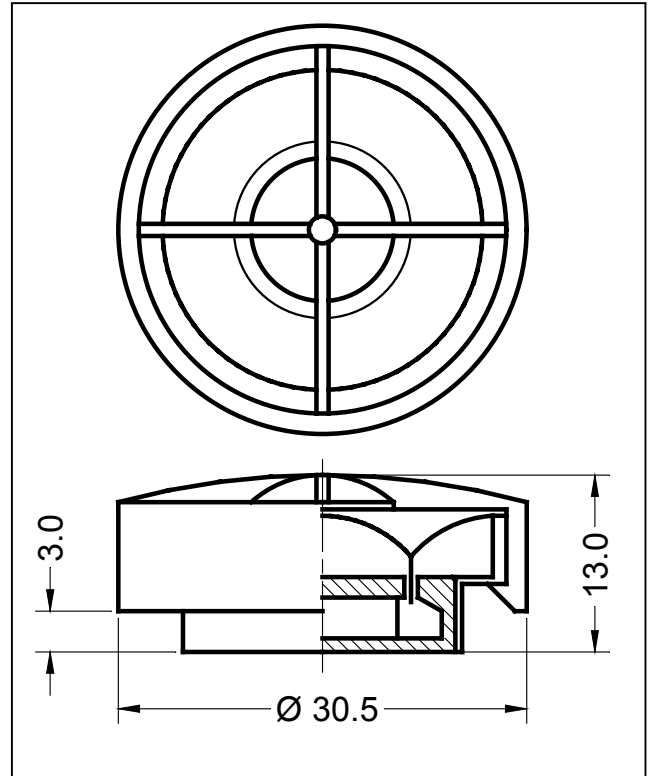
Loudspeaker supplied with:

1. 6 dB/oct. crossover - $f_c = 5000$ Hz
2. pressed sheet steel grills
3. accessories for car installation



ELECTRICAL CHARACTERISTICS

Nominal Impedance.....	4	Ω
Musical Power	40	W
Rated Power*	20	W
Sensitivity @ 1 W, 1 m	91.0	dB



*rated power measured with 2 hours test with continuous pink noise signal, 6 dB crest factor, HP filter 4.5kHz-12dB/Oct

Free Air Frequency Response @ 1 W, 1 m - Impedance

