

1" - 40W Tweeter

LP 13 /N2 TW INDUSTRIA 4 Ω

Code Z008560

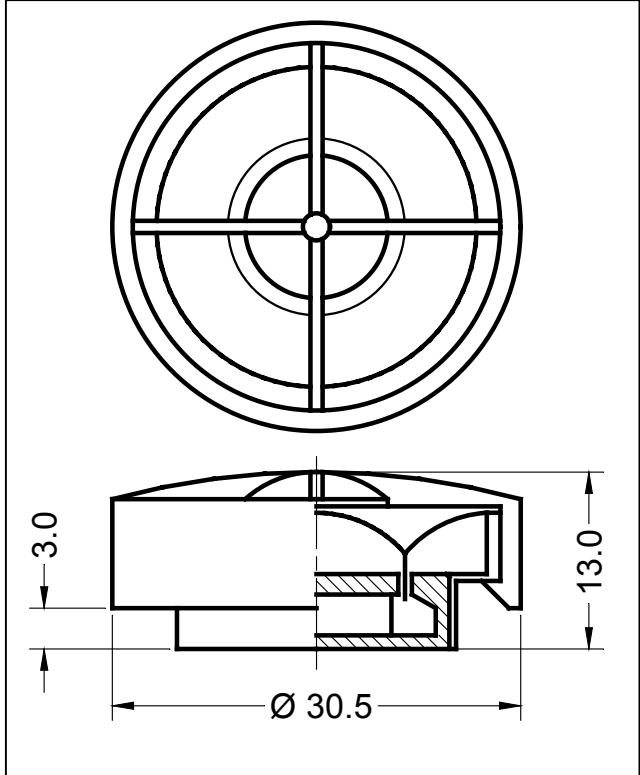
GENERAL CHARACTERISTICS		
Nominal Overall Diameter	31	mm
Nominal Voice Coil Diameter	13	mm
Magnet Weight	2	g
Flux Density.....	0.80	T
Weight.....	0.02	Kg

THIELE-SMALL PARAMETERS		
Voice Coil DC Resistance	R_E	3.00 Ω
Resonance Frequency	f_s	3300 Hz
Voice Coil Inductance @ 1kHz	L_E	0.14 mH

CONSTRUCTIVE CHARACTERISTICS	
Magnet.....	Neodymium
Voice Coil Winding.....	Copper
Voice Coil Former.....	Epotex
Voice Coil Winding Height.....	1.80mm
Dome Material.....	Macrofol
Flange	Plastic
Air Gap Height.....	1.50mm
Ferrofluid in Air Gap	Yes

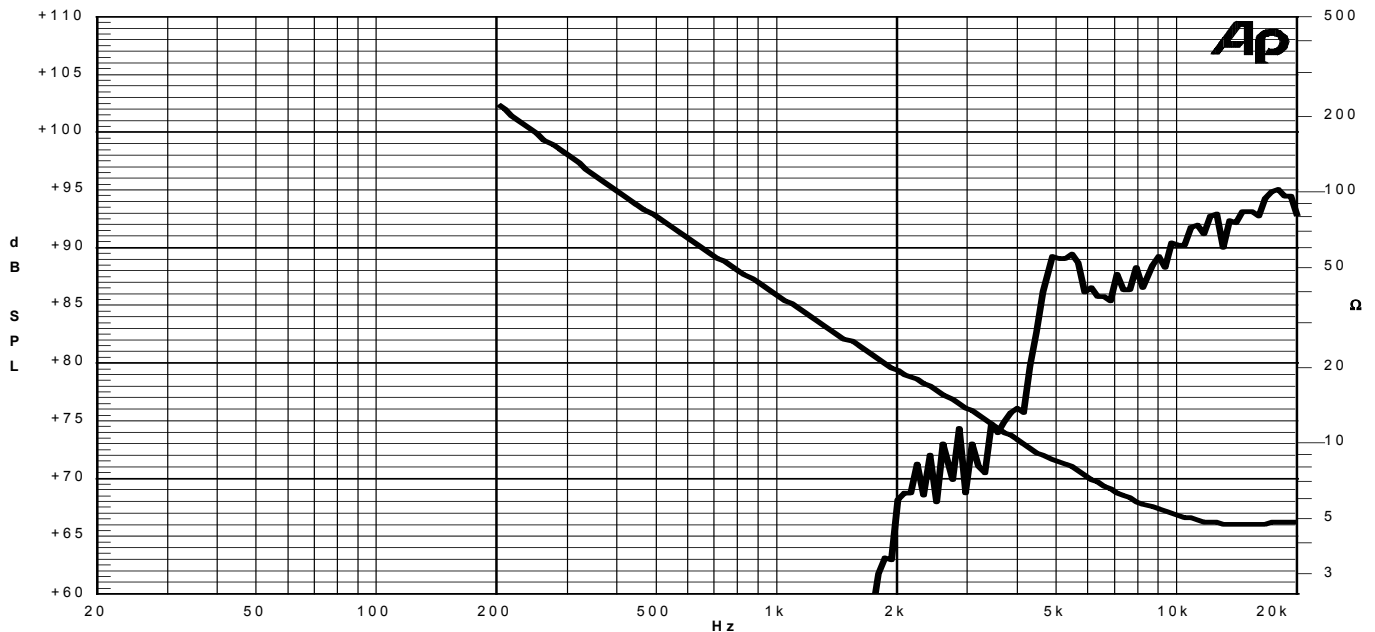
NOTES
 Loudspeaker supplied with:
 1. 6 dB/oct. crossover - $f_c = 5000$ Hz
 2. extension cables

ELECTRICAL CHARACTERISTICS	
Nominal Impedance.....	4 Ω
Musical Power	40 W
Rated Power*	20 W
Sensitivity @ 1 W, 1 m	91.0 dB



*rated power measured with 2 hours test with continuous pink noise signal, 6 dB crest factor, HP filter 4.5kHz-12dB/Oct

Free Air Frequency Response @ 1 W, 1 m - Impedance



Due to continuing product improvement, the features and the design are subject to change without notice.

09/03/05