

1" - 160W Dome Tweeter

LP 110.25/245 TW 4 Ω

Code Z009210

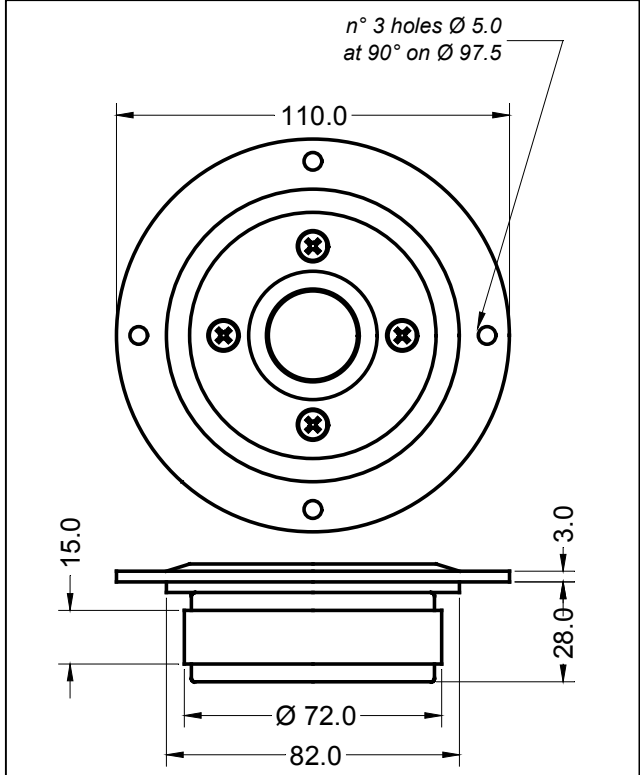
GENERAL CHARACTERISTICS		
Nominal Overall Diameter	110	mm
Nominal Voice Coil Diameter	25	mm
Magnet Weight	245	g
Flux Density.....	1.70	T
Weight.....	0.58	Kg

THIELE-SMALL PARAMETERS			
Voice Coil DC Resistance	R_E	3.00	Ω
Resonance Frequency	f_s	1200	Hz
Voice Coil Inductance @ 1kHz	L_E	0.31	mH

CONSTRUCTIVE CHARACTERISTICS	
Magnet.....	Ferrite
Voice Coil Winding.....	Copper
Voice Coil Former.....	Aluminium
Voice Coil Winding Height.....	1.7mm
Dome Material.....	Treated Silk
Flange	ABS
Air Gap Height.....	2mm
Ferrofluid in Air Gap	Yes

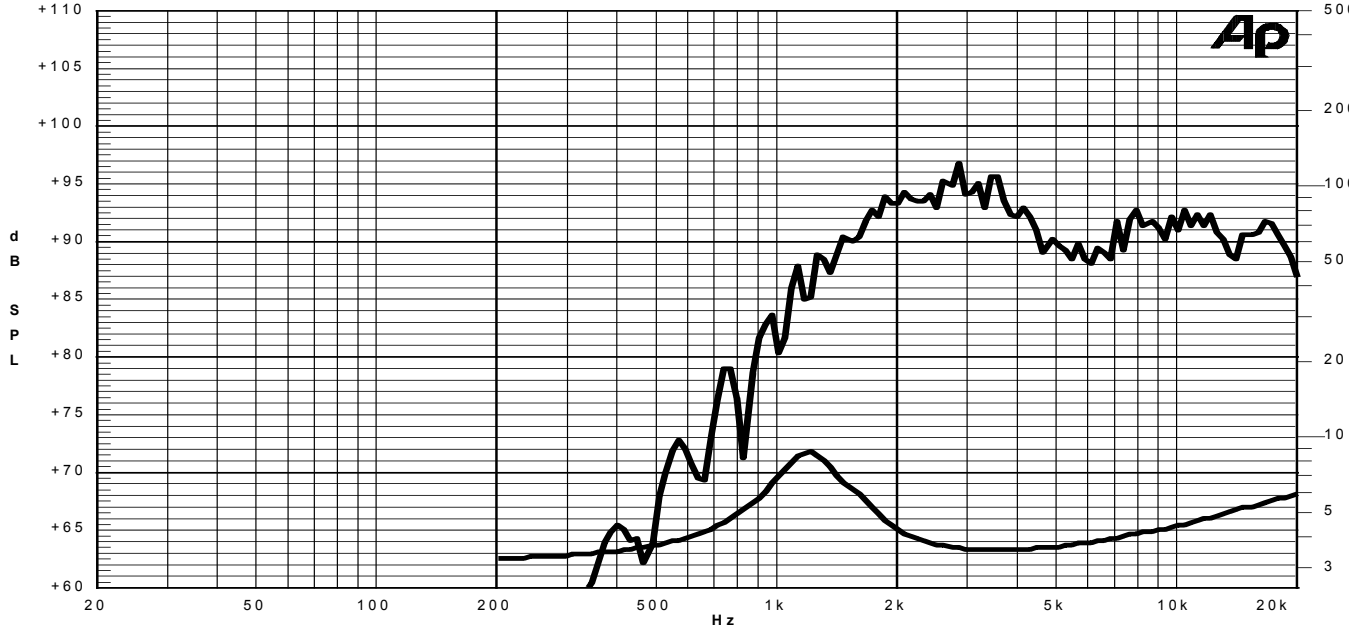
NOTES

ELECTRICAL CHARACTERISTICS		
Nominal Impedance.....	4	Ω
Musical Power	160	W
Rated Power*	80	W
Sensitivity @ 1 W, 1 m	91.4	dB



*rated power measured with 2 hours test with continuous pink noise signal, 6 dB crest factor, HP filter 4.5kHz-12dB/Oct

Free Air Frequency Response @ 1 W, 1 m - Impedance



Due to continuing product improvement, the features and the design are subject to change without notice.

17/03/05