

1" - 120W Dome Tweeter

LP 110.25/160 TW 8 Ω

Code Z009190

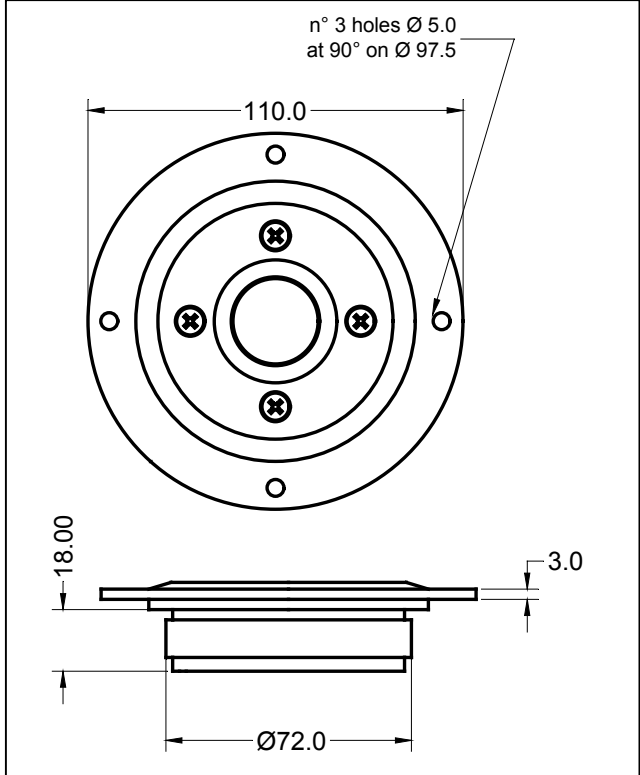
GENERAL CHARACTERISTICS		
Nominal Overall Diameter	110	mm
Nominal Voice Coil Diameter	25	mm
Magnet Weight	160	g
Flux Density.....	1.35	T
Weight.....	0.45	Kg

THIELE-SMALL PARAMETERS		
Voice Coil DC Resistance	R_E	6.60 Ω
Resonance Frequency	f_s	1200 Hz

CONSTRUCTIVE CHARACTERISTICS	
Magnet.....	Ferrite
Voice Coil Winding.....	Copper
Voice Coil Former.....	Aluminium
Voice Coil Winding Height.....	1.7 mm
Dome Material.....	Treated Silk
Flange	ABS
Air Gap Height.....	2.0 mm
Ferrofluid in Air Gap	Yes

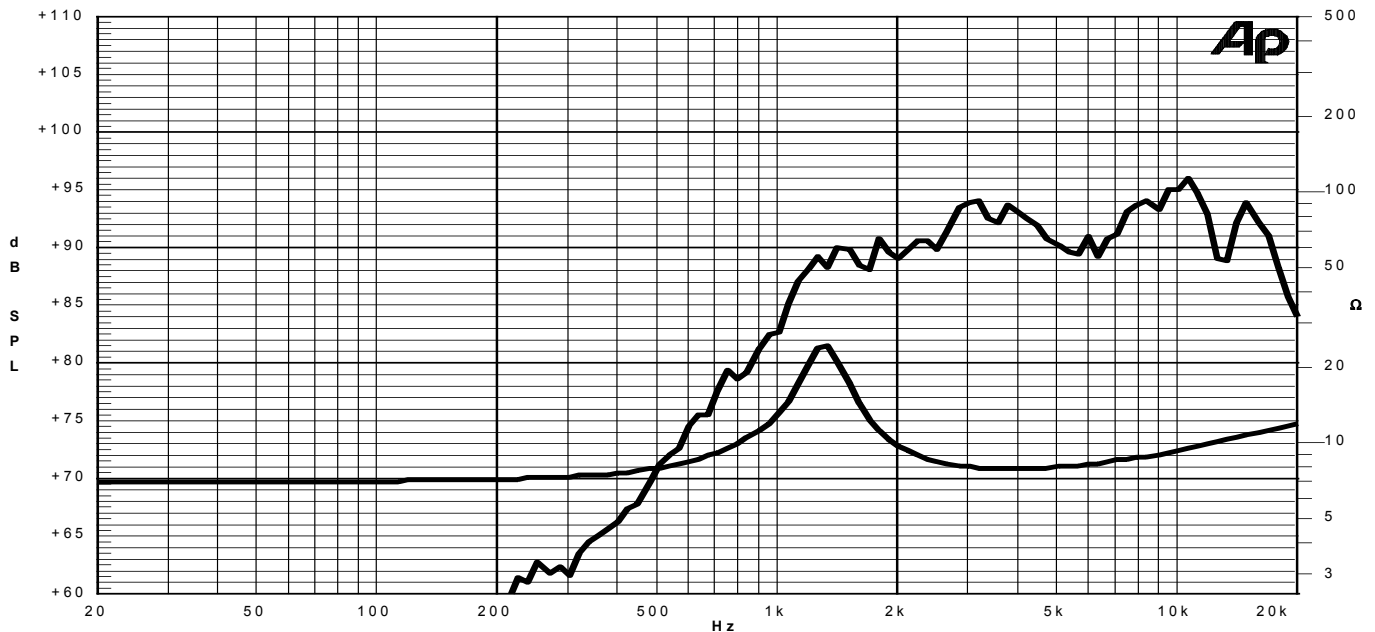
NOTES

ELECTRICAL CHARACTERISTICS		
Nominal Impedance.....	8	Ω
Musical Power	120	W
Rated Power*	60	W
Sensitivity @ 1 W, 1 m	92.0	dB



*rated power measured with 2 hours test with continuous pink noise signal, 6 dB crest factor, HP filter 4.5kHz-12dB/Oct

Frequency Response on IEC Baffle (DIN 45575) @ 1 W, 1 m - Impedance



Due to continuing product improvement, the features and the design are subject to change without notice.

08/09/05