

## 1" - 120W Dome Tweeter

LP 110.25/160 TW 4 Ω

Code Z009200

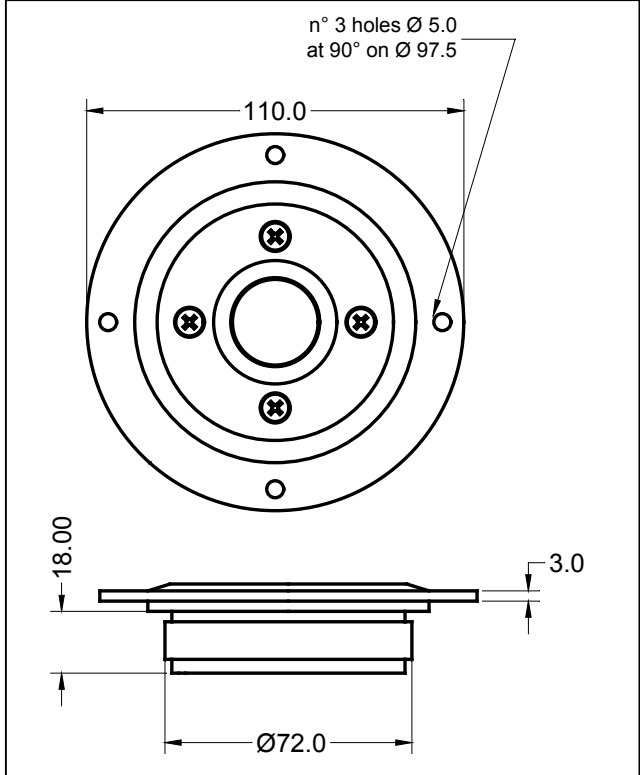
GENERAL CHARACTERISTICS		
Nominal Overall Diameter .....	110	mm
Nominal Voice Coil Diameter .....	25	mm
Magnet Weight .....	160	g
Flux Density.....	1.35	T
Weight.....	0.45	Kg

THIELE-SMALL PARAMETERS		
Voice Coil DC Resistance .....	$R_E$	3.10 Ω
Resonance Frequency .....	$f_s$	1200 Hz

CONSTRUCTIVE CHARACTERISTICS	
Magnet.....	Ferrite
Voice Coil Winding.....	Copper
Voice Coil Former.....	Aluminium
Voice Coil Winding Height.....	1.7 mm
Dome Material.....	Treated Silk
Flange .....	ABS
Air Gap Height.....	2 mm
Ferrofluid in Air Gap .....	Yes

**NOTES**

ELECTRICAL CHARACTERISTICS		
Nominal Impedance.....	4	Ω
Musical Power .....	120	W
Rated Power* .....	60	W
Sensitivity @ 1 W, 1 m .....	92.0	dB



\*rated power measured with 2 hours test with continuous pink noise signal, 6 dB crest factor, HP filter 4.5kHz-12dB/Oct

Frequency Response on IEC Baffle (DIN 45575) @ 1 W, 1 m - Impedance

