

#### GENERAL CHARACTERISTICS

Nominal Overall Diameter .....	208	mm
Nominal Voice Coil Diameter .....	25	mm
Magnet Weight .....	380	g
Flux Density.....	0.95	T
Weight.....	1.10	Kg

#### THIELE-SMALL PARAMETERS

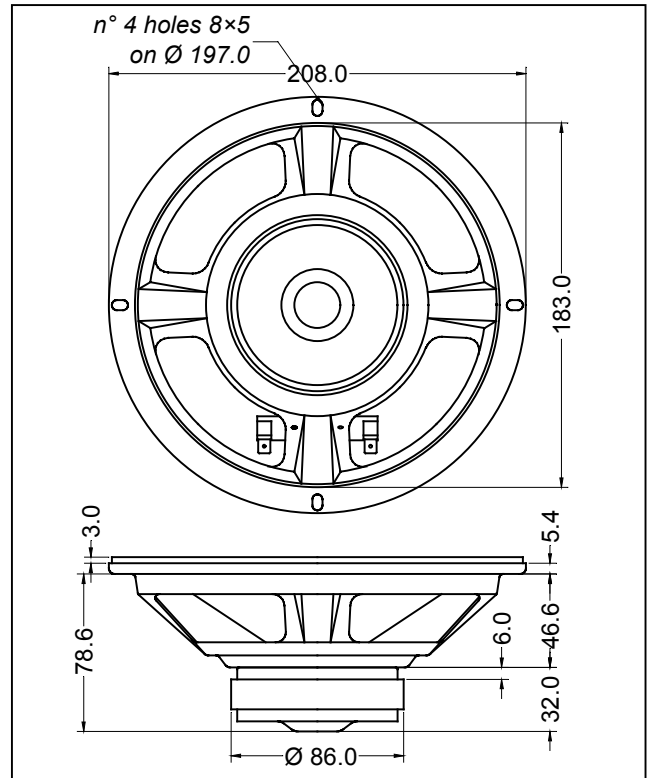
Voice Coil DC Resistance .....	$R_E$	6.23	Ω
Resonance Frequency .....	$f_s$	49.8	Hz
Mechanical Q Factor.....	$Q_{MS}$	5.20	
Electrical Q Factor.....	$Q_{ES}$	0.51	
Total Q Factor .....	$Q_{TS}$	0.47	
Mechanical Moving Mass .....	$M_{MS}$	22.1	g
Mechanical Compliance .....	$C_{MS}$	464	μm/N
Force Factor .....	$B \times l$	9.15	Wb/m
Equivalent Acoustic Volume.....	$V_{AS}$	29.8	lt.
Maximum Linear Displacement ....	$X_{MAX}$	+/-5.0	mm
Reference Efficiency .....	$\eta_0$	0.69	%
Diaphragm Area .....	$S_D$	213.8	cm <sup>2</sup>
Losses Electrical Resistance.....	$R_{ES}$	63.1	Ω
Voice Coil Inductance @ 1kHz .....	$L_E$	1.80	mH

#### CONSTRUCTIVE CHARACTERISTICS

Magnet.....	Ferrite
Voice Coil Winding.....	Copper
Voice Coil Former.....	Epotex
Cone .....	Paper
Surround.....	Rubber
Dust Dome .....	Non Treated Cloth
Basket .....	Pressed Sheet Steel

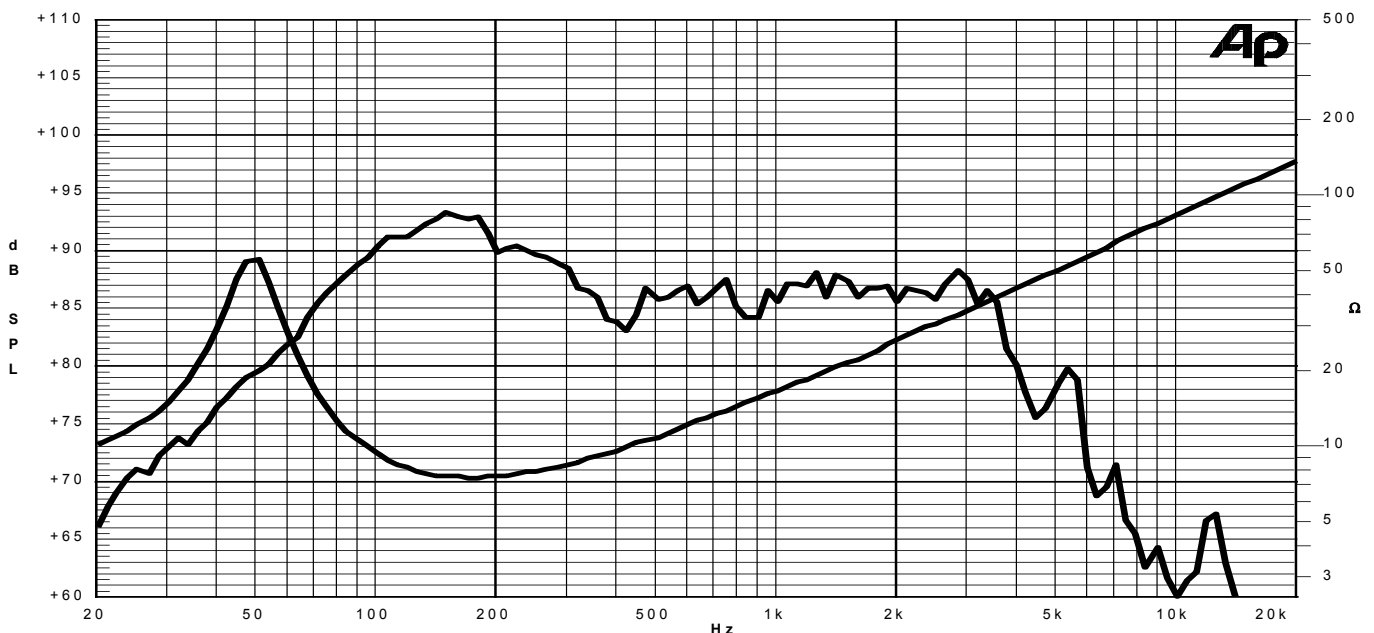
#### ELECTRICAL CHARACTERISTICS

Nominal Impedance.....	8	Ω
Musical Power .....	120	W
Rated Power* .....	60	W
Sensitivity @ 1 W, 1 m .....	90.7	dB



\*rated power measured with 2 hours test with pink noise signal, 6 dB crest factor, loudspeaker mounted on enclosure

Frequency Response on IEC Baffle (DIN 45575) @ 1 W, 1 m - Impedance



Due to continuing product improvement, the features and the design are subject to change without notice.

15/03/05