

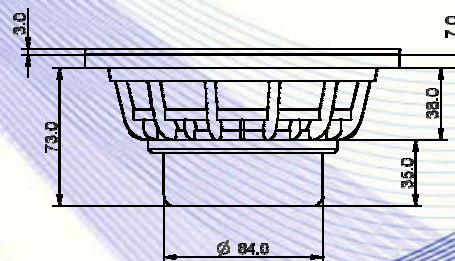
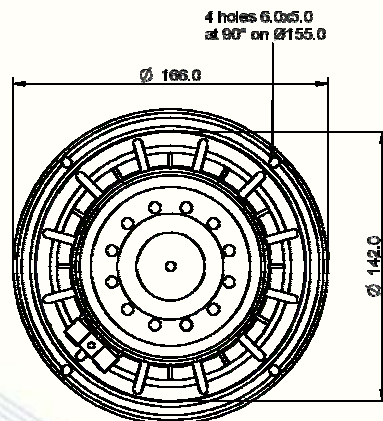
- 2.5" voice coil Kapton former and aluminium winding.
- Progressive wave spider.
- Cloth surround with DAR technology.
- Ventilated magnet and voice coil to reduce power compression.
- 93.9 dB sensitivity.



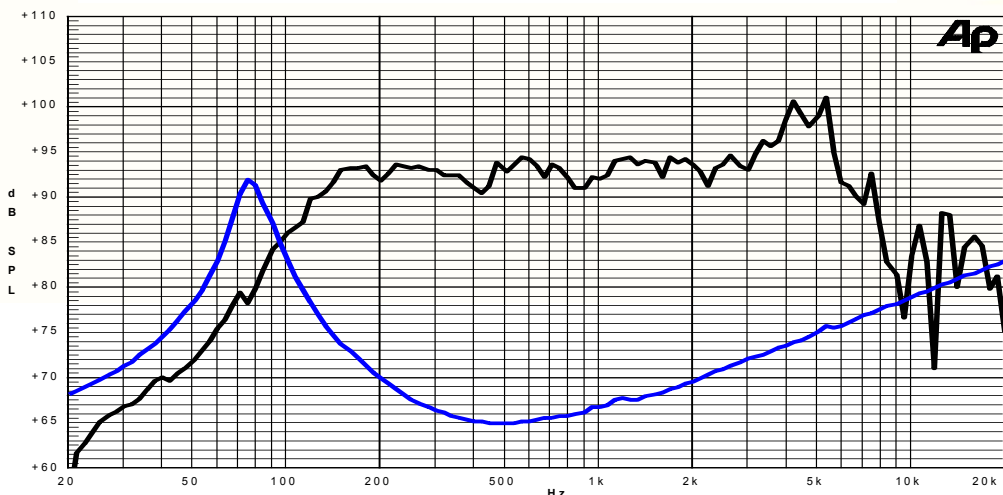
Specifications	
Nominal Diameter	166mm (6")
Nominal Impedance	4 Ω
Rated Power AES ⁽¹⁾	250W
Continuous Program Power ⁽²⁾	500W
Sensitivity @ 1W/1m ⁽³⁾	93.9dB
Voice Coil Diameter	65mm (2,5")
Voice Coil Winding Depth	12mm
Magnetic Gap Depth	8mm
Flux Density	1.14 T
Magnet Weight	220g
Net Weight	1.5kg

Thiele & Small Parameters ⁽⁴⁾			
Re	3.15Ω	Fs	77.5Hz
Qms	5.17	Qes	0.22
Qts	0.21	Mms	15.6g
Cms	269µm/N	Bxl	10.47Tm
Vas	5.7l	Sd	122.7cm ²
X max ⁽⁵⁾	+/-3.1mm	X var ⁽⁶⁾	+/-5.8mm
η ₀	1.17%	Le (1kHz)	0.25mH

Costructive Characteristics	
Magnet	: Neodymium
Basket Material	: Aluminium Die-Cast
Voice Coil Winding Material	: Aluminium
Voice Coil Former Material	: Kapton
Cone Material	: Paper
Cone Treatment	: No
Surround Material	: Treated Cloth
Dust Dome Material	: Solid Paper



Frequency Response on IEC Baffle (DIN 45575) @ 1W,1m – Free Air Impedance



- Note:
- 1 : Rated Power measured with 2 hours test with pink noise signal, 6dB crest factor, loudspeaker mounted on enclosure
 - 2: Power on Continuous Program is defined as 3 dB greater than the Rated Power
 - 3: Calculated by Thiele & Small parameters
 - 4: Thiele & Small parameters measured with laser system without preconditioning test
 - 5: Measured with respect to a THD of 10% using a parameter-based method
 - 6: Value corresponding to a decay of the Force Factor, or Compliance, or both, equal to the 50% of the small signal value.
 - 7: Drawing dimensions: mm
 - 8: The notch around 400Hz on the frequency response is typical of the measurement on IEC baffle