

GENERAL CHARACTERISTICS

Nominal Overall Diameter	165	mm
Nominal Voice Coil Diameter	25	mm
Magnet Weight	270	g
Flux Density.....	1.10	T
Weight.....	0.83	Kg

THIELE-SMALL PARAMETERS

Voice Coil DC Resistance	R_E	3.20	Ω
Resonance Frequency	f_s	82.0	Hz
Total Q Factor	Q_{TS}	0.71	
Mechanical Moving Mass	M_{MS}	10.6	g
Mechanical Compliance	C_{MS}	352	μm/N
Force Factor	$B \times l$	4.87	Wb/m
Equivalent Acoustic Volume.....	V_{AS}	7.4	lt.
Maximum Linear Displacement	X_{MAX}	+/-2.0	mm
Diaphragm Area	S_D	123.0	cm ²

WOOFER CONSTRUCTIVE CHARACTERISTICS

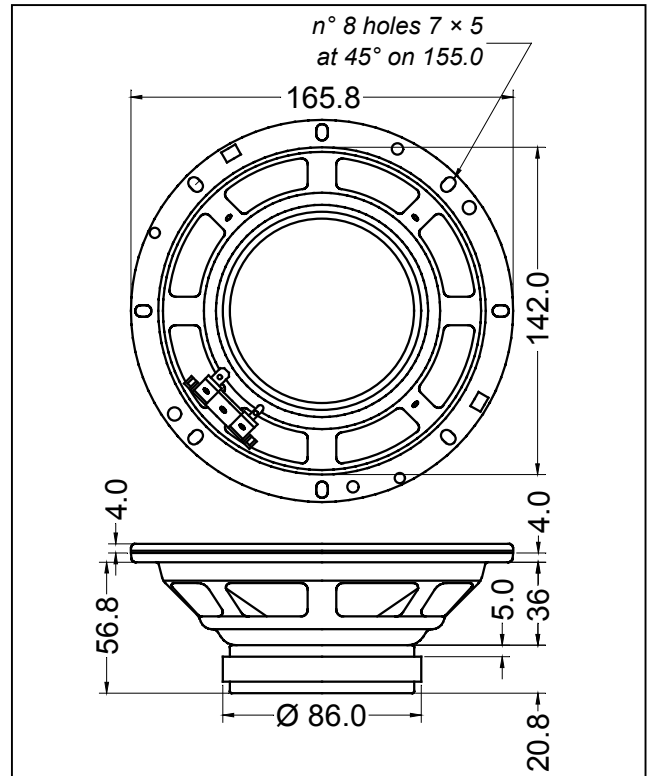
Magnet.....	Ferrite
Cone	Treated Paper
Surround.....	Rubber
Basket	Pressed Sheet Steel

TWEETER CONSTRUCTIVE CHARACTERISTICS

Type	Cone Dome
Dome Material.....	Macrofol
Magnet.....	Neodymium
Nominal Radiation Diameter	25 mm
Nominal Voice Coil Diameter	13 mm
Ferrofluid in Air Gap	Yes

ELECTRICAL CHARACTERISTICS

Nominal Impedance.....	4	Ω
Musical Power	100	W
Rated Power*	50	W
Sensitivity @ 1 W, 1 m	90.1	dB



*rated power measured with 2 hours test with pink noise signal, 6 dB crest factor, loudspeaker mounted on enclosure

Frequency Response on IEC Baffle (DIN 45575) @ 1 W, 1 m - Impedance

