

GENERAL CHARACTERISTICS

Nominal Overall Diameter	462	mm
Nominal Voice Coil Diameter	100	mm
Magnet Weight	3300	g
Flux Density.....	1.31	T
Weight.....	12.80	Kg

THIELE-SMALL PARAMETERS

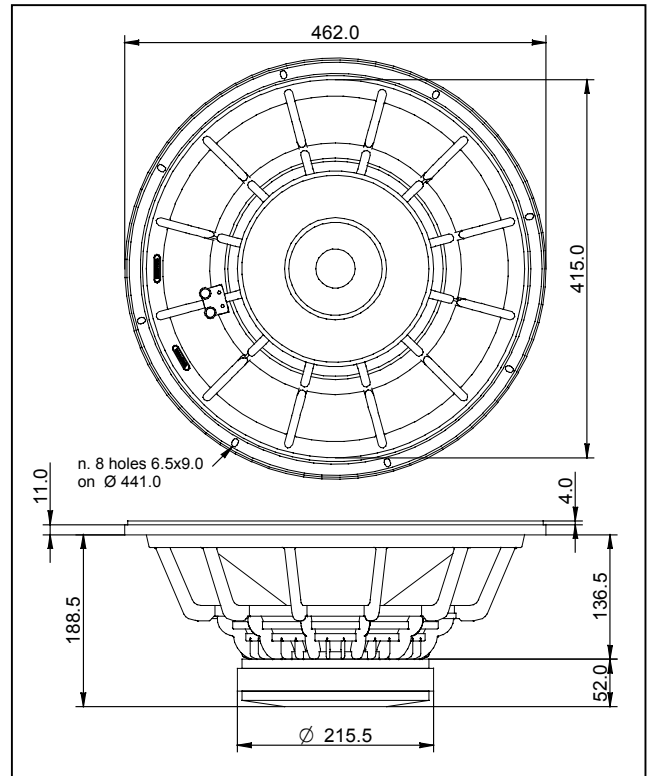
Voice Coil DC Resistance	R_E	3.25	Ω
Resonance Frequency	f_s	36.9	Hz
Mechanical Q Factor.....	Q_{MS}	9.03	
Electrical Q Factor.....	Q_{ES}	0.29	
Total Q Factor	Q_{TS}	0.28	
Mechanical Moving Mass	M_{MS}	196.2	g
Mechanical Compliance	C_{MS}	95	μm/N
Force Factor	$B \times l$	22.55	Wb/m
Equivalent Acoustic Volume.....	V_{AS}	181.9	lt.
Maximum Linear Displacement	X_{MAX}	+/-6.0	mm
Reference Efficiency	η_0	3.02	%
Diaphragm Area	S_D	1164.2	cm ²
Losses Electrical Resistance.....	R_{ES}	100.9	Ω
Voice Coil Inductance @ 1kHz	L_E	1.03	mH

CONSTRUCTIVE CHARACTERISTICS

Magnet.....	Ferrite
Voice Coil Winding.....	Copper
Voice Coil Former.....	Fiberglass
Cone	Paper
Surround.....	Treated Cloth
Dust Dome	Solid Paper
Basket	Aluminium Die-Cast

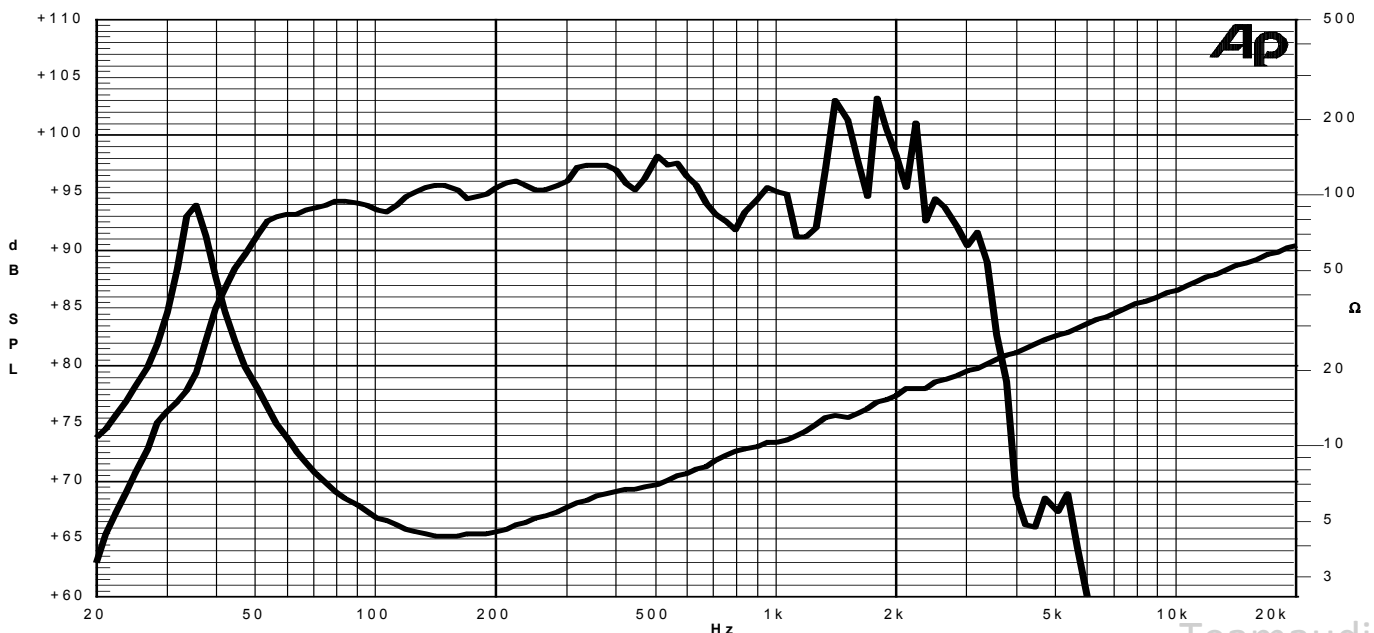
ELECTRICAL CHARACTERISTICS

Nominal Impedance.....	8	Ω
Musical Power	1400	W
Rated Power*	700	W
Sensitivity @ 1 W, 1 m	97.9	dB



*rated power measured with 2 hours test with pink noise signal, 6 dB crest factor, loudspeaker mounted on enclosure
Thiele-Small parameters measured with LASER system

Frequency Response on 150 Litres Vented Box @ 1 W, 1 m - Free Air Impedance



Due to continuing product improvement, the features and the design are subject to change without notice. 25/08/09