

GENERAL CHARACTERISTICS

Nominal Overall Diameter	266	mm
Nominal Voice Coil Diameter	50	mm
Magnet Weight	1100	g
Flux Density.....	1.10	T
Weight.....	3.40	Kg

THIELE-SMALL PARAMETERS

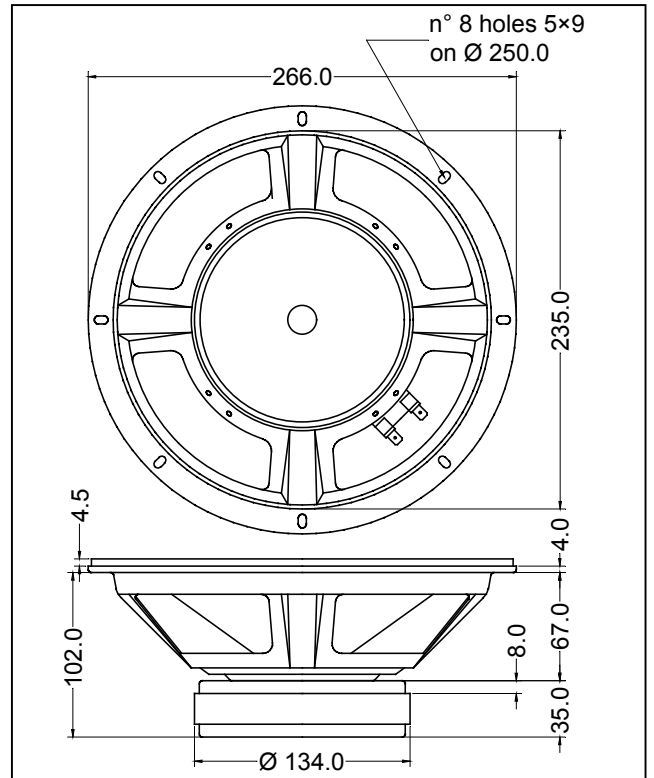
Voice Coil DC Resistance	R_E	6.25	Ω
Resonance Frequency	f_s	53.2	Hz
Mechanical Q Factor.....	Q_{MS}	10.55	
Electrical Q Factor.....	Q_{ES}	0.32	
Total Q Factor	Q_{TS}	0.31	
Mechanical Moving Mass	M_{MS}	22.6	g
Mechanical Compliance	C_{MS}	396	μm/N
Force Factor	$B \times l$	12.09	Wb/m
Equivalent Acoustic Volume.....	V_{AS}	60.5	lt.
Maximum Linear Displacement	X_{MAX}	+/-1.5	mm
Reference Efficiency	η_0	2.71	%
Diaphragm Area	S_D	330.0	cm ²
Losses Electrical Resistance.....	R_{ES}	204.0	Ω
Voice Coil Inductance @ 1kHz	L_E	0.90	mH

CONSTRUCTIVE CHARACTERISTICS

Magnet.....	Ferrite
Voice Coil Winding.....	Copper
Voice Coil Former.....	Kapton
Cone	Paper
Surround.....	Treated Cloth
Dust Dome	Solid Paper
Basket	Pressed Sheet Steel

ELECTRICAL CHARACTERISTICS

Nominal Impedance.....	8	Ω
Musical Power	300	W
Rated Power*	150	W
Sensitivity @ 1 W, 1 m	97.4	dB



*rated power measured with 2 hours test with pink noise signal, 6 dB crest factor, loudspeaker mounted on enclosure

Frequency Response on IEC Baffle (DIN 45575) @ 1 W, 1 m - Impedance

