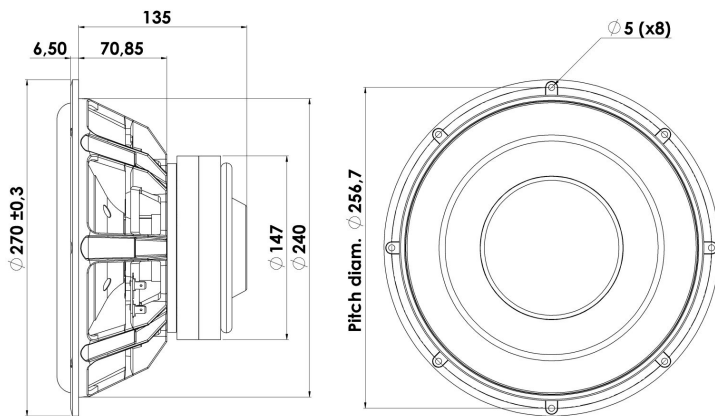




SUBWOOFER

26W/4558T06

Our SILVER SERIES are specially selected units from Scan-Speak's well-known home audio speakers. Which have been optimized for automotive use. This series enables audiophiles to experience in their vehicle the - TRUE TO LIVE - that they enjoy from their high-end home audio system.



KEY FEATURES:

- 56mm Peak Excursion, 25mm Linear
- Low Resonance Freq. 21Hz
- Magnet System w. Alu Ring
- High Output 88dB @ 2,83V
- Anodized Alu Cone, Fibre Glass Dust Cap
- Die cast Alu Chassis vented below spider

T-S Parameters

Resonance frequency [fs]	21 Hz
Mechanical Q factor [Qms]	5.56
Electrical Q factor [Qes]	0.33
Total Q factor [Qts]	0.31
Force factor [Bl]	10.5 Tm
Mechanical resistance [Rms]	2.49 kg/s
Moving mass [Mms]	105 g
Compliance [Cms]	0.55 mm/N
Effective diaph. diameter [D]	212 mm
Effective piston area [Sd]	352 cm ²
Equivalent volume [Vas]	94.9 l
Sensitivity (2.83V/1m)	88 dB
Ratio Bl/√Re	6.51 N/√W
Ratio fs/Qts	68 Hz

Notes:

IEC specs. refer to IEC 60268-5 third edition.
All Scan-Speak products are RoHS compliant.
Data are subject to change without notice.
Datasheet updated: March 15, 2016.

Electrical Data

Nominal impedance [Zn]	4 Ω
Minimum impedance [Zmin]	3.3 Ω
Maximum impedance [Zo]	46.8 Ω
DC resistance [Re]	2.6 Ω
Voice coil inductance [Le]	0.83 mH

Power Handling

100h RMS noise test (IEC 17.1)	150 W
Long-term max power (IEC 17.3)	350 W

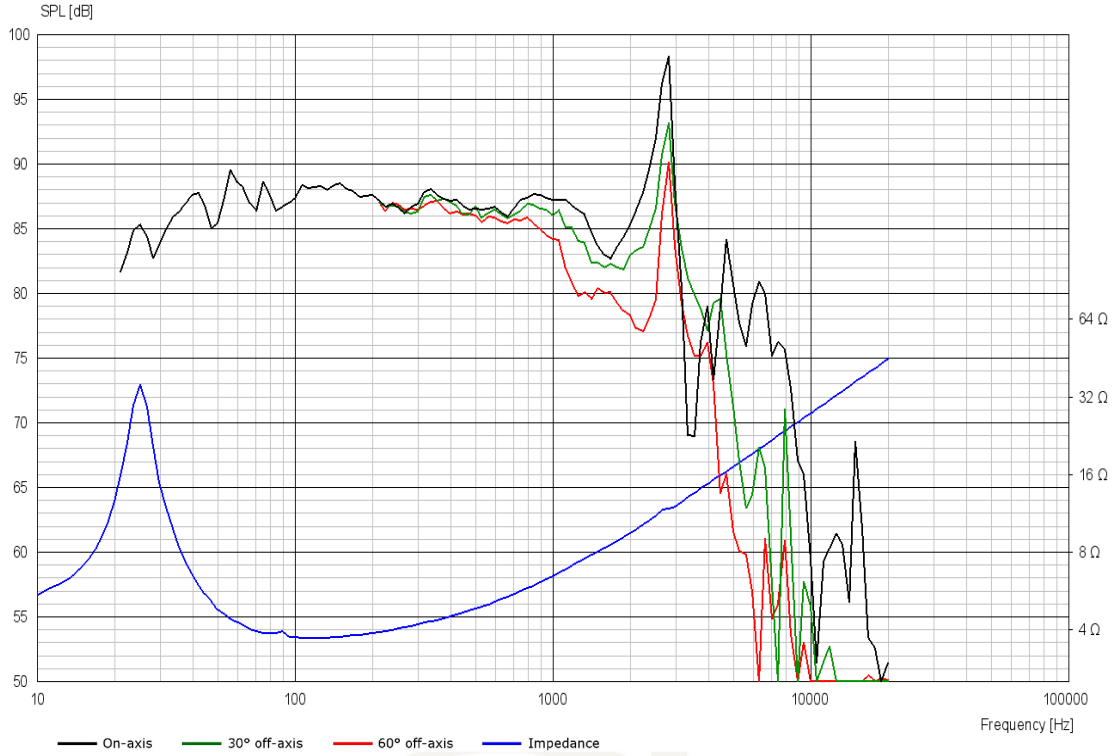
Voice Coil & Magnet Data

Voice coil diameter	51 mm
Voice coil height	33 mm
Voice coil layers	4
Height of gap	8 mm
Linear excursion	± 12.5 mm
Max mech. excursion	± 28 mm
Unit weight	6.2 kg

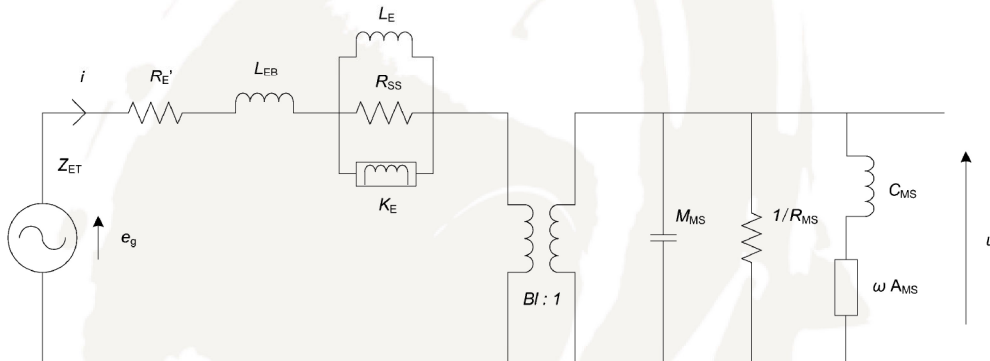


SUBWOOFER

26W/4558T06



Advanced Parameters (Preliminary)



Electrical data

Resistance [Re']	2.70 Ω
Free inductance [Leb]	0.241 mH
Bound inductance [Le]	1.75 mH
Semi-inductance [Ke]	0.063 SH
Shunt resistance [Rss]	252 Ω

Mechanical Data

Force Factor [BI]	9.55 Tm
Moving mass [Mms]	102.2 g
Compliance [Cms]	0.71 mm/N
Mechanical resistance [Rms]	1.34 kg/s
Admittance [Ams]	0.06 mm/N