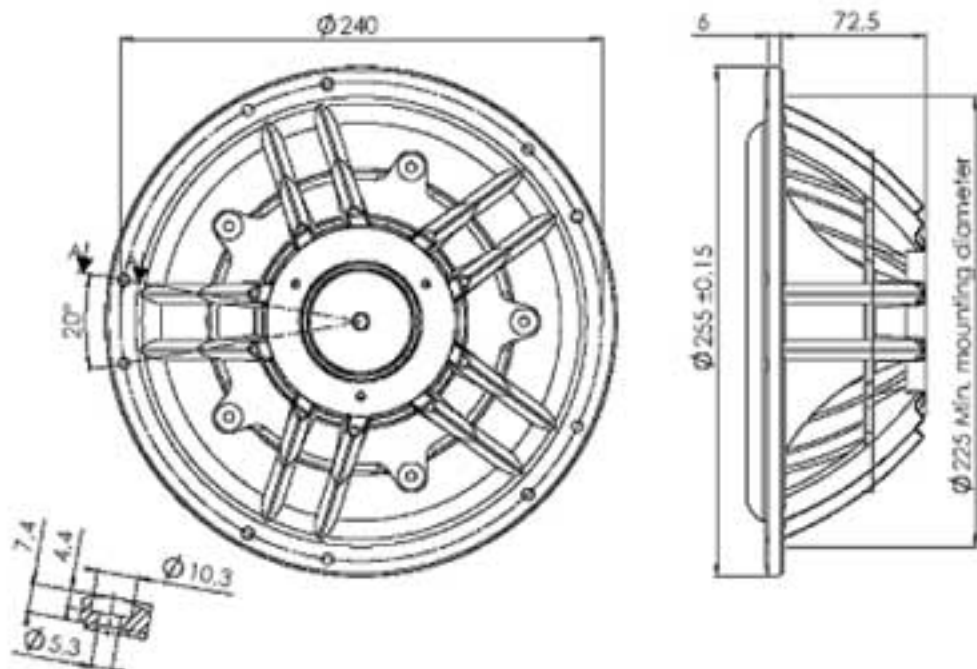




SCAN-SPEAK

23W/0-00-02



Characteristic sensitivity (2.83V / 1m)	:	-
Recommended frequency range	:	-
Free air resonance frequency, f_s	:	10.5 Hz
DC resistance, R_e	:	-
Voice coil inductance, L_e	:	-
Effective piston area, S_d	:	232 cm ²
Moving mass incl. air, m_d	:	400 g
Mechanical loss, R_m	:	2.3 Ns/m
Force factor, BL	:	-
Equivalent volume, V_{as}	:	43.5 ltr.
Mechanical Q-factor, Q_{ms}	:	11.5
Electrical Q-factor, Q_{es}	:	-
Total Q-factor, Q_{ts}	:	-
Excursion, max.	:	± 20 mm
Voice coil diameter	:	-
Rated power handling	:	-
Net weight	:	1.2 kg