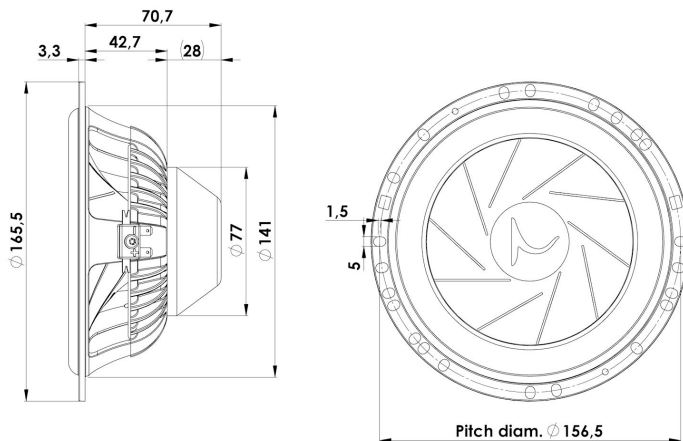




## WOOFER

## 16W/4531G06

Our SILVER SERIES are specially selected units from Scan-Speak's well-known home audio speakers. Which have been optimized for automotive use. This series enables audiophiles to experience in their vehicle the - TRUE TO LIVE - that they enjoy from their high-end home audio system.



### KEY FEATURES:

- Patented Symmetrical Drive Motor Design
- Robust Die cast Alu Chassis
- Low Damping SBR Rubber Surround
- Low-Loss linear suspension
- Sliced Cone (Controls Cone Breakups)
- Compact powerful Neo magnet

#### T-S Parameters

Resonance frequency [fs]	51 Hz
Mechanical Q factor [Qms]	5.08
Electrical Q factor [Qes]	0.66
Total Q factor [Qts]	0.59
Force factor [Bl]	5.18 Tm
Mechanical resistance [Rms]	1.02 kg/s
Moving mass [Mms]	16.3 g
Compliance [Cms]	0.59 mm/N
Effective diaph. diameter [D]	125 mm
Effective piston area [Sd]	123 cm <sup>2</sup>
Equivalent volume [Vas]	12.6 l
Sensitivity (2.83V/1m)	88 dB
Ratio Bl/√Re	2.80 N/√W
Ratio fs/Qts	86 Hz

#### Notes:

IEC specs. refer to IEC 60268-5 third edition.  
All Scan-Speak products are RoHS compliant.  
Data are subject to change without notice.  
Datasheet updated: March 17, 2016.

#### Electrical Data

Nominal impedance [Zn]	4 $\Omega$
Minimum impedance [Zmin]	3.95 $\Omega$
Maximum impedance [Zo]	32.63 $\Omega$
DC resistance [Re]	3.46 $\Omega$
Voice coil inductance [Le]	0.28 mH

#### Power Handling

100h RMS noise test (IEC 17.1)	70 W
Long-term max power (IEC 17.3)	125 W

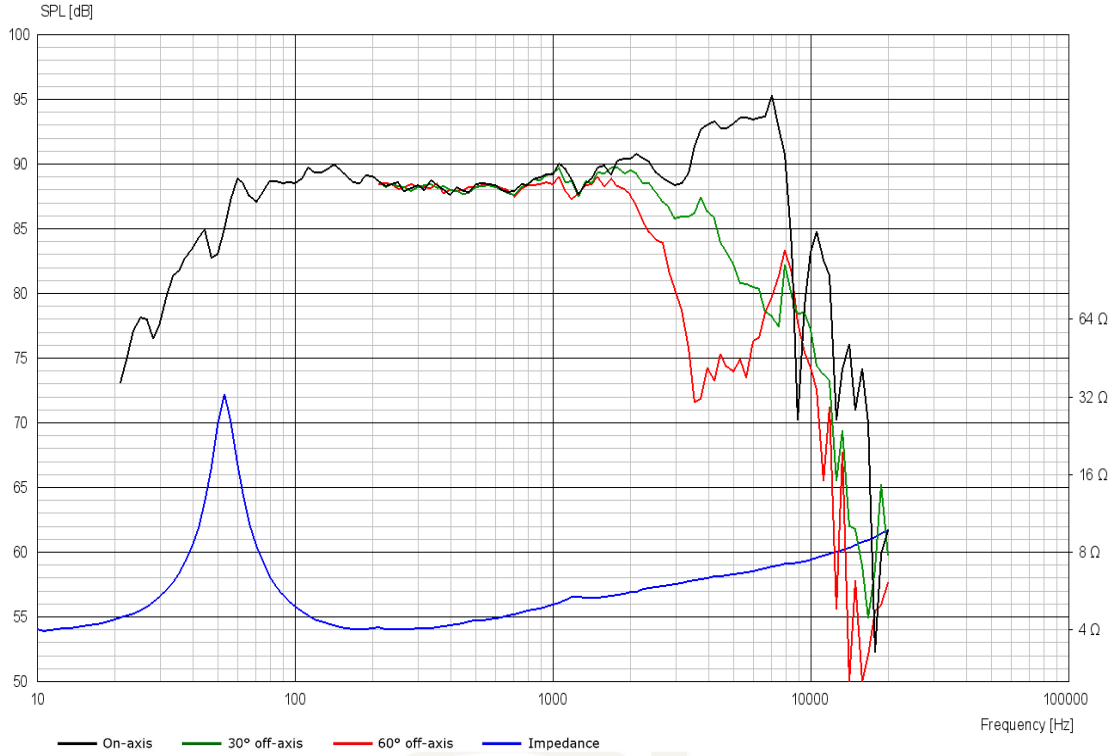
#### Voice Coil & Magnet Data

Voice coil diameter	38 mm
Voice coil height	17.5 mm
Voice coil layers	2
Height of gap	4 mm
Linear excursion	$\pm$ 6.5 mm
Max mech. excursion	$\pm$ 6.5 mm
Unit weight	0.8 kg

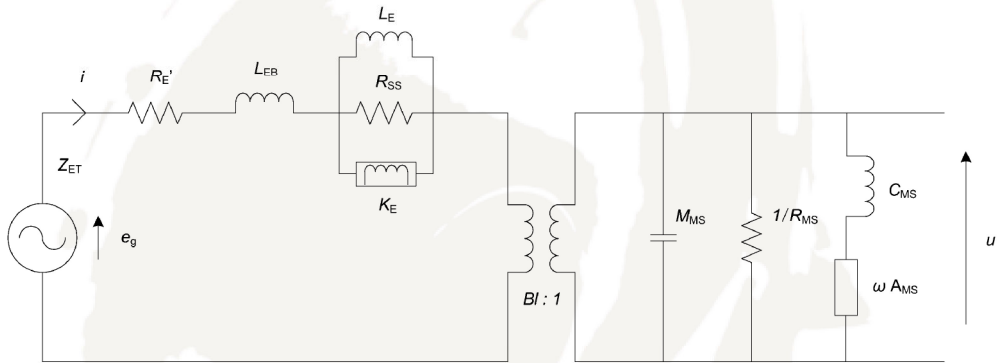


# WOOFER

# 16W/4531G06



## Advanced Parameters (Preliminary)



### Electrical data

Resistance [Re']	- Ω
Free inductance [Leb]	- mH
Bound inductance [Le]	- mH
Semi-inductance [Ke]	- SH
Shunt resistance [Rss]	- Ω

### Mechanical Data

Force Factor [BI]	- Tm
Moving mass [Mms]	- g
Compliance [Cms]	- mm/N
Mechanical resistance [Rms]	- kg/s
Admittance [Ams]	- mm/N