

Saramonic

Sound.Remarkable. 声

USB Desktop Microphone

手机电脑数字电容麦克风

SmartMic MTV500

User Manual

用户手册

Statement

Please read this manual carefully before using and strictly operate and store it in accordance with the instructions. Please save manual for your future reference. If you need further assistance than the user manual, please consult with your retailer for help or email us: info@saramonic.com.

Cautions

1. Do not use the unit under extremely wet conditions or underwater, don't expose it to rain. Please store it in a cool, dry place.
2. Please use and store it in normal temperature. Do not move it from overheated to supercooled condition frequently and be sure to keep away from heat sources such as heater or oven.
3. When using and storing, please keep clean and free of dust and moisture.
4. Be careful to avoid violent collisions or impacts.
5. To avoid feedback, do not hold the microphone close to the loudspeakers.
6. For the best results, do not hold your hand against, or cover the microphone.

Introduction

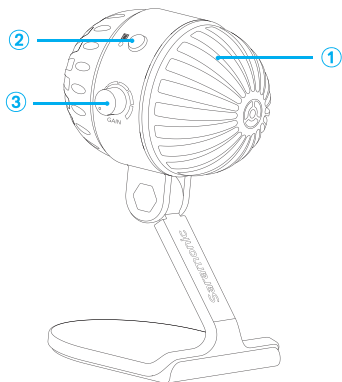
The Saramonic SmartMic MTV500 is an USB microphone that delivers a professional, broadcast-quality sound to your computer in a variety of applications, such as home-recording, studio, podcasting and much more.

Easy-to-operate, gain control, mute button features, you can create a clear and ample audio as you wish.

The SmartMic MTV500 also incorporates real-time monitoring features, like a built-in headphone jack with a volume control, allowing you to directly monitor zero-latency microphone signal.

No need to install any driver, the SmartMic MTV500 can be directly connected to the computer through the supplied cable.

Product Structure



① Pop filter

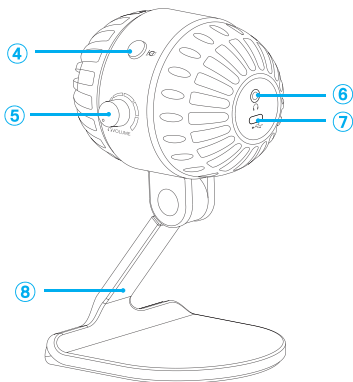
② Polar pattern switch

Mode	Indicator Status
Omnidirectional	Lights off
Cardioid	Green Light

③ Gain control

④ Power/Mute button

Mode	Indicator Status
Power ON	Solid Green Light
Mute ON	Flashes Green Light



⑤ Volume control

⑥ 3.5mm headphone jack

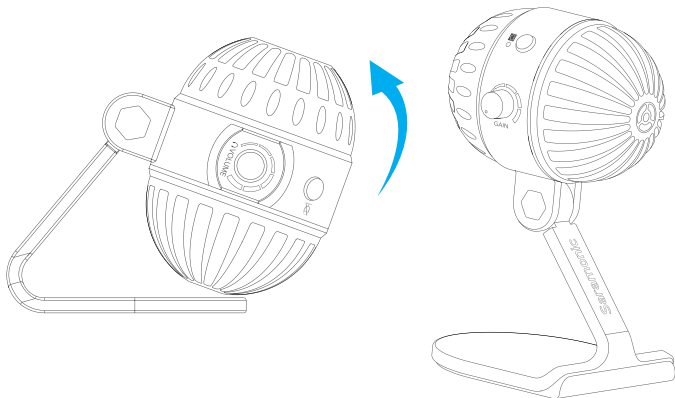
Connect a headphone to monitor the audio output.

⑦ Standard USB-C output (DC 5V)

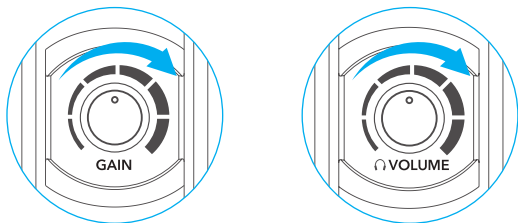
⑧ Desktop stand

Operational Instruction

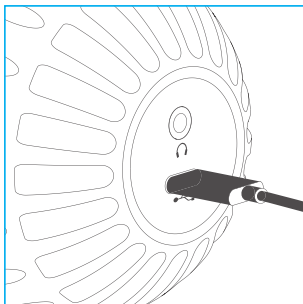
1. Unfold the microphone and lay it flat on the table, adjust it to an ideal angle, And always face the front side of the microphone's pop filter to you.



2. Adjust the "VOLUME" and "GAIN" control to 80% level position. If your pick-up subject is too quiet, you can slightly turn up the volume.



3. No need to install any driver, the SmartMic MTV500 can be directly connected to the computer. Connect to the computer through the supplied cable, and plug into the USB-C output at the back of the microphone. The POWER indicator lights green.



4. Select SmartMic MTV500 as the input/output device on your computer.

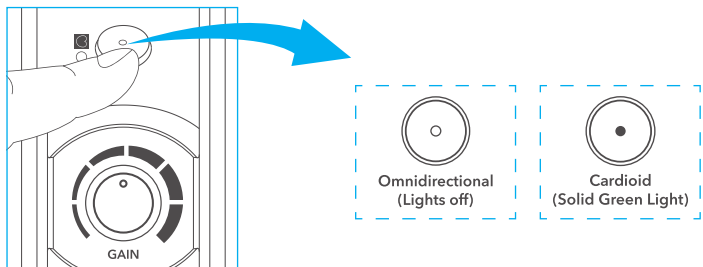
5. Polar Pattern Introduction

○ Omnidirectional

Pick up sound equally from all directions, capturing a natural blend of voice and ambiance with low sensitivity to wind and handling noise, as well as to vocal plosives.

◑ Cardioid

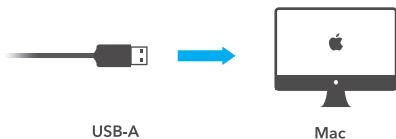
Maximizes the rejection of sound coming from the sides and rear of the mic and can be used as a directional microphone to capture full, rich, natural-sounding audio for podcast, speech, dialog, instrument etc.



6. Choose an appropriate pick-up pattern and keep a certain distance before you recording.

7. You are ready to record. (The headphone jack supports the real-time monitoring, so you can secure the intelligibility of audio)

Setup Procedure (Smartphone)



Mac OSX Setup Procedure

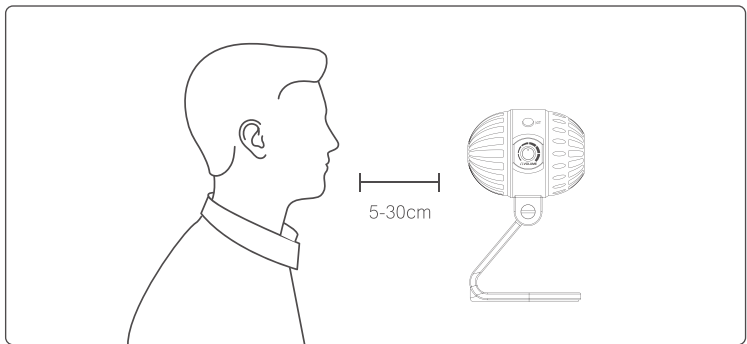
1. Connect the microphone to your computer via the supplied USB-C to USB-A output cables.
2. Open the Apple interface and select the "**System Preferences**".
3. Select the icon of "**Sound**".
4. Choose "**SmartMic MTV500**" as input device and click "**OK**".
5. Choose "**SmartMic MTV500**" as output device and click "**OK**".



Windows Setup Procedure

1. Connect the microphone to your computer via the supplied USB-C to USB-A cable.
2. Open the control panel and select the "**SmartMic MTV500**".
3. Select "Audio" tab and choose "**SmartMic MTV500**" as input device.

Tips



To get optimum sound performance, adjust the microphone's pick-up angle. For maximum clarity and intelligibility, position the microphone pointed directly at the subject's mouth.

Before adjusting the angle, slightly loosen the knobs. Avoid tightening or loosening knobs with great force as it might damage the screw threads.

Always mount the pop filter to avoid plosive when recording.

Specifications

Polar Pattern	Omnidirectional/Cardioid	
Frequency Response	20-20kHz	
Sensitivity	-36±3dB(0dB=1V/Pa,1kH 1.5V 2.2K)	
Signal-to-noise ratio	80dB	
Maximum SPL	130dB	
Gain Control	0~39dB	
Operating Voltage	5V 150mA	
Headphone Amplifier	Impedance	>16ohms
	Output power	130mW
	THD	0.01%
	Frequency Response	15Hz-20,000Hz
	Signal-to-Noise Ratio	100dB
	Headphone gain	0~35 dB
Material	ABS housing	
Output	USB-C	
Dimensions	88×100×171mm (3.5*3.9*6.7")	
Weight	300.5g (10.6 oz.)	

Packing Lists

- SmartMic MTV500 Microphone
- 1.2m (3.9') USB-C to USB-A audio cable
- Warranty Card
- User Manual

声明

请在使用前仔细阅读本手册，并严格按照说明进行操作和存储。请妥善保存好说明书以供将来参考。如果用户手册不能帮助您解决某些问题，请向零售商寻求帮助或给我们发送电子邮件：info@saramonic.com。

注意事项

1. 请勿在水下或潮湿条件下使用本机。请将设备存放至阴凉干燥处。
2. 请在常温下使用和存放。禁止设备长期在冷热交替条件下使用，并远离加热器和烤箱等热涌。
3. 在使用和存放设备时，请注意防尘和防潮。
4. 注意避免剧烈碰撞。
5. 为避免声音反馈，请勿将麦克风靠近扬声器。
6. 为获得最佳拾音模式，请勿将手放在麦克风上。

产品简介

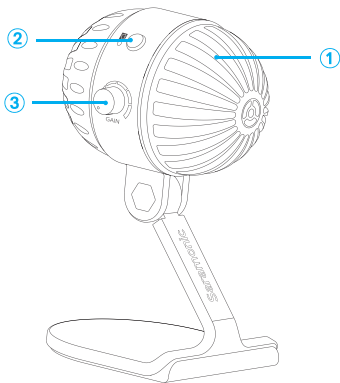
Saramonic SmartMic MTV500 是一款 USB 麦克风，它在能各种场合中为您的电脑提供专业级广播质量的声音，例如家庭录音、工作室、播客等场景。

易于操作，增益旋钮，静音按钮等功能，您可以随意所欲地创建一个清晰高质量的音频。

SmartMic MTV500 还具有实时监控功能，通过内置的耳机音量调节和耳机监听孔，实现零延迟麦克风信号监控。

无需安装任何驱动程序，SmartMic MTV500 可通过配置的音频线，直接连接至设备并开始录音操作。

产品结构



① 防喷罩

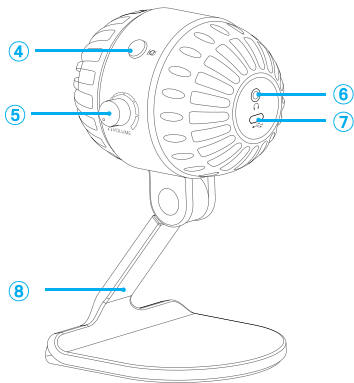
② 拾音模式切换键

模式	指示灯状态
全向型	灯熄灭
心型	绿灯常亮

③ 增益旋钮

④ 电源 / 静音按键

模式	指示灯状态
电源开	绿灯常亮
静音	绿灯快闪



⑤ 音量控制键

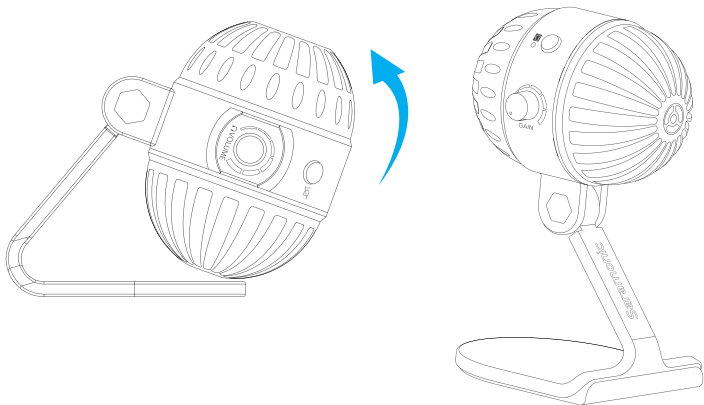
⑥ 3.5mm 耳机监听孔
连接耳机，监听音频输出情况。

⑦ Type-C 输出孔

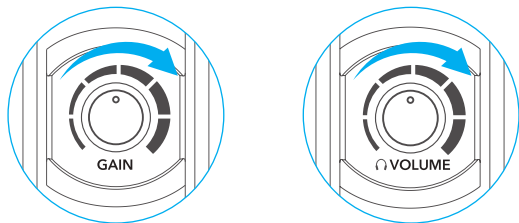
⑧ 台式支架

操作步骤

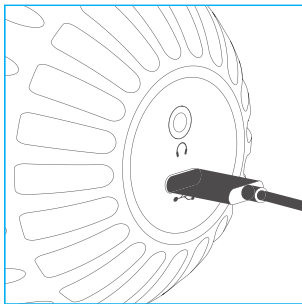
1. 将折叠的麦克风进行展开，把它平放在桌子上。调整至合适的收音角度，始终将麦克风防风罩正对自己。



2. 调整“音量”和“增益”控制到 80% 水平位置。如果你的收录对象声音太小，稍微提高增益水平。



3. 无需安装任何驱动程序，SmartMic MTV500 可直接连接电脑。通过提供的音频线连接到电脑，另一端到麦克风的 Type-C 输出。连接成功时，电源指示灯为绿色。



4. 在电脑上选择 SmartMic MTV500 作为音频输入 / 输出设备。

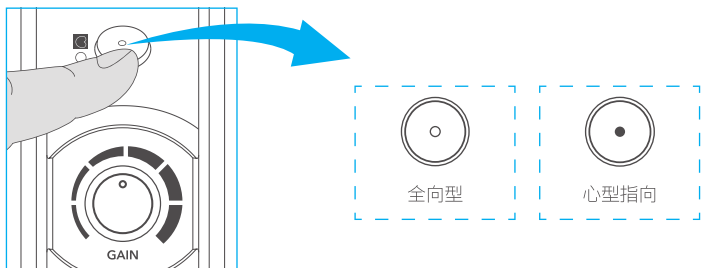
5. 拾音模式概述

○ 全向型拾音模式

适合于收录自然混合的周围音，对风和手持噪音以及爆破音的敏感度较低。

◐ 心型拾音模式

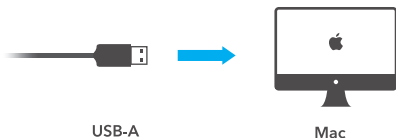
最大程度地剔除从两侧和后方的声音，通常当作指向型麦克风使用，适合捕捉饱满圆润的自然声，可用于播客、演讲、访谈、乐器弹奏等场合。



6. 选择合适的拾音模式，请将麦克风调整至合适的收音距离。

7. 开始录音（麦克风底部的耳机监听孔支持实时监听音频功能，能够保证录音过程不间断。）

设置程序



MacOSX 系统程序操作教程

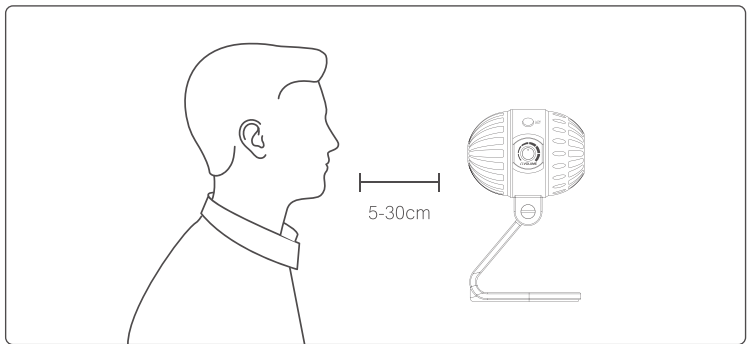
1. 使用 Type-C 转 USB-A 输出线，一端连接麦克风 Type-C 输出孔，另一端连接电脑。
2. 打开苹果设置界面的“系统偏好设置”。
3. 选择“声音”图标。
4. 点击“SmartMic MTV500”作为输入设备，点击“确认”。
5. 点击“SmartMic MTV500”作为输出设备，点击“确认”。



Windows 系统程序操作教程

1. 用 Type-C 转 USB-A 输出线，一端连接麦克风 Type-C 输出孔，另一端连接电脑。
2. 打开“控制面板”，点击“硬件和声音”选项
3. 选择“声音”图标，点击“SmartMic MTV500”作为输入设备，点击“确认”。

提示



为保持最佳的录制效果，请在录制前装上防喷罩。

(Saramonic 的标志朝外)，并将麦克风调整至合适的角度。

5-30cm 为最佳录制距离。

产品参数

心形模式	全指向 / 心形	
频率范围	20 至 20kHz	
灵敏度	-36 ± 3dB (0dB=1V/Pa, 1kH 1.5V 2.2K)	
信噪比	80dB	
最大声压级	130dB	
麦克风增益控制	0~39dB	
工作电压	5V 150mA	
耳机放大器	阻抗	>16ohms
	输出功率 (RMS)	130mW
	耳机总谐波失真	0.01%
	频率响应	15Hz-20,000Hz
	信噪比	100dB
	耳机监听增益	0~35 dB
材质	ABS 外壳	
输出连接	TYPE-C	
尺寸	88 × 100 × 171mm (3.5*3.9*6.7")	
重量	300.5g (10.6 oz.)	

包装清单

- SmartMic MTV500 麦克风
- 1.2m USB-C 转 USB-A 音频转接线
- 保修卡
- 说明书



For better recording experience, the application **SmartRecorder** is recommended.

为获得更好的录制体验，推荐使用枫笛 Saramonic 自主研发应用程序 **SmartRecorder**。

Shenzhen Jiayz Photo Industrial., Ltd
深圳市长丰影像器材有限公司

A16 Building, Intelligent Terminal Industrial Park of Silicon Valley
Power, Guanlan, Longhua District, Shenzhen, China
深圳市龙华区观澜街道大富工业区硅谷动力智能终端产业园 A16 栋

☎ 400-613-1096

🌐 www.saramonic.com

✉ info@saramonic.com



Scan the QR code and follow us!
扫描微信关注枫笛公众号!