

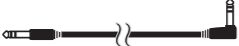






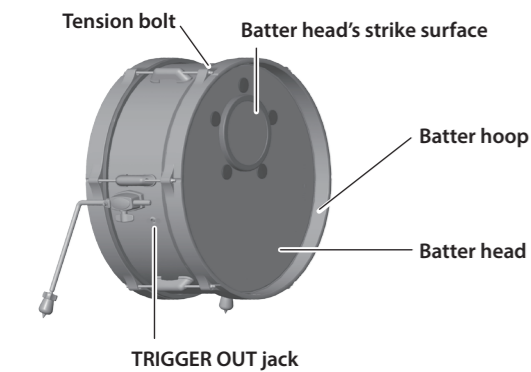
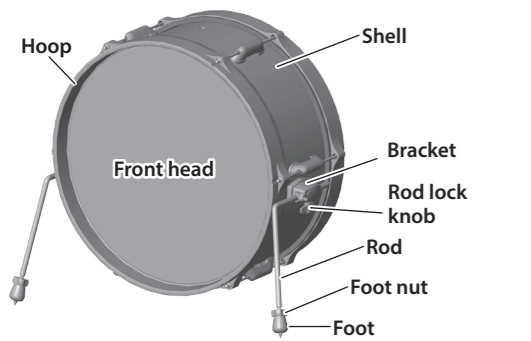
Check the Included Items

After opening the package, check that all of the included items are present. If anything is missing, contact your dealer.

-  Main unit
-  Rod (with memory lock) × 2
-  Connection cable
-  Drum key
-  Owner's Manual

* This package does not include a kick pedal or beater. A variety of commercially available beaters can be used, including felt, plastic, or wood types. However, if you use a felt beater, strike marks of the felt might remain on the striking surface.

Descriptions



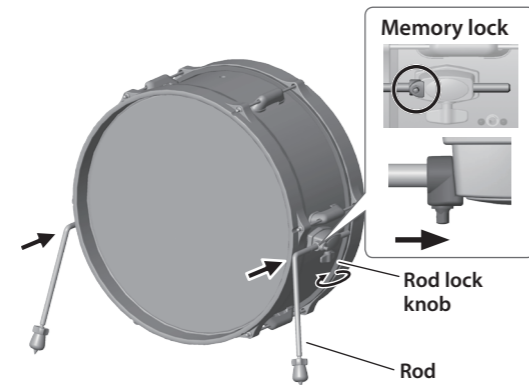
Assembling the KD-180L

NOTE
During assembly, take care that the weight of the bass drum does not pinch your hand or foot.

1. Loosen the rod lock knob, and attach the rod.

Position the rod so that the memory lock is in close contact with the bracket of the main unit, and then tighten the rod lock knob.

* We recommend that you use the memory lock in the factory-set position. This allows installation at the recommended rod length and angle.

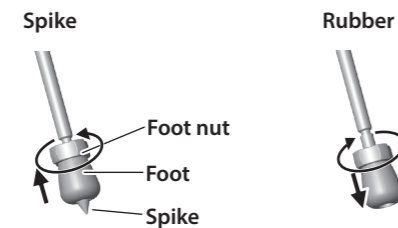


2. Adjust the tip of the rods (spike/rubber) appropriately for the surface on which you're placing the KD-180L.

Spike	Soft floor Carpet, etc.
Rubber	Hard floor Wood flooring, concrete, etc.

If you loosen the foot nut and rotate the foot to raise it, the spike will be exposed.

Tighten the foot nut to secure the position of the foot.

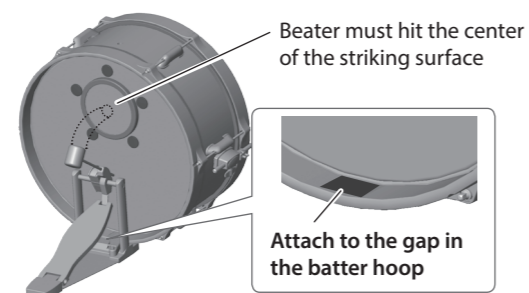


* The tip of the spike is sharp; handle it with care.
* Using the spike leg tips on wood flooring may damage the floor; the rubber leg tips should be used on wood flooring.

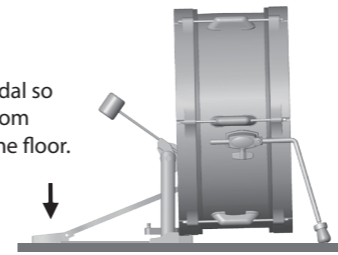
3. Attach the kick pedal at the kick pedal attachment position (the gap in the batter hoop).

Adjust the location at which the kick pedal is attached so that the beater strikes the center of the batter head's strike surface; then securely fasten the kick pedal to the KD-180L.

* Take care not to pinch your fingers.

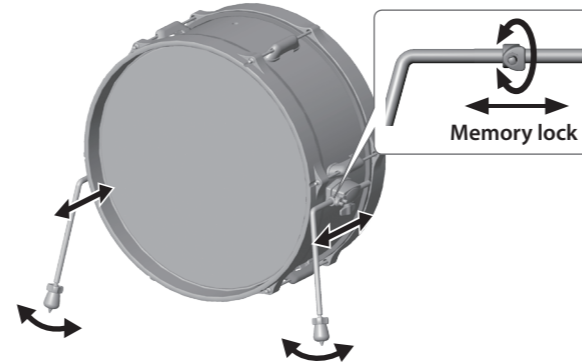


Attach the kick pedal so that its entire bottom surface contacts the floor.



MEMO

If the kick pedal installation is not stable, or if you want to change the strike feel, adjust the rod length or angle. You can also adjust the length and angle of the rod by using a drum key to adjust the memory lock.



Using Double Kick Pedals

The KD-180L can also be used with double kick pedals.

Adjust the striking points of the two beaters so that they are at equal distances to the left and right of the batter head's strike surface.

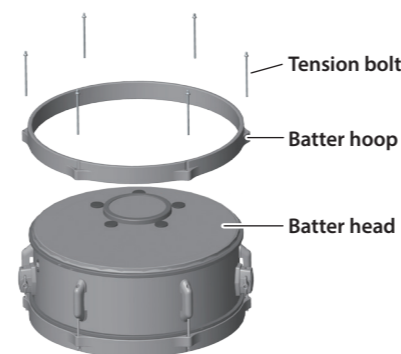


If the beater's striking point cannot be aligned appropriately

Depending on the kick pedal, it might not be possible to attach it to the bass drum so that the strike point of the two beaters is located symmetrically to the left and right of the center of the batter head's strike surface.

In this case, use the following procedure to adjust the position of the batter head's strike surface.

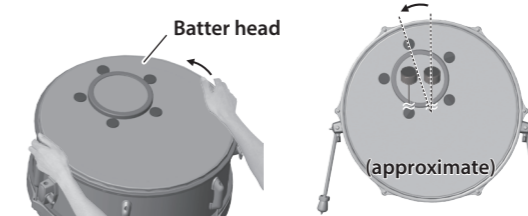
1. Remove the tension bolts and the batter hoop.



NOTE

To avoid injury, damage, or malfunction, do not detach the batter head from the shell. Take care not to injure your hands or feet while working.

2. Turn the batter head to approximately the position shown in the illustration.

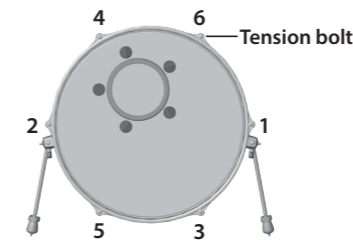


NOTE

To avoid damaging the interior, take care not to turn the batter head excessively (guideline for turning: ±30 degrees).

3. Place the batter hoop back.

4. Working alternately across opposite sides of the drum, lightly tighten each tension bolt until the batter hoop do not wobble.



5. Then tighten each tension bolt another 1/4 of a turn to secure the batter head.

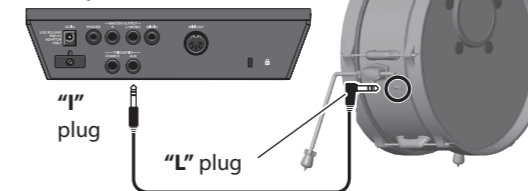
* If the tension of the batter head is excessive or insufficient, the sensor might malfunction, or the impact might be louder.

Connecting to the Drum Sound Module

Connect the KD-180L to your drum sound module.

Use the included connection cable to make the connection. Connect the "L" plug of the connection cable to the jack of the KD-180L.

(Example) TD-17



Recommended Parameter Settings

These are the recommended values for the trigger parameters when using the KD-180L with various drum sound modules.

If the "PAD TYPE" or "TRIG TYPE" of your drum sound module provides a "KD180L" setting, choose "KD180L." If "KD180L" is not one of the available values, refer to the support information on the Roland website.

http://roland.cm/trigger_prm



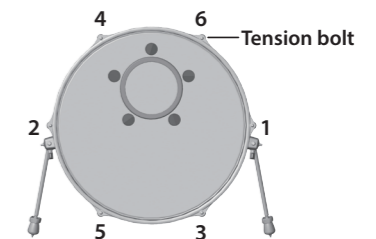
You may need to adjust the trigger parameters depending on how you've mounted the KD-180L and the location at which you've installed it.

For details on editing refer to the owner's manual of your drum sound module.

Adjusting the Head Tension

Adjust the tension of the batter head before you play the KD-180L. You can vary the strike response (playing feel) by adjusting the tension.

1. Adjust each tension bolt little by little, working back and forth across the head in the order shown in the illustration.



* Fully tightening a tension bolt at only a single location will produce uneven tensioning, which will make it impossible to achieve correct strike response and may also cause malfunctions.

2. Adjust each tension bolt so that the head is tensioned evenly.

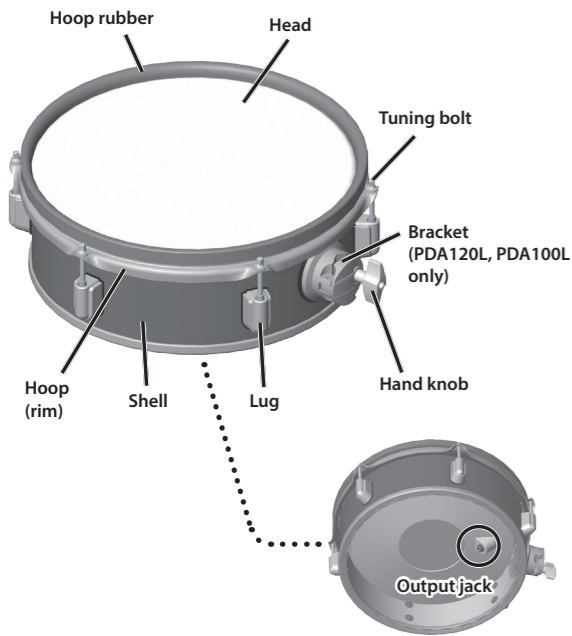
Main Specifications

Roland KD-180L: Bass drum

Shell	18 (Diameter) x 7 (Depth) inches Wood shell
Trigger	1 (Head)
Acceptable pedal	Single pedal, Twin pedal
Connector	TRIGGER OUT jack
Dimensions	502 (W) x 240 (D) x 478 (H) mm 19-13/16 x 9-1/2 x 18-7/8 inches * Excluding legs
Weight	5.6 kg 12 lbs 6 oz

* This document explains the specifications of the product at the time that the document was issued. For the latest information, refer to the Roland website.

Names of Parts



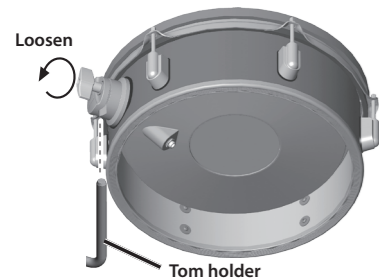
* The illustration shows the PDA120L.

NOTE

Due to the characteristics of the materials used in the sensor, the strike feel of the head and the sensitivity of the sensor may be affected by changes in temperature and humidity.

Mounting on a Stand

PDA120L, PDA100L only



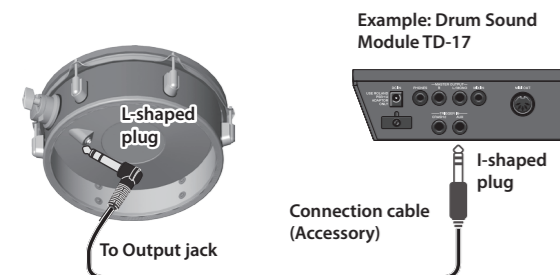
Allowable diameter of mounting rod: 9–13 mm (3/8–9/16 inches)

Connecting to the Drum Sound Module

Using the included connection cable (stereo cable) or the dedicated connection cable included with your drum sound module, attach the pad to your drum sound module. Connect the L-shaped plug of the connection cable to the pad's output jack.

Using a mono cable will NOT allow rim shots.

* To prevent malfunction and equipment failure, always turn down the volume, and turn off all the units before making any connections.



Recommended Parameter Settings

These are the recommended setting values for the trigger parameters when using the PDA120LS, PDA120L, or PDA100L with your drum sound module.

Choose these if "PDA120LS/PDA120L/PDA100L" is one of the choices for "PAD TYPE" or "TRIG TYPE" on your drum sound module.

If "PDA120LS/PDA120L/PDA100L" is not one of the choices, then refer to the support information on the Roland website.

http://roland.cm/trigger_prm

You might need to adjust the trigger parameters depending on the conditions of use, such as the mounting method or the position of the PDA120LS, PDA120L, or PDA100L. For details on these settings, refer to the owner's manual of your drum sound module.



Adjusting the Head Tension

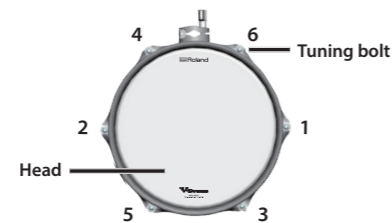
Before playing, you must adjust the pad tension first. If the head is too loose, the sensor might not work correctly, or the sensor might be damaged. For stable operation, adjust the head tension slightly tighter than the strike feel of a typical acoustic drum.

NOTE

To avoid faulty operation, observe the following points.

- Adjust the head evenly so that it does not sag.
- Adjust the tuning bolts so that they are not loose.

1. Adjust each tuning bolt little by little, across the head as indicated in the illustration.



NOTE

Fully tightening a tuning bolt at only a single location produces uneven tensioning, and correct playing dynamics may not be achieved or may even cause malfunctions. Even tuning/tensioning is very important.

2. Adjust the tightness of each tuning bolt so that the head is tensioned evenly.

MEMO

- Head tension will not affect the actual tuning of the sound you are playing. For that you need to adjust sound parameters in the drum sound module you are using. For details, refer to the owner's manual of your drum sound module.
- Also, head tension may change depending on usage. Adjust as needed.

Replacing the Head or Hoop Rubber

The performance of the head and/or hoop rubber will diminish with use over time. If the head is torn or becomes too fatigued, or impossible to tension correctly, then it should be replaced. If the hoop rubber is worn out, it too can be replaced.

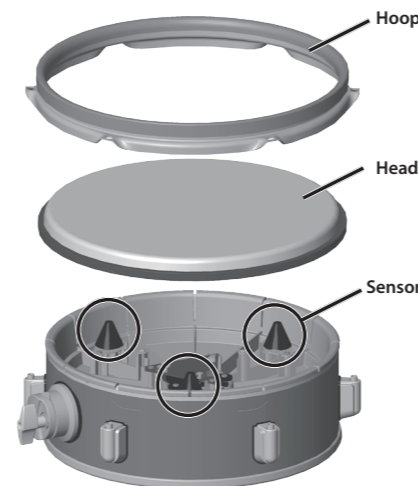
For replacement heads or to have the hoop rubber replaced, please contact your dealer or a Roland service center.

Replacing the Head

NOTE

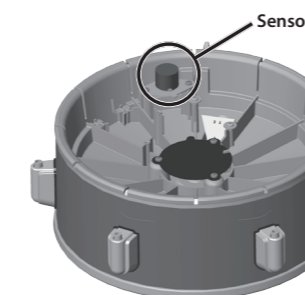
Applying excessive force to the sensors located under the head can damage them and/or interfere with accurate triggering.

PDA120LS, PDA120L



* The illustration shows the PDA120L.

PDA100L

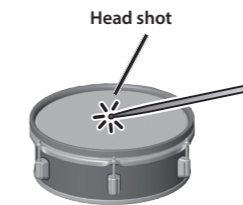


- 1. Remove all tuning bolts.**
Go around and loosen each bolt a little at a time by turning it counter-clockwise.
- 2. Remove the hoop and old head.**
* Take care not to touch the sensor with your hand.
- 3. Place the new head and hoop on the shell.**
- 4. Install all six tuning bolts.**
- 5. Adjust the tension of the head.**

Playing Methods

Head shot

Hit only the head of the pad.

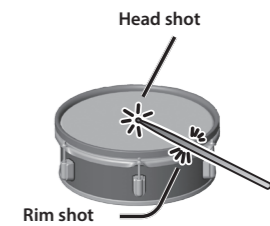


MEMO

For details on the sounds that are supported, refer to the owner's manual of your drum sound module.

Rim shot

Strike the head and the rim of the pad simultaneously. A sound (rim sound) different than the head shot will be heard.



Main Specifications

Roland PDA120LS, PDA120L, PDA100L: V-Pad

	PDA120LS	PDA120L	PDA100L
Shell	12 (diameter) x 4 (depth) inches Wood shell		10 (diameter) x 4 (depth) inches Wood shell
Head	2-ply mesh head		
Triggers	2 (Head, Rim)		
Connector	Output jack		
Allowable diameter of mounting rod	-		9–13 mm (3/8–9/16 inches)
Dimensions	345 (W) x 324 (D) x 125 (H) mm 13-5/8 (W) x 12-13/16 (D) x 4-15/16 (H) inches	345 (W) x 380 (D) x 125 (H) mm 13-5/8 (W) x 15 (D) x 4-15/16 (H) inches	295 (W) x 330 (D) x 125 (H) mm 11-5/8 (W) x 13 (D) x 4-15/16 (H) inches
Weight	2.0 kg 4 lbs 7 oz	2.3 kg 5 lbs 2 oz	1.9 kg 4 lbs 4 oz
Accessories	Owner's Manual, Leaflet "USING THE UNIT SAFELY," Connection cable, Drum key		

This document explains the specifications of the product at the time that the document was issued. For the latest information, refer to the Roland website.

Roland Service Centers and Distributors

When you need repair service, access this URL and find your nearest Roland Service Center or authorized Roland distributor in your country.

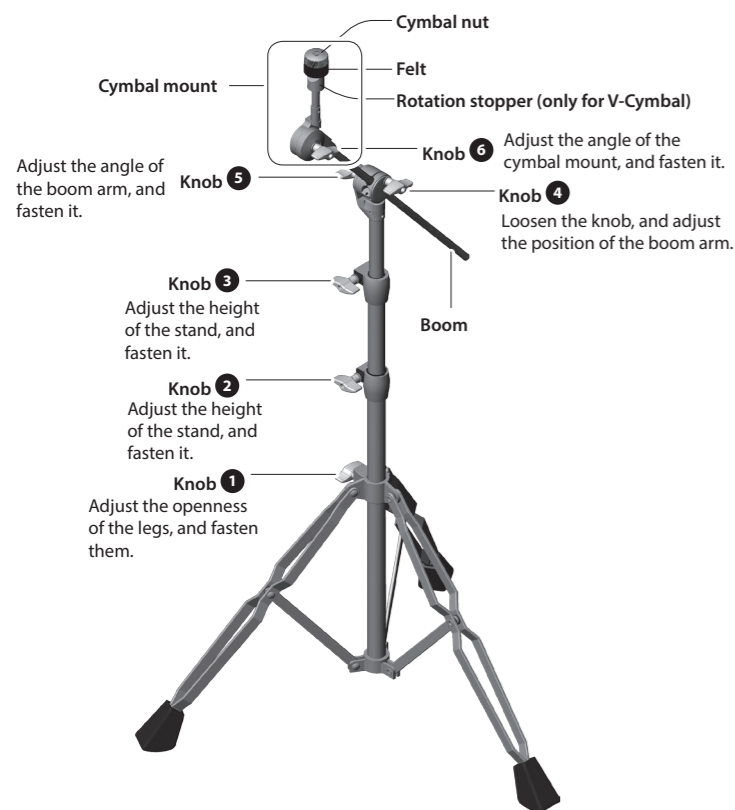
<http://roland.cm/service>



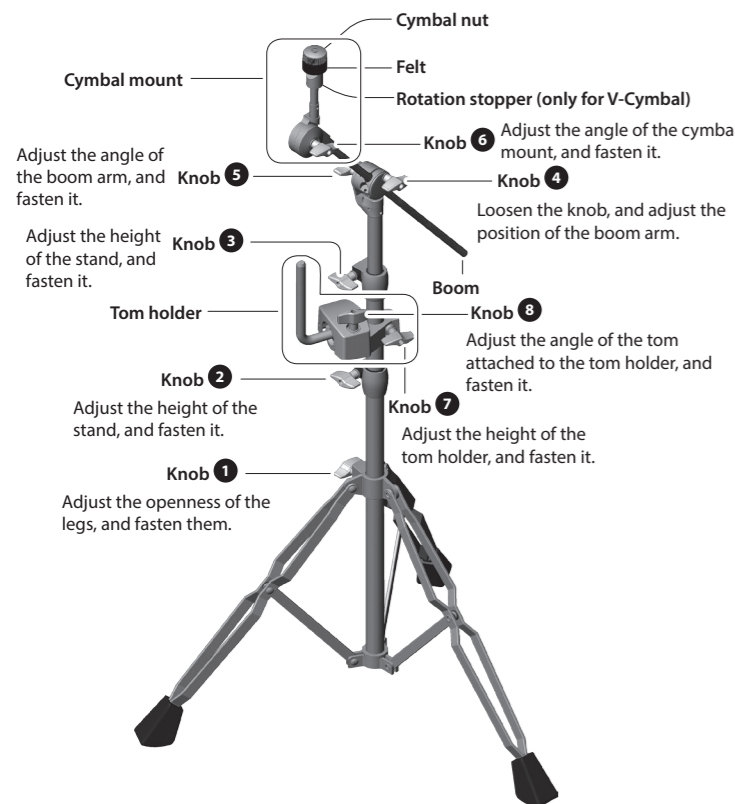
Setting Up

Set up the stand as shown in the illustration.

DBS-10



DCS-10



Caution when setting up

- The tips of the cymbal mount and tom holder are sharp. Handle them with care.
- When setting up or storing the stand, be careful not to pinch the fingers you use to handle the stand.
- When setting up, ensure that the tripod of the stand is sufficiently open. If the tripod is insufficiently open, the appropriate degree of stability might not be obtained.
- If you are using the boom arm in a significantly extended position, stability will improve if the cymbal is directly above one of the tripod legs.
- Likewise, when attaching the tom to the tom holder, stability will improve if the tom is directly above one of the tripod legs.
- When you loosen a knob to adjust the height or angle of a tom or cymbal, the pipe or pad might drop and pinch your fingers. Use one hand to support the tom or pipe while you slowly loosen the knob.
- To prevent the stand from tipping over or falling, tighten the knobs until there is no looseness. When tightening knob **5** or knob **6**, ensure that the gears that maintain the angle are firmly meshed.

Main Specifications

Roland DBS-10: Drum Boom Stand

Weight	4.4 kg / 9 lbs 12 oz
Accessories	Cable ties, Owner's Manual

Roland DCS-10: Drum Combination Stand

Weight	5.2 kg / 11 lbs 8 oz
Accessories	Cable ties, Owner's Manual

* This document explains the specifications of the product at the time that the document was issued. For the latest information, refer to the Roland website.

USING THE UNIT SAFELY

INSTRUCTIONS FOR THE PREVENTION OF FIRE, ELECTRIC SHOCK, OR INJURY TO PERSONS

About ⚠ WARNING and ⚠ CAUTION Notices		About the Symbols	
⚠ WARNING	Used for instructions intended to alert the user to the risk of death or severe injury should the unit be used improperly.	⚠	The ⚠ symbol alerts the user to important instructions or warnings. The specific meaning of the symbol is determined by the design contained within the triangle. In the case of the symbol at left, it is used for general cautions, warnings, or alerts to danger.
⚠ CAUTION	Used for instructions intended to alert the user to the risk of injury or material damage should the unit be used improperly. * Material damage refers to damage or other adverse effects caused with respect to the home and all its furnishings, as well as domestic animals or pets.	ⓧ	The ⓧ symbol alerts the user to items that must never be carried out (are forbidden). The specific thing that must not be done is indicated by the design contained within the circle. In the case of the symbol at left, it means that the unit must never be disassembled.
		Ⓜ	The Ⓜ symbol alerts the user to things that must be carried out. The specific thing that must be done is indicated by the design contained within the circle. In the case of the symbol at left, it means that the power-cord plug must be unplugged from the outlet.

ALWAYS OBSERVE THE FOLLOWING

- ⚠ WARNING**
Do not disassemble or modify by yourself
 Do not carry out anything unless you are instructed to do so in the owner's manual. Otherwise, you risk causing malfunction.
- ⚠ CAUTION**
Do not repair or replace parts by yourself
 Be sure to contact your dealer, a Roland service center, or an official Roland dealer. For a list of Roland service centers and official Roland dealers, refer to the Roland website.
- ⚠ CAUTION**
Do not use or store in the following types of locations
 - Subject to temperature extremes (e.g., direct sunlight in an enclosed vehicle, near a heating duct, on top of heat-generating equipment); or are
 - Damp (e.g., baths, washrooms, on wet floors); or are
 - Exposed to steam or smoke; or are
 - Subject to salt exposure; or are
 - Exposed to rain; or are
 - Dusty or sandy; or are
 - Subject to high levels of vibration and shakiness; or are
 - Placed in a poorly ventilated location.
- ⚠ CAUTION**
Do not place in an unstable location
 Otherwise, you risk injury as the result of the unit toppling over or dropping down.
- ⚠ CAUTION**
Be cautious to protect children from injury
 It is dangerous to carelessly approach a drum set. The drum set and the stands are heavy, and use many metal parts that have sharp protrusions. A person who approaches carelessly might accidentally bump, catch, or trip themselves. Additionally, if the drum set or stand falls over, it might scratch musical instruments or furniture. Take particular care not to allow children to play near a drum set.
- ⚠ CAUTION**
Do not drop or subject to strong impact
 Otherwise, you risk causing damage or malfunction.
- ⚠ CAUTION**
Tighten screws firmly
 To prevent the stand from tipping or falling down during playback, make sure that all screws are firmly tightened. When adjusting the angle of a component equipped with a gear, such as a cymbal mount, make sure that the gears are correctly engaged when you tighten them. If you forcibly tighten a screw when its gears are not meshed, vibration during performance might cause the cymbal or other item to fall.
- ⚠ CAUTION**
Insert pipes securely before fastening them
 It is dangerous to fasten a pipe that is nearly pulled out of the stand. Verify that the pipe is securely inserted into the pipe holder, and then turn the knob to fasten it.
- ⚠ CAUTION**
Use only stand manufactured by Roland
 This stand for use only with specific Roland musical instruments. See apparatus instructions. Use with other models is capable of resulting in instability causing possible injury.
- ⚠ CAUTION**
Evaluate safety issues before using stands
 Even if you observe the precautions listed in this owner's manual, it is possible for the stand to fall over depending on the conditions of use. Check the entire setup for safety before use.
- ⚠ CAUTION**
Route all power cords and cables in such a way as to prevent them from getting entangled
 Injury could result if someone were to trip on a cable and cause the unit to fall or topple.
- ⚠ CAUTION**
Disconnect all cords/cables before moving the unit
 Damage or malfunction may result if you fail to disconnect all cables before moving the unit.
- ⚠ CAUTION**
Take care so as not to get fingers pinched
 When handling the following moving parts, take care so as not to get fingers, toes, etc., pinched. Whenever a child uses the unit, an adult should be on hand to provide supervision and guidance.
 - Legs
 - Knobs
 - Tom holders
- ⚠ CAUTION**
Keep small items out of the reach of children
 To prevent accidental ingestion of the parts listed below, always keep them out of the reach of small children.
 - Included Parts
Cable ties
 - Removable Parts
Screws, washers, nuts, felts, springs, knobs, cymbal nuts, rotation stoppers

IMPORTANT NOTES

- Placement**
 - Depending on the material and temperature of the surface on which you place the unit, its rubber feet may discolor or mar the surface.
- Maintenance**
 - Never use benzine, thinners, alcohol or solvents of any kind, to avoid the possibility of discoloration and/or deformation.
 - If cleaning is necessary, wipe with a soft dry cloth.
- Intellectual Property Right**
 - Roland is either a registered trademark or a trademark of Roland Corporation in the United States and/or other countries.
 - Company names and product names appearing in this document are registered trademarks or trademarks of their respective owners.

Roland Service Centers and Distributors

When you need repair service, access this URL and find your nearest Roland Service Center or authorized Roland distributor in your country.

<http://roland.cm/service>

V-CYMBAL RIDE **CY-13R**
V-CYMBAL CRASH **CY-12C**

Owner's Manual

Before using this unit, carefully read the sections entitled: **“USING THE UNIT SAFELY”** and **“IMPORTANT NOTES”** (p. 2; p. 3). These sections provide important information concerning the proper operation of the unit. Additionally, in order to feel assured that you have gained a good grasp of every feature provided by your new unit, Owner's manual should be read in its entirety. The manual should be saved and kept on hand as a convenient reference.



USING THE UNIT SAFELY

INSTRUCTIONS FOR THE PREVENTION OF FIRE, ELECTRIC SHOCK, OR INJURY TO PERSONS

About ⚠ WARNING and ⚠ CAUTION Notices

⚠ WARNING	Used for instructions intended to alert the user to the risk of death or severe injury should the unit be used improperly.
⚠ CAUTION	Used for instructions intended to alert the user to the risk of injury or material damage should the unit be used improperly. * Material damage refers to damage or other adverse effects caused with respect to the home and all its furnishings, as well to domestic animals or pets.

About the Symbols

	The ⚠ symbol alerts the user to important instructions or warnings. The specific meaning of the symbol is determined by the design contained within the triangle. In the case of the symbol at left, it is used for general cautions, warnings, or alerts to danger.
	The symbol alerts the user to items that must never be carried out (are forbidden). The specific thing that must not be done is indicated by the design contained within the circle. In the case of the symbol at left, it means that the unit must never be disassembled.
	The symbol alerts the user to things that must be carried out. The specific thing that must be done is indicated by the design contained within the circle. In the case of the symbol at left, it means that the power-cord plug must be unplugged from the outlet.

ALWAYS OBSERVE THE FOLLOWING

WARNING

- Do not open or perform any internal modifications on the unit.
- Do not attempt to repair the unit, or replace parts within it (except when this manual provides specific instructions directing you to do so). Refer all servicing to your retailer, the nearest Roland Service Center, or an authorized Roland distributor, as listed on the "Information" page.
- Never install the unit in any of the following locations.
 - Subject to temperature extremes (e.g., direct sunlight in an enclosed vehicle, near a heating duct, on top of heat-generating equipment); or are
 - Damp (e.g., baths, washrooms, on wet floors); or are
 - Exposed to steam or smoke; or are
 - Subject to salt exposure; or are
 - Humid; or are
 - Exposed to rain; or are
 - Dusty or sandy; or are
 - Subject to high levels of vibration and shakiness.

- This unit should be used only with a stand (MDS series) that is recommended by Roland.
- When using the unit with a stand (MDS series) recommended by Roland, the stand (MDS series) must be carefully placed so it is level and sure to remain stable. If not using a stand (MDS series), you still need to make sure that any location you choose for placing the unit provides a level surface that will properly support the unit, and keep it from wobbling.

WARNING

- Never allow foreign objects (e.g., flammable objects, coins, wires) or liquids (e.g., water or juice) to enter this product. Doing so may cause short circuits, faulty operation, or other malfunctions.
- In households with small children, an adult should provide supervision until the child is capable of following all the rules essential for the safe operation of the unit.
- Protect the unit from strong impact. (Do not drop it!)

CAUTION

- Try to prevent cords and cables from becoming entangled. Also, all cords and cables should be placed so they are out of the reach of children.
- Never climb on top of, nor place heavy objects on the unit.
- Should you remove the stopper bolt, keep them in a safe place out of children's reach, so there is no chance of them being swallowed accidentally.

IMPORTANT NOTES

Placement

- Do not expose the unit to direct sunlight, place it near devices that radiate heat, leave it inside an enclosed vehicle, or otherwise subject it to temperature extremes. Excessive heat can deform or discolor the unit.
- When moved from one location to another where the temperature and/or humidity is very different, water droplets (condensation) may form inside the unit. Damage or malfunction may result if you attempt to use the unit in this condition. Therefore, before using the unit, you must allow it to stand for several hours, until the condensation has completely evaporated.
- Do not allow rubber, vinyl, or similar materials to remain on this unit for long periods of time. Such objects can discolor or otherwise harmfully affect the finish.

Maintenance

- For everyday cleaning wipe the unit with a soft, dry cloth or one that has been slightly dampened with water. To remove stubborn dirt, use a cloth impregnated with a mild, non-abrasive detergent. Afterwards, be sure to wipe the unit thoroughly with a soft, dry cloth.
- Never use benzine, thinners, alcohol or solvents of any kind, to avoid the possibility of discoloration and/or deformation.

Additional Precautions

- Use a reasonable amount of care when using the output jacks. Rough handling can lead to malfunctions.
- When connecting / disconnecting all cables, grasp the connector itself—never pull on the cable. This way you will avoid causing shorts, or damage to the cable's internal elements.
- To avoid disturbing your neighbors, try to keep the unit's volume at reasonable levels. You may prefer to use headphones, so you do

not need to be concerned about those around you.





- This instrument is designed to minimize the extraneous sounds produced when it's played. However, since sound vibrations can be transmitted through floors and walls to a greater degree than expected, take care not to allow these sounds to become a nuisance to neighbors, especially when using headphones.
- When you need to transport the unit, package it in the box (including padding) that it came in, if possible. Otherwise, you will need to use equivalent packaging materials.
- The rubber portion of the striking surface is treated with a preservative to maintain its performance. With the passage of time, this preservative may appear on the surface as a white stain, or reveal how the pads were struck during product testing. This does not affect the performance or functionality of the product, and you may continue using it with confidence.
- Continuous playing may cause dis-coloration of the pad, but this will not affect the Pad's function.
- Roland, V-Drums, and V-CYMBALS are registered trademarks of Roland Corporation in the United States and/or other countries.

• All product names mentioned in this document are trademarks or registered trademarks of their respective owners.





Getting Started

What's in the Package

CY-13R (Ride)

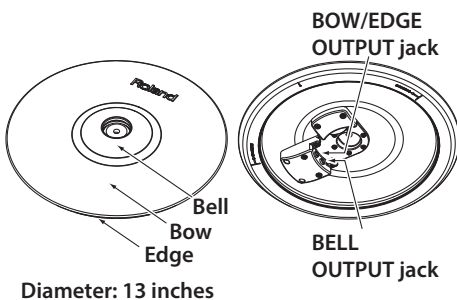
- CY-13R Cymbal pad
- Wing nut 
- Felt washer 
- Stopper 
- Connection cable (stereo) x 2
- Cable tie 
- Owner's manual (this document)

CY-12C (Crash)

- CY-12C Cymbal pad
- Wing nut 
- Felt washer 
- Stopper 
- Connection cable (stereo)
- Cable tie 
- Owner's manual (this document)

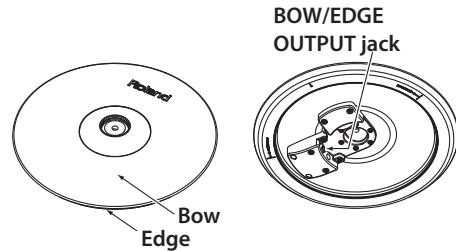
Definitions & Names of Parts

CY-13R



* The CY-13R is not capable of detecting the striking position. If you're using a Roland percussion sound module that is capable of detecting the striking position, you'll need to set the ride's Position Ctrl to OFF. For details on how to make the setting, refer to the owner's manual that came with your percussion sound module.

CY-12C



* The CY-12C has no BOW/BELL OUTPUT jack.

Diameter: 12 inches

Main Specifications

CY-13R (Ride)

Size	13 inches
Trigger	3 (Bow/Bell/Edge)
Connectors	BELL OUTPUT jack, BOW/EDGE OUTPUT jack
Dimensions	331 (W) x 331 (D) x 48 (H) mm 13-1/16 (W) x 13-1/16 (D) x 1-15/16 (H) inches
Weight	1.1 kg / 2 lbs 7 oz
Accessories	Owner's manual, Wing nut, Felt washer, Stopper, Connection cable (stereo) x 2, Cable tie
Options	Cymbal mount (MDY series) Cymbal parts set (CYM-10) Drum stands (MDS series)

CY-12C (Crash)

Size	12 inches
Trigger	2 (Bow/Edge)
Connectors	BOW/EDGE OUTPUT jack
Dimensions	305 (W) x 305 (D) x 45 (H) mm 12-1/16 (W) x 12-1/16 (D) x 1-13/16 (H) inches
Weight	940 g / 2 lbs 2 oz
Accessories	Owner's manual, Wing nut, Felt washer, Stopper, Connection cable (stereo), Cable tie
Options	Cymbal mount (MDY series) Cymbal parts set (CYM-10) Drum stands (MDS series)

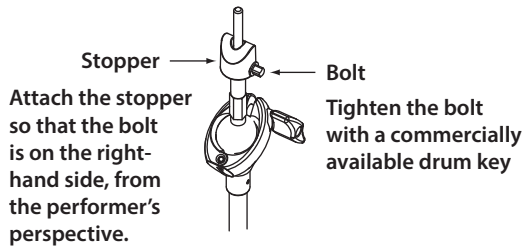
* In the interest of product improvement, the specifications and/or appearance of this unit are subject to change without prior notice.

Making the Settings

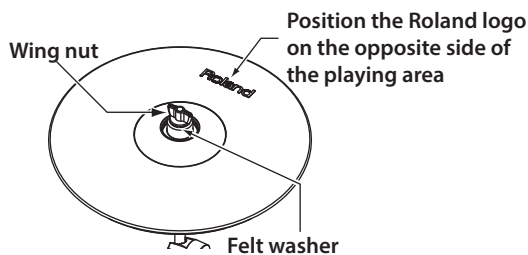
Mounting on the Stand

1. Use a commercially available drum key to tighten the stopper bolt.

The stopper keeps the V-Cymbal from turning, preventing the tangling of cables on the stand.



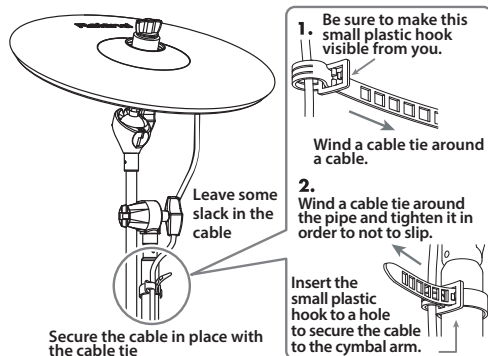
2. Attach the V-Cymbal, while positioning it so the Roland logo is located on the side opposite the performer.



3. Tighten the included felt washer and the wing nut to obtain the desired movement.

- * Use the included felt washer and wing nut.
- * Double sounding may occur if the wing nut is loose.

4. Secure the cables in place with the cable tie, and leave some slack in the cables to ensure they are not pulled by the movement of the V-Cymbal pads.



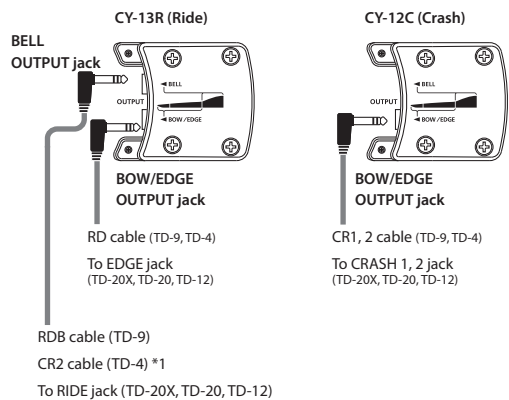
- * Take care to ensure that the cables do not touch the V-Cymbal pads and/or the stand. A cable touching a V-Cymbal pad or a stand may cause double sounding or other incorrect operation.

Connecting to a Percussion Sound Module

- * To prevent malfunction and/or damage to speakers or other devices, always turn down the volume, and turn off the power on all devices before making any connections.
- * Use the supplied connection cables (stereo) to make the connections. If monaural cables are used, edge shots, bell shots, and choke play cannot be supported.

Connect the L-shaped plug of the included cable to the CY-13R/12C.

The CY-12C has no BELL OUTPUT jack. Make the connection to the BOW/EDGE OUTPUT jack.



*1 Set the Crash 2 Usage parameter to "RIDE BELL."

About three-way triggering (CY-13R only)

The CY-13R can take advantage of your percussion sound module's three-way triggering functionality to allow you to play bow, bell, and edge separately.

Connect the two outputs BOW/BELL and BOW/EDGE to the percussion sound module at the same time.

For details on the connection method and settings, refer to the owner's manual for your percussion sound module.

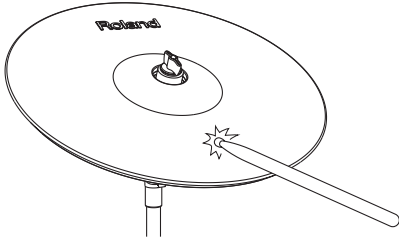
- * If you won't be using the three-way triggering functionality, connect the BOW/EDGE OUTPUT jack (not both) to your percussion sound module.
- * Although you'll be able to play using the bow and bell sections when connected to the BELL OUTPUT jack, you won't be able to use the choking technique.

Playing Methods

Bow Shot

This is the most common playing method, playing the middle area of the cymbal.

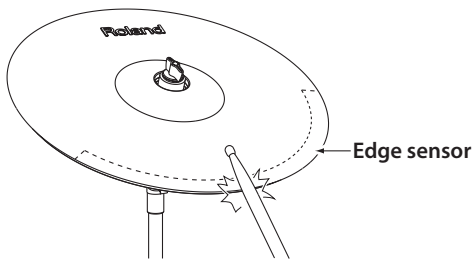
It corresponds to the sound of the **“head-side”** of the connected trigger input.



Edge Shot

This playing method involves striking the edge with the shoulder of the stick.

When played as shown in the figure, the **“rim-side”** sound of the connected input is triggered.



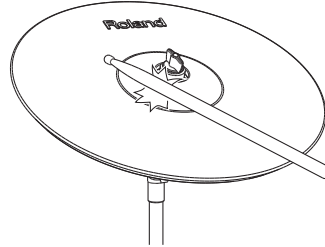
* On the CY-13R, edge shots are possible when the connection is made to the BOW/EDGE OUTPUT jack.

Bell Shot (CY-13R Only)

This playing method involves striking the bell.

On the CY-13R, when played as shown in the figure, the **“rim-side”** sound of the connected input is triggered.

Strike the bell somewhat strongly with the shoulder of the stick.



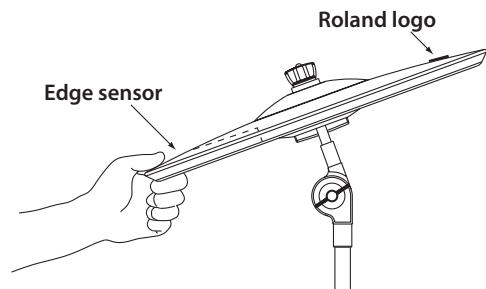
* Bell shots are possible when the connection is made to the CY-13R's BELL output.

* On the CY-12C, bell shots are not supported.

Choke Play

Choking (pinching) the cymbal's edge with the hand immediately after hitting the cymbal makes the sound stop.

Choke the location of the edge sensor shown in the figure. If you choke an area where there is no sensor, the sound does not stop.



* When ONLY using the BELL output of the CY-13R, the choke function will not work.

Trigger Parameter Settings for the Percussion Sound Module

Recommended Settings for the Trigger Parameters

These are the recommended trigger parameter settings when using the V-Cymbal with various models of sound module. You may need to adjust the trigger parameters depending on how you've attached the V-Cymbal and the location at which you've installed it.

* In order to use three-way triggering with the CY-13R, you must make settings on your percussion sound module to use its three-way triggering functionality. For details on the procedure, refer to the owner's manual for your percussion sound module.

TD series, SPD-30, SPD-SX, HPD-20

	CY-12C	CY-13R
Trig Type	CY12C	CY13R

HPD-10

	CY-12C	CY-13R
Type	CY-12/14	

For EU Countries



- UK** This symbol indicates that in EU countries, this product must be collected separately from household waste, as defined in each region. Products bearing this symbol must not be discarded together with household waste.
- DE** Dieses Symbol bedeutet, dass dieses Produkt in EU-Ländern getrennt vom Hausmüll gesammelt werden muss gemäß den regionalen Bestimmungen. Mit diesem Symbol gekennzeichnete Produkte dürfen nicht zusammen mit dem Hausmüll entsorgt werden.
- FR** Ce symbole indique que dans les pays de l'Union européenne, ce produit doit être collecté séparément des ordures ménagères selon les directives en vigueur dans chacun de ces pays. Les produits portant ce symbole ne doivent pas être mis au rebut avec les ordures ménagères.
- IT** Questo simbolo indica che nei paesi della Comunità europea questo prodotto deve essere smaltito separatamente dai normali rifiuti domestici, secondo la legislazione in vigore in ciascun paese. I prodotti che riportano questo simbolo non devono essere smaltiti insieme ai rifiuti domestici. Ai sensi dell'art. 13 del D.Lgs. 25 luglio 2005 n. 151.
- ES** Este símbolo indica que en los países de la Unión Europea este producto debe recogerse aparte de los residuos domésticos, tal como está regulado en cada zona. Los productos con este símbolo no se deben depositar con los residuos domésticos.
- PT** Este símbolo indica que nos países da UE, a recolha deste produto deverá ser feita separadamente do lixo doméstico, de acordo com os regulamentos de cada região. Os produtos que apresentem este símbolo não deverão ser eliminados juntamente com o lixo doméstico.
- NL** Dit symbool geeft aan dat in landen van de EU dit product gescheiden van huishoudelijk afval moet worden aangeboden, zoals bepaald per gemeente of regio. Producten die van dit symbool zijn voorzien, mogen niet samen met huishoudelijk afval worden verwijderd.
- DK** Dette symbol angiver, at i EU-lande skal dette produkt opsamles adskilt fra husholdningsaffald, som defineret i hver enkelt region. Produkter med dette symbol må ikke smides ud sammen med husholdningsaffald.
- NO** Dette symbolet indikerer at produktet må behandles som spesialavfall i EU-land, iht. til retningslinjer for den enkelte regionen, og ikke kastes sammen med vanlig husholdningsavfall. Produkter som er merket med dette symbolet, må ikke kastes sammen med vanlig husholdningsavfall.

- SE** Symbolen anger att i EU-länder måste den här produkten kasseras separat från hushållsavfall, i enlighet med varje regions bestämmelser. Produkter med den här symbolen får inte kasseras tillsammans med hushållsavfall.
- FI** Tämä merkintä ilmaisee, että tuote on EU-maissa kerättävä erillään kotitalousjätteistä kunkin alueen voimassa olevien määräysten mukaisesti. Tällä merkinnällä varustettuja tuotteita ei saa hävittää kotitalousjätteiden mukana.
- HU** Ez a szimbólum azt jelenti, hogy az Európai Unióban ezt a terméket a háztartási hulladéktól elkülönítve, az adott régióban érvényes szabályozás szerint kell gyűjteni. Az ezzel a szimbólummal ellátott termékeket nem szabad a háztartási hulladék közé dobni.
- PL** Symbol oznacza, że zgodnie z regulacjami w odpowiednim regionie, w krajach UE produktu nie należy wyrzucać z odpadami domowymi. Produktów opatrzonych tym symbolem nie można utylizować razem z odpadami domowymi.
- CZ** Tento symbol udává, že v zemích EU musí být tento výrobek sbírán odděleně od domácího odpadu, jak je určeno pro každý region. Výrobky nesoucí tento symbol se nesmí vyhadzovat spolu s domácím odpadem.
- SK** Tento symbol vyjadruje, že v krajinách EÚ sa musí zber tohto produktu vykonávať oddelene od domového odpadu, podľa nariadení platných v konkrétnej krajine. Produkty s týmto symbolom sa nesmú vyhazovať spolu s domovým odpadom.
- EE** See sümbol näitab, et EL-i maades tuleb see toode olemprügist eraldi koguda, nii nagu on igas piirkonnas määratletud. Selle sümboliga märgitud tooteid ei tohi ära visata koos omeprügiga.
- LT** Šis simbolis rodo, kad ES šalyse šis produktas turi būti surenkamas atskirai nuo buitinių atliekų, kaip nustatyta kiekviename regione. Šiuo simboliu paženklinoti produktai neturi būti išmetami kartu su buitiniems atliekomis.
- LV** Šis simbols norāda, ka ES valstīs šo produktu jāievāc atsevišķi no mājsaimniecības atkritumiem, kā noteikts katrā reģionā. Produkts ar šo simbolu nedrīkst izmest kopā ar mājsaimniecības atkritumiem.
- SI** Ta simbol označuje, da je treba proizvod v državah EU zbirati ločeno od gospodinskih odpadkov, tako kot je določeno v vsaki regiji. Proizvoda s tem znakom ni dovoljeno odlagati skupaj z gospodinskimi odpadki.
- GR** Το σύμβολο αυτό υποδηλώνει ότι στις χώρες της Ε.Ε. το συγκεκριμένο προϊόν πρέπει να συλλέγεται χωριστά από τα υπόλοιπα οικιακά απορρίμματα, σύμφωνα με όσα προβλέπονται σε κάθε περιοχή. Τα προϊόντα που φέρουν το συγκεκριμένο σύμβολο δεν πρέπει να απορρίπτονται μαζί με τα οικιακά απορρίμματα.

For China

有关产品中所含有害物质的说明

本资料就本公司产品中所含的特定有害物质及其安全性予以说明。
本资料适用于2007年3月1日以后本公司所制造的产品。

环保使用期限



此标志适用于在中国国内销售的电子信息产品，表示环保使用期限的年数。所谓环保使用期限是指在自制造日起的规定期限内，产品中所含的有害物质不致引起环境污染，不会对人身、财产造成严重的不良影响。
环保使用期限仅在遵照产品使用说明书，正确使用产品的条件下才有效。
不当的使用，将会导致有害物质泄漏的危险。

产品中有害物质的名称及含量

部件名称	有害物质					
	铅 (Pb)	汞 (Hg)	镉 (Cd)	六价铬 (Cr(VI))	多溴联苯 (PBB)	多溴二苯醚 (PBDE)
外壳(壳体)	×	○	○	○	○	○
电子部件(印刷电路板等)	×	○	×	○	○	○
附件(电源线、交流适配器等)	×	○	○	○	○	○

本表格依据SJ/T 11364的规定编制。
○：表示该有害物质在该部件所有均质材料中的含量均在GB/T 26572 规定的限量要求以下。
×：表示该有害物质至少在该部件的某一均质材料中的含量超出GB/T 26572的限量要求。
(企业可在此处，根据实际情况对上表中打“×”的技术原因进行进一步说明。)

For EU Countries

Manufacturer: Roland Corporation
2036-1 Nakagawa, Hosoe-cho, Kita-ku, Hamamatsu, Shizuoka 431-1304, JAPAN

Importer: Roland Corporation
ENA 23 Zone 1 nr. 1620 Klaus-Michael Kuehnelaan 13, 2440 Geel, BELGIUM



For the U.K.

Manufacturer: Roland Corporation
2036-1 Nakagawa, Hosoe-cho, Kita-ku, Hamamatsu, Shizuoka 431-1304, JAPAN

Importer: Roland Europe Group Limited
Hive 2, 1530 Arlington Business Park, Theale, Reading, Berkshire. RG7 4SA United Kingdom



Roland Service Centers and Distributors

When you need repair service, access this URL and find your nearest Roland Service Center or authorized Roland distributor in your country.

<https://roland.cm/service>

