

PL 82EN

TWO-WAY CEILING SPEAKER FIRE DOME

DESCRIPTION

PL 82EN is a two-way ceiling speaker featuring a flameproof steel back can, designed for recess installation into ceilings or panels. It is especially suitable for broadcasting alarm messages thanks to the highly intelligible sound reproduction and its resistance to high temperatures reached during fires. The terminal connection blocks, for input and output flameproof cables, are made of ceramic material. A thermal fuse protects the integrity of the line in case of heat affecting the speaker. Ground screw available (if needed). Cables inside speaker made using flameproof leads.



FEATURES

- 8" coaxial woofer with 0.75" dome tweeter.
- Power selectable (100 V): 20 W – 10 W – 5 W.
- 94 dB sensitivity.
- Colour white RAL 9016.
- Steel frame, grille and back can.
- In/out ceramic terminal block.
- Thermal fuse protection.

TECHNICAL SPECIFICATIONS

Acoustical specifications	Frequency Response (-10dB):	130 Hz ÷ 20000 Hz
	Max SPL @ 1m:	106 dB
	Max SPL @ 4m:	94 dB
	Coverage angle:	160°
	System Sensitivity:	94 dB
	System Sensitivity 1W @ 4m:	82 dB
Power section	Power Handling:	20 W RMS
	Peak Power Handling:	80 W PEAK
	Recommended Amplifier:	40 W
	Protections:	Thermal fuse
Transducers	Dome Tweeter:	0.75"
	Woofers:	Coaxial 8"
Input/Output section	Input connectors:	Ceramic screw terminals
	Output connectors:	Ceramic screw terminals
	Constant Voltage Transformer:	100 V
	Power selection 1:	20 W - 500 ohm
	Power selection 2:	10 W - 1000 ohm
	Power selection 3:	5 W - 2000 ohm
Standard compliance	EN54-24 certified:	Yes
	CE marking:	Yes
	CPR number:	0068-CPR-051/2017
Physical specifications	Cabinet/Case Material:	Metal
	Hardware:	Steel back cover
	Grille:	Steel
	Color:	White - RAL 9016
Size	Depth:	152 mm / 5.98 inches
	Recessed Depth:	125 mm / 4.92 inches
	Diameter:	272 mm / 10.71 inches
	Cut out diameter:	240 mm / 9.45 inches
	Weight:	3.42 kg / 7.54 lbs
Shipping informations	Package Height:	180 mm / 7.09 inches
	Package Width:	300 mm / 11.81 inches
	Package Depth:	300 mm / 11.81 inches
	Package Weight:	3.42 kg / 7.54 lbs



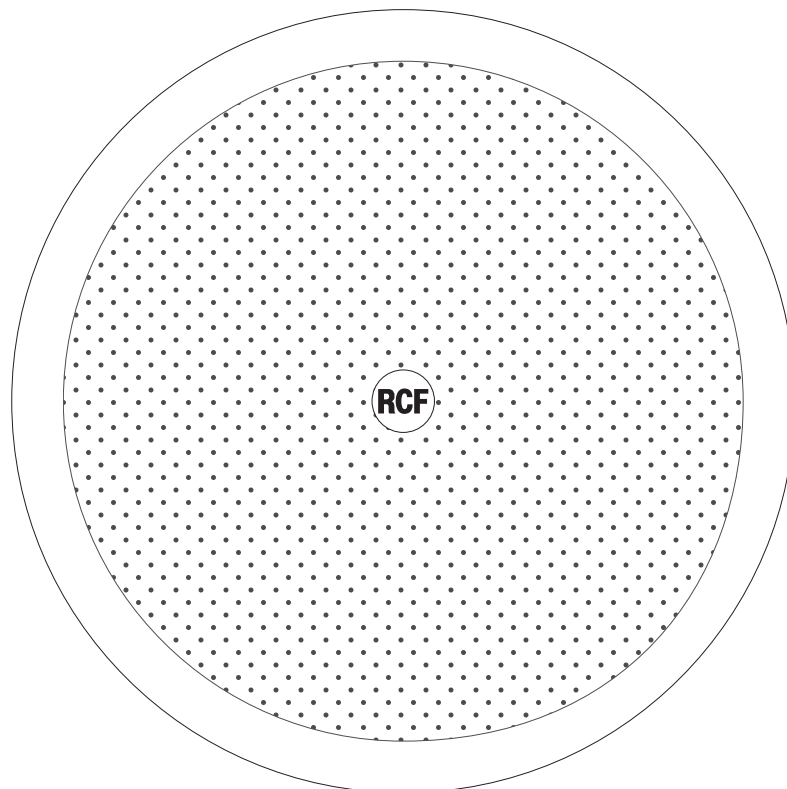
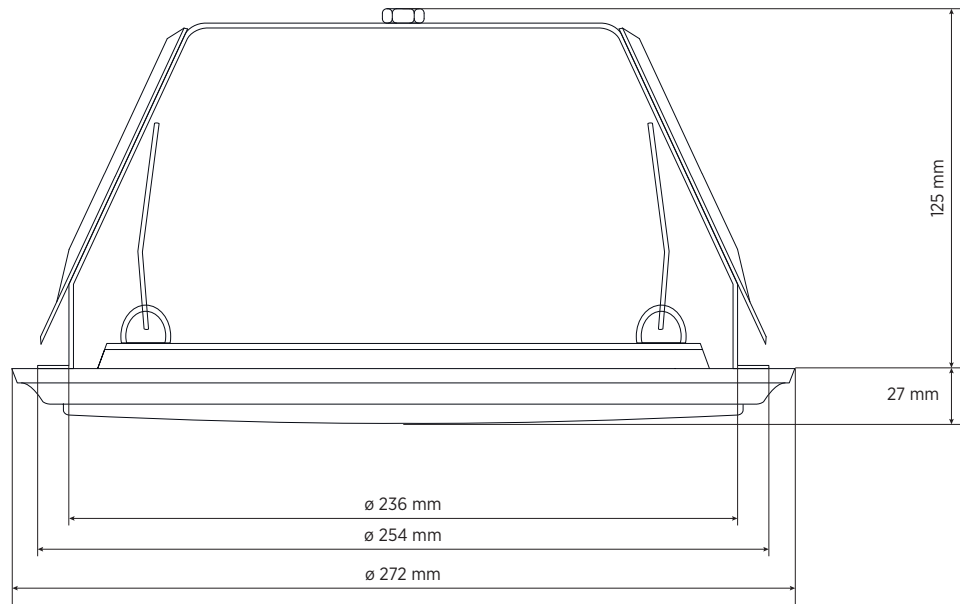
PART NUMBER

- **13100009**

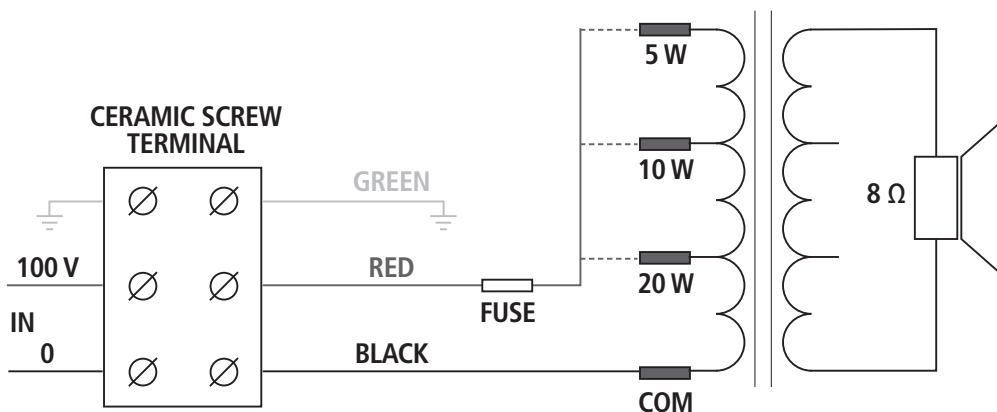
PL 82EN

EAN 8024530014407

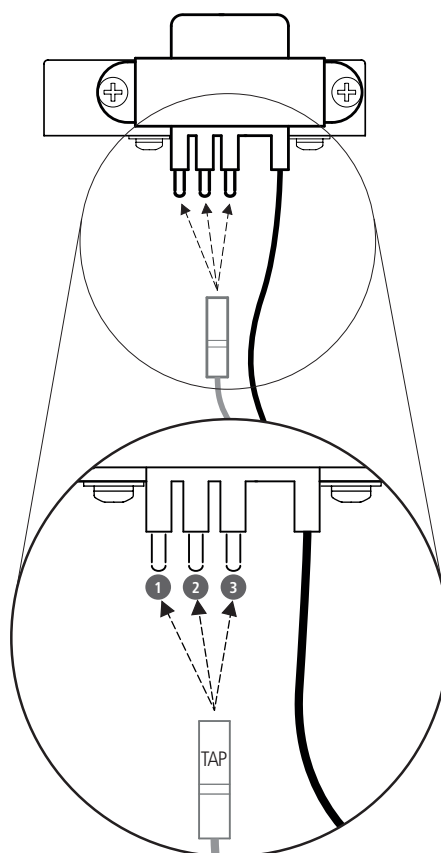
DRAWINGS

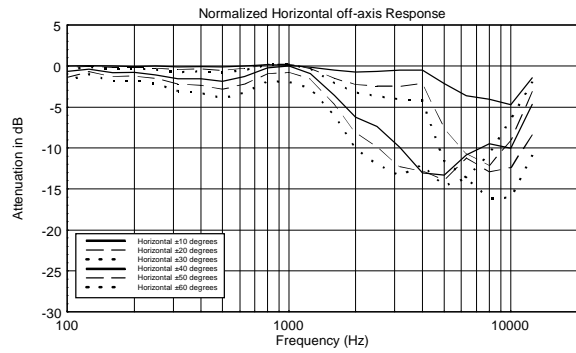
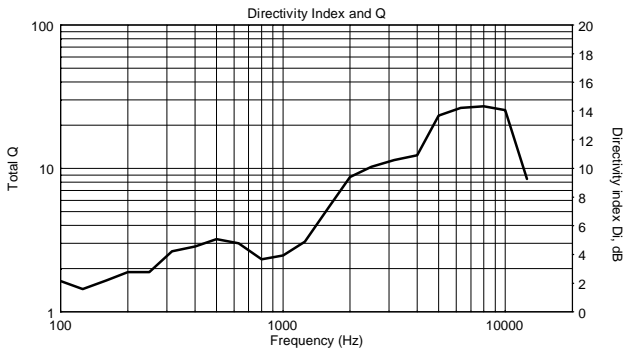
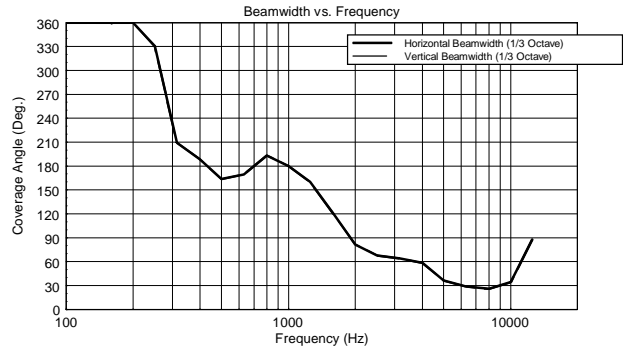
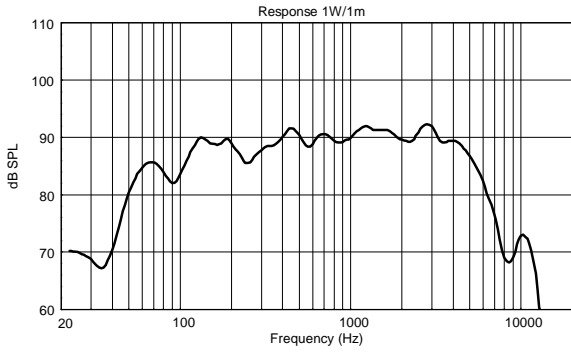


SCHEMATICS

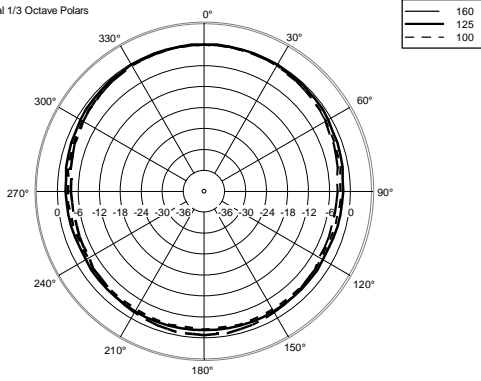


TAP (pins)	POWER (100 V)	POWER (70 V)
1	5 W	2.5 W
2	10 W	5 W
3	20 W	10 W

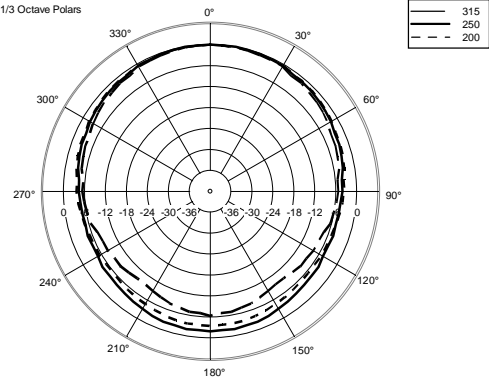




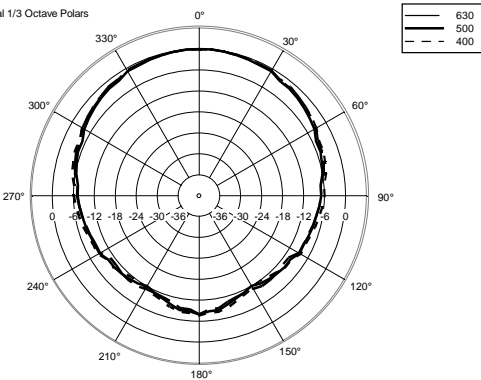
Horizontal 1/3 Octave Polars



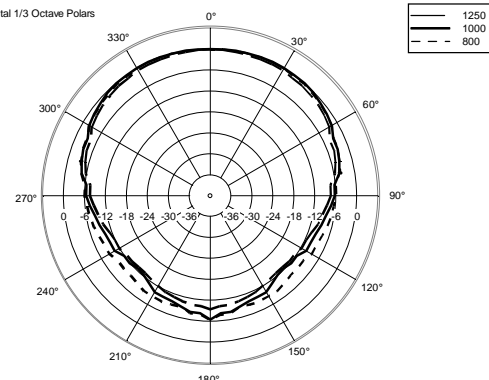
Horizontal 1/3 Octave Polars



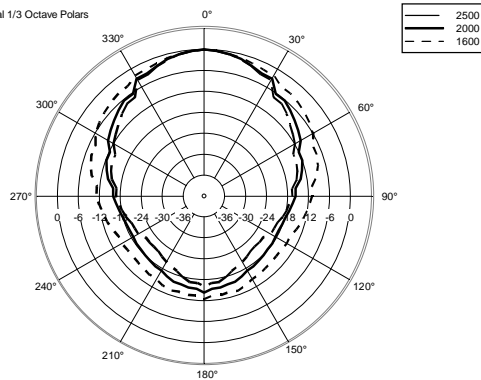
Horizontal 1/3 Octave Polars



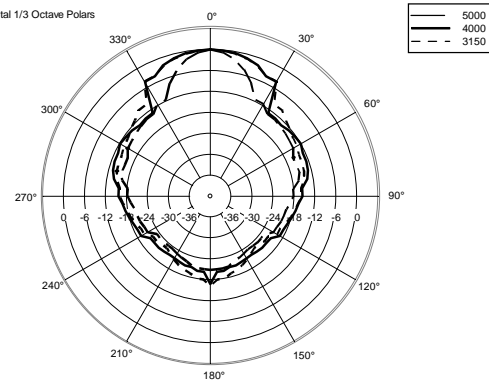
Horizontal 1/3 Octave Polars



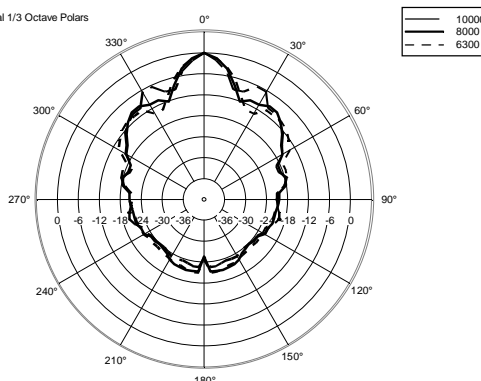
Horizontal 1/3 Octave Polars



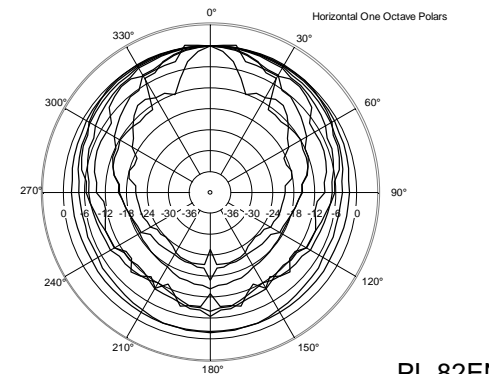
Horizontal 1/3 Octave Polars



Horizontal 1/3 Octave Polars



Horizontal One Octave Polars





ACCESSORIES

NOTES

NO CAUTION is NECESSARY in case of ALERTED PERSON for AUDIO voltages up to 120V, when warning symbols are present near the connection terminals. In the case of AUDIO voltages up to 71V, it is not even necessary to put warning symbols.
No need of linking to earth metal parts of speakers equipped with transformers and connected to 70.7 V / 100 V outputs of power amplifiers that do not have any reference to earth (ref. EN 62368-1 item 4.3.2.2), unless specific local requirements.
