

Model Number: TC8FD00-04
Product Line: Peerless Silver

Revision: Rev 1_0
Date: 10-May-11

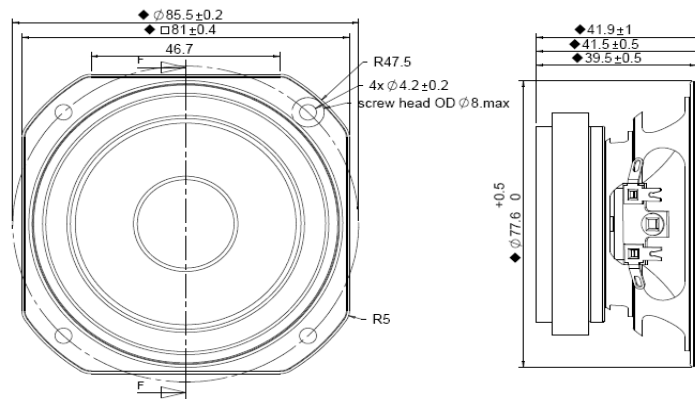


Product Description:

This TC family 3.0 inch 4 ohm full-range driver, with ferrite magnet, paper cone and rubber surround, and steel basket, is designed to be a cost-effective high performance full range driver. The cone utilizes Tymphany-patented PentaCut NRSC cone technology to help dampen and control cone resonances, optimizing the listening experience. The motor contains a copper cap to lower inductance and distortion. The product was designed with television and other compact applications in mind.



Mechanical 2D Drawing:

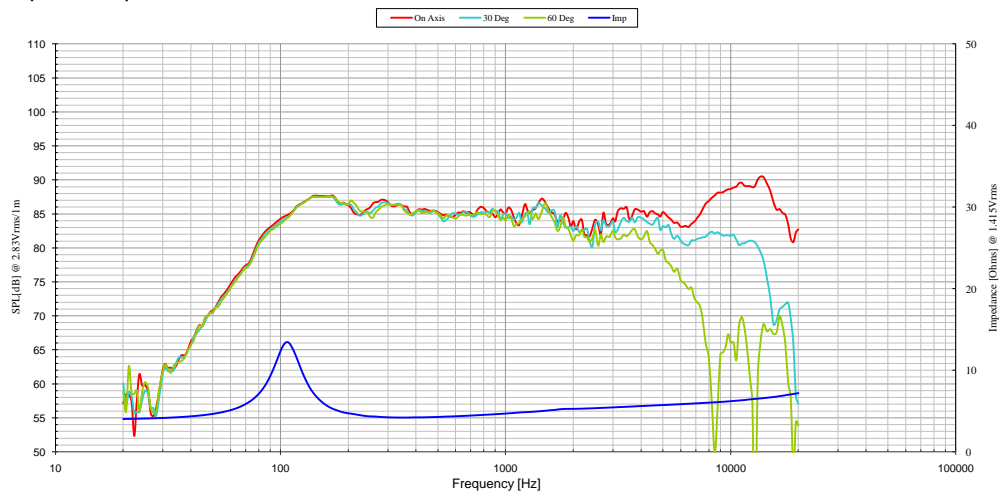


Specifications:

DC Resistance	R_{dc}	Ω	3.3	$\pm 7.5\%$	Energy Bandwidth Product	EBP	$(1/Q_{ms}) \cdot f_t$	102	
Minimum Impedance	Z_{min}	Ω	4.2	$\pm 7.5\%$	Moving Mass	M_{ms}	g	2.55	
Voice Coil Inductance	L_e	mH	0.03		Suspension Compliance	C_{ms}	um/N	637.3	
Resonant Frequency	f_s	Hz	125	$\pm 15\%$	Effective Cone Diameter	D	cm	6.5	
Mechanical Q Factor	Q_{ms}	-	3.7		Effective Piston Area	S_D	cm ²	33.2	
Electrical Q Factor	Q_{es}	-	1.23		Equivalent Volume	V_{as}	L	0.986	
Total Q Factor	Q_t	-	0.92		Motor Force Factor	BL	T·m	2.32	
Ratio f_s / Q_{ts}	F	f_s / Q_{ts}	136		Motor Efficiency Factor	β	$(T \cdot m^2) / \Omega$	1.63	
Half Space Sensitivity @ 2.83V	dB@2.83V/1m		dB	85.7	$\pm 1.0^1$	Voice Coil Former Material	VC _{fm}	-	ASV
Sensitivity @ 1W/1m	1W/1m		dB	81.8	$\pm 1.0^1$	Voice Coil Inner Diameter	VC _d	mm	19.4
Rated Noise Power (IEC 2685 18.1)	P	W	25		Gap Height	Gh	mm	4.0	
Test Spectrum Bandwidth	130Hz-20kHz		12 dB/Oct		Maximum Linear Excursion	X_{max}	mm	2.4	
					Ferrofluid Type	FF	-	N/A	
					Transducer Size	-	-	3 inch	
					Transducer Mass	-	Kg	0.3	

1 - Piston Band Sensitivity Tolerance

Frequency and Impedance Response:



F088-0713A