

Model Number: TC6FD00-04  
Product Line: Peerless Silver

Revision: Rev 1\_0  
Date: 17-May-10

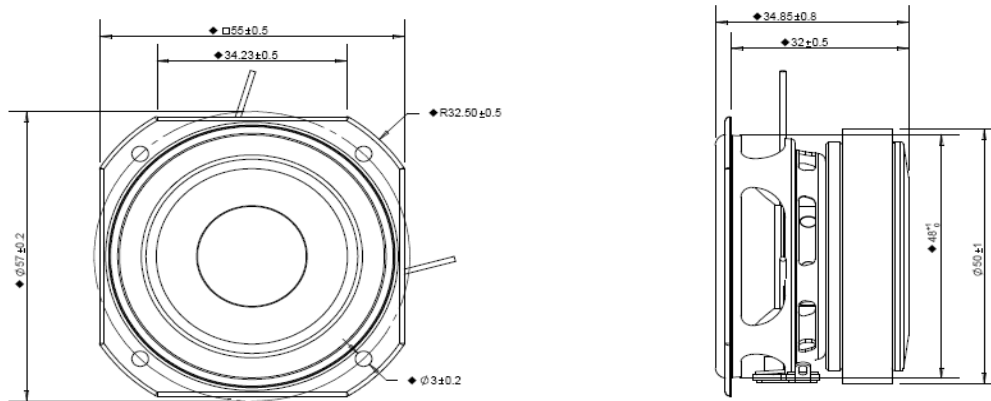


**Product Description:**

This TC family 2 inch 4 ohm full-range driver, with ferrite magnet, paper cone and rubber surround, and steel basket, is designed to be a cost-effective high performance full range driver. The cone utilizes Tymphany patented PentaCut NRSC cone technology to help dampen and control cone resonances, optimizing the listening experience. The motor contains a copper cap to lower inductance and distortion. The product was designed with television and other compact applications in mind.



**Mechanical 2D Drawing:**



**Specifications:**

DC Resistance	$R_{evc}$	$\Omega$	3.5	5.0%	Energy Bandwidth Product	EBP	$(1/Q_{es})f_s$	136
Minimum Impedance	$Z_{min}$	$\Omega$	4.09	7.5%	Moving Mass	$M_{ms}$	g	1.22
Voice Coil Inductance	$L_e$	mH	0.02		Suspension Compliance	$C_{ms}$	um/N	677.0
Resonant Frequency	$f_s$	Hz	175	15.0%	Effective Cone Diameter	D	cm	4.4
Mechanical Q Factor	$Q_{ms}$	-	4.1		Effective Piston Area	$S_D$	cm <sup>2</sup>	15.2
Electrical Q Factor	$Q_{es}$	-	1.29		Equivalent Volume	$V_{as}$	L	0.22
Total Q Factor	$Q_{ts}$	-	0.98		Motor Force Factor	BL	T·m	1.92
Ratio $f_s / Q_{ts}$	F	$f_s / Q_{ts}$	178		Motor Efficiency Factor	$\beta$	$(T \cdot m^2) / \Omega$	1.04
Half Space Sensitivity @ 2.83V	$dB @ 2.83V/1m$	dB	84.4	$\pm 1.0^1$	Voice Coil Former Material	$VC_m$	-	Aluminium
Sensitivity @ 1W/1m	$1W/1m$	dB	81.5	$\pm 1.0^1$	Voice Coil Inner Diameter	$VC_d$	mm	19.32
					Gap Height	Gh	mm	3.00
Rated Noise Power (IEC 2685 18.1)	P	W	15		Maximum Linear Excursion	$X_{max}$	mm	1.00
Test Spectrum Bandwidth	150Hz - 20kHz		12 dB/Oct		Ferrofluid Type	FF		N/A
					Transducer Size		inch	2.00
					Transducer Mass		kg	0.17

1 - Piston Band Sensitivity Tolerance

**Frequency and Impedance Response:**

