

Model Number: P830855  
Description: SDS 3.5" Midwoofer

Revision: Rev 1\_0  
Date: 19-Mar-10

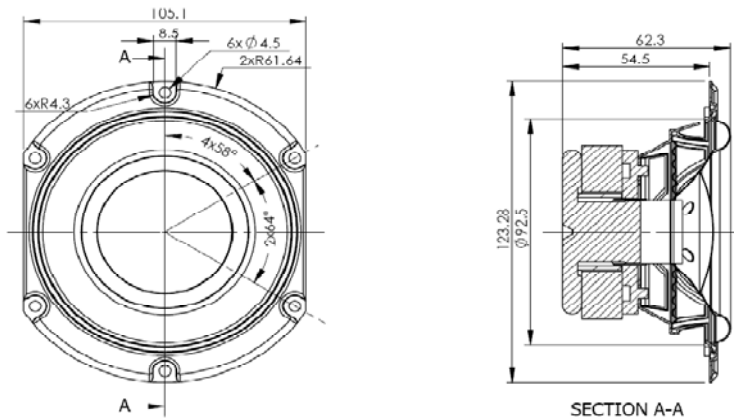


The Superior Dynamic Sounds (SDS) Series provides the smallest but highest-quality subwoofers in the industry today. Leveraging the best in Danish craftsmanship, but manufactured to be very affordable, these audio transducers are ideal for use in small surround sound systems, but can also be used in a wide variety of end user products and applications. The speakers in this line are combinable with subwoofers in the SLS line—for example, these two products work extremely well together in home theater solutions.

Driver Highlights: Coated paper cone, 26 mm coil, Glass fiber



### Mechanical 2D Drawing:



### Specifications:

DC Resistance	$R_{vc}$	$\Omega$	4.9	Energy Bandwidth Product	EBP	$(1/Q_{es}) \cdot f_s$	144
Minimum Impedance	$Z_{min}$	$\Omega$	6.35	Moving Mass	$M_{ms}$	g	6.65
Voice Coil Inductance	$L_e$	mH	0.04	Suspension Compliance	$C_{ms}$	um/N	952.4
Resonant Frequency	$f_s$	Hz	63	Effective Cone Diameter	D	cm	8.0
Mechanical Q Factor	$Q_{ms}$	-	4.5	Effective Piston Area	$S_D$	cm <sup>2</sup>	50.3
Electrical Q Factor	$Q_{es}$	-	0.44	Equivalent Volume	$V_{as}$	L	3.38
Total Q Factor	$Q_{ts}$	-	0.40	Motor Force Factor	BL	T·m	5.46
Ratio $f_s / Q_{ts}$	F	$f_s / Q_{ts}$	158	Motor Efficiency Factor	$\beta$	$(T \cdot m^2) / \Omega$	6.03
Half Space Sensitivity @ 2.83V	dB@2.83V/1m	dB	84.6	Voice Coil Former Material	VC <sub>fm</sub>	-	Glass fiber
Rated Noise Power (IEC 2685 18.1)	P	W	0	Voice Coil Inner Diameter	VC <sub>d</sub>	mm	25.7
Test Spectrum Bandwidth	2khz - 20khz	12 dB/Oct		Maximum Linear Excursion	$X_{mmax}$	mm	3.00
				Transducer Mass	-	kg	0

### Frequency and Impedance Response:

