

## HDS PPB 8" Woofer



Type Number: 831868

### Features:

The new High Definition Sound (HDS) PPB series is the culmination of Peerless working in close partnership with end users of Peerless-based audio products. With a deep understanding of customer requirements and needs, Peerless developed the proprietary and highly advanced Polypropylene Black (PPB) cone material used in the HDS PPB Series, creating a stiff but still dampened cone that remains stable even under the greatest sound pressures.

See architecture notes for [HDS Platform](#)



Driver Highlights: PPM diaphragm, 33 mm coil, AL

See [Application Notes](#)

[Go to Architecture Notes](#)

### Specs:

#### Electrical Data

Nominal impedance	Zn	8	ohm
Minimum impedance	Zmin	6.1	ohm
Maximum impedance	Zo	51.1	ohm
DC resistance	Re	5.4	ohm
Voice coil inductance	Le	0.35	mH

#### T-S Parameters

Resonance Frequency	fs	29	Hz
Mechanical Q factor	Qms	3.66	
Electrical Q factor	Qes	0.41	
Total Q factor	Qts	0.37	
Force factor	Bl	7.4	Tm
Mechanical resistance	Rms	1.11	Kg/s
Moving mass	Mms	23.1	g
Suspension compliance	Cms	1.34	mm/N
Effective cone diameter	D	17	cm
Effective piston area	Sd	227	cm <sup>2</sup>
Equivalent volume	Vas	97.8	ltrs
Sensitivity (2.83V/1m)		89.3	dB
Ratio BL/√(Re)		3.2	
Ratio fs/Qts	F	78	

#### Power handling

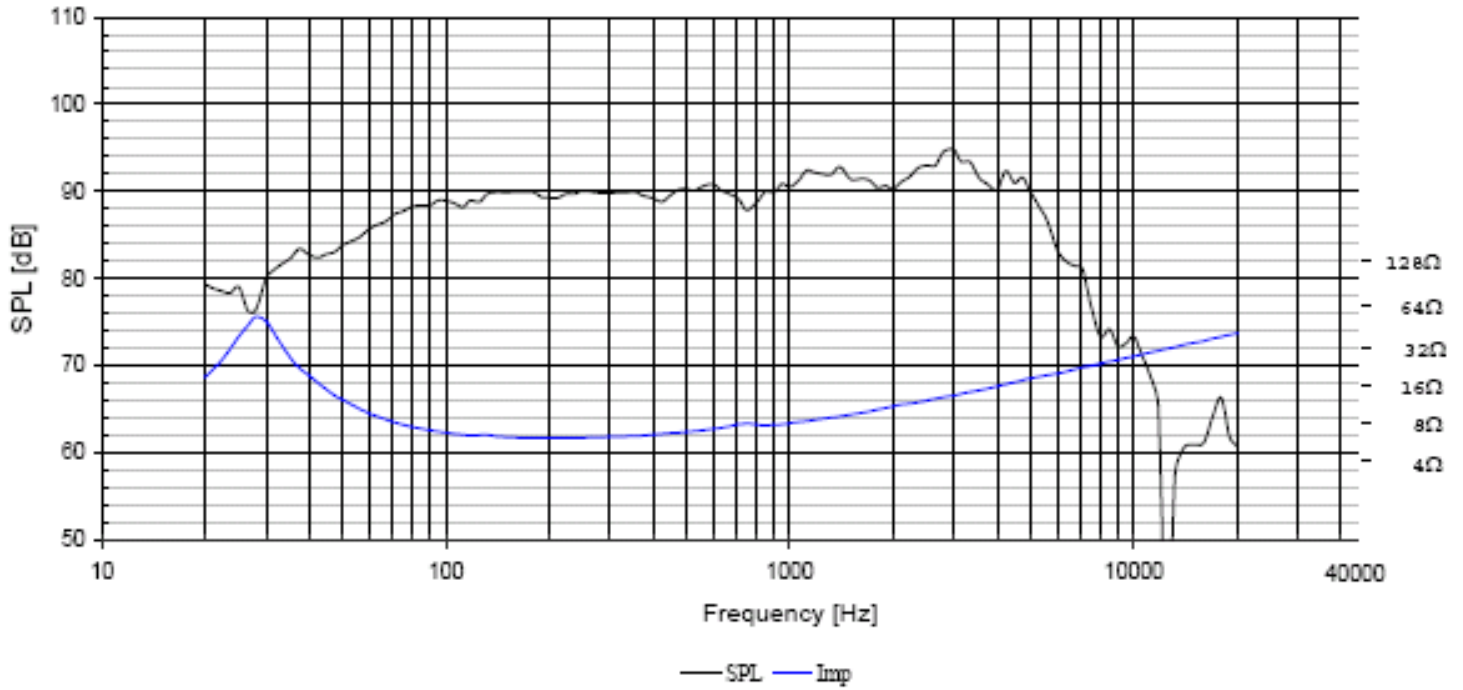
100h RMS noise test (IEC)	60	W
Long-term Max Power (IEC 18.3)	100	W
Max linear SPL (rms) @ power	--	dB/W
Short Term Max power (IEC 18.2)	--	W

#### Voice Coil and Magnet Parameters

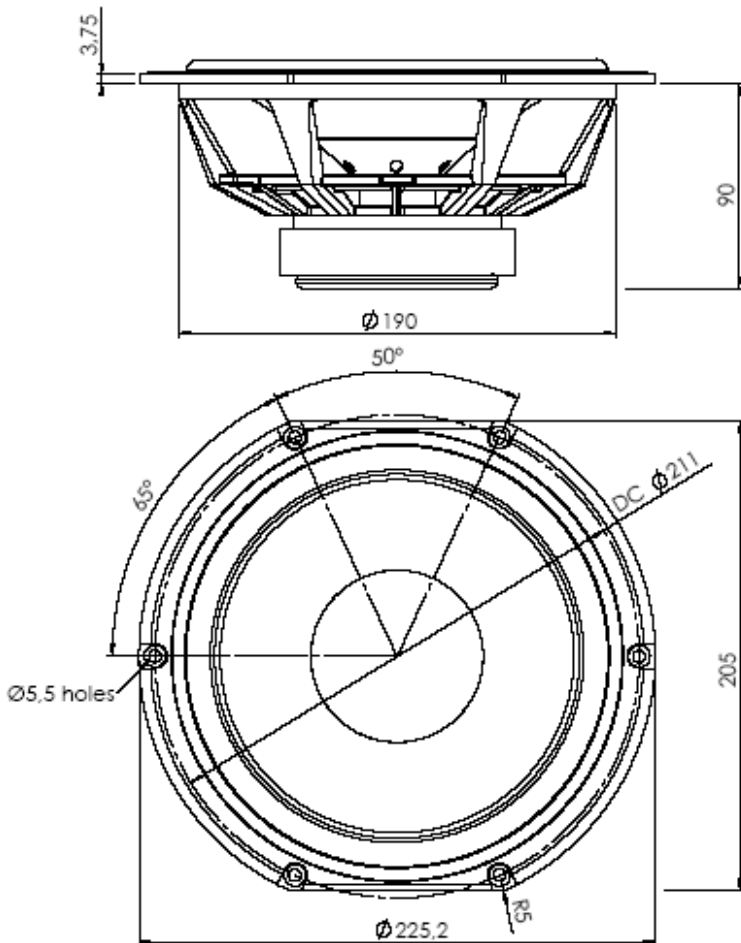
Voice coil diameter	33	mm
Voice coil height	17	mm
Voice coil layers	4	
Height of the gap	6	mm
Linear excursion +/-	5.6	mm
Max mech. excursion +/-	--	mm
Flux density of gap	--	mWb
Total useful flux	--	mWb
Diameter of magnet	102	mm
Height of magnet	20	mm
Weight of magnet	--	Kg

Notes:  
IEC specs refer to IEC 60268-5 third edition.  
All Tymphany products are RoHS compliant.

Frequency: 831868



Mechanical Dimensions:831868



Drawing Dimensions

- Outside Diameter
- Flange Thickness
- Magnet Diameter
- Cutout Diameter
- Interior Depth
- Hole Diameter
- Screw Circle Diameter