

HDS Exclusive 8" Woofer

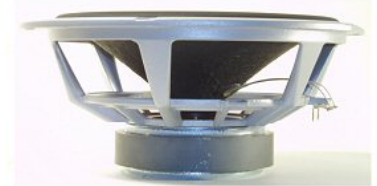


Type Number: 830884

Features:

This High Definition Sound (HDS) line of products push the performance limits of midbass audio transducers in a range of sizes - from the standard 205mm (8-inch) model, down to the very small 106mm (4-inch) model. Feature-rich and utilizing copper for the lowest distortion possible, the high-end HDS Exclusive Series takes maximum advantage of over 80 years of R&D experience to help systems designers build the world's best audio products.

See architecture notes for [HDS Platform](#)



Driver Highlights: Nomex diaphragm, 33 mm coil, AL, CU, LS, Phaseplug

See [Application Notes](#)

[Go to Application Notes.](#)

[Go to Architecture Notes](#)

Specs:

Electrical Data

Nominal impedance	Zn	8	ohm
Minimum impedance	Zmin	6.5	ohm
Maximum impedance	Zo	45.7	ohm
DC resistance	Re	5.8	ohm
Voice coil inductance	Le	1.4	mH

T-S Parameters

Resonance Frequency	fs	32.4	Hz
Mechanical Q factor	Qms	3	
Electrical Q factor	Qes	0.44	
Total Q factor	Qts	0.38	
Force factor	Bl	8	Tm
Mechanical resistance	Rms	1.61	Kg/s
Moving mass	Mms	23.7	g
Suspension compliance	Cms	1.02	mm/N
Effective cone diameter	D	16.8	cm
Effective piston area	Sd	221	cm ²
Equivalent volume	Vas	68.8	ltrs
Sensitivity (2.83V/1m)		89.3	dB
Ratio BL/√(Re)		3.3	
Ratio fs/Qts	F	85	

Power handling

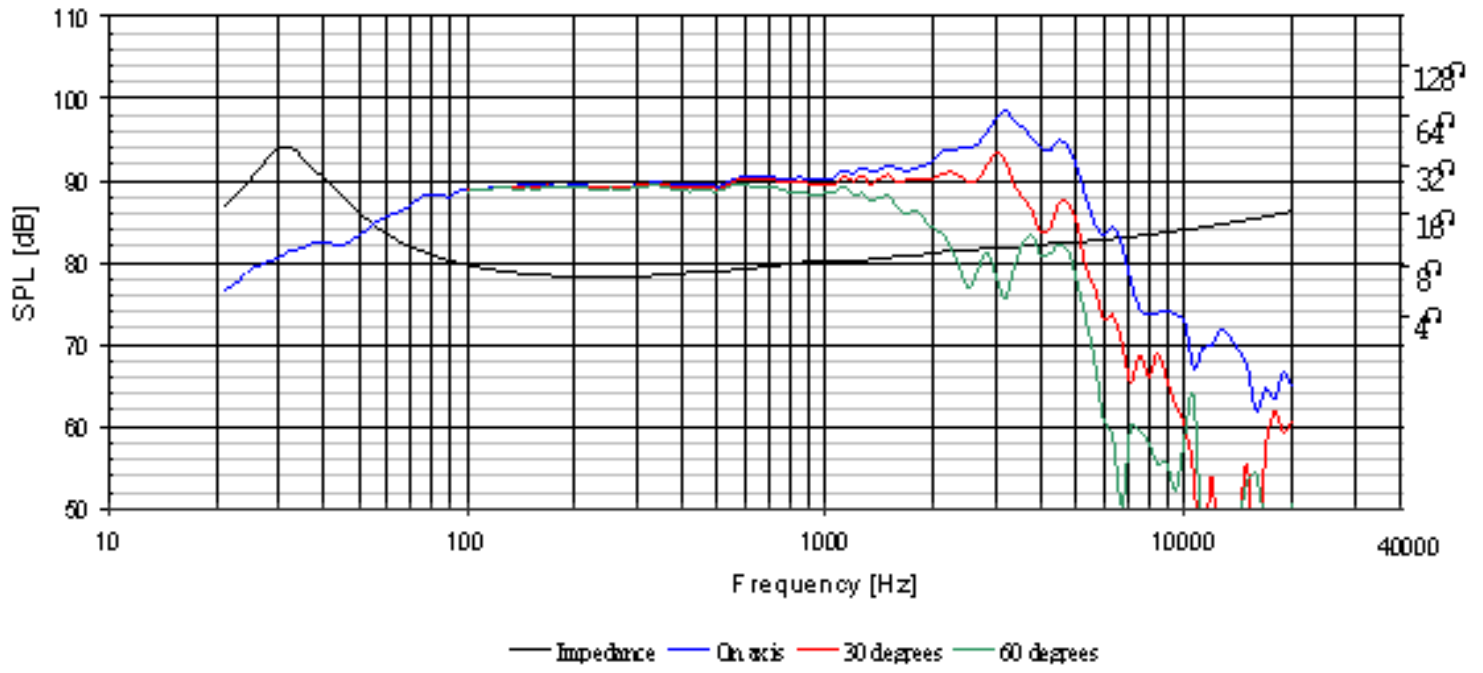
100h RMS noise test (IEC)	--	W
Long-term Max Power (IEC 18.3)	--	W
Max linear SPL (rms) @ power	--	dB/W
Short Term Max power (IEC 18.2)	--	W

Voice Coil and Magnet Parameters

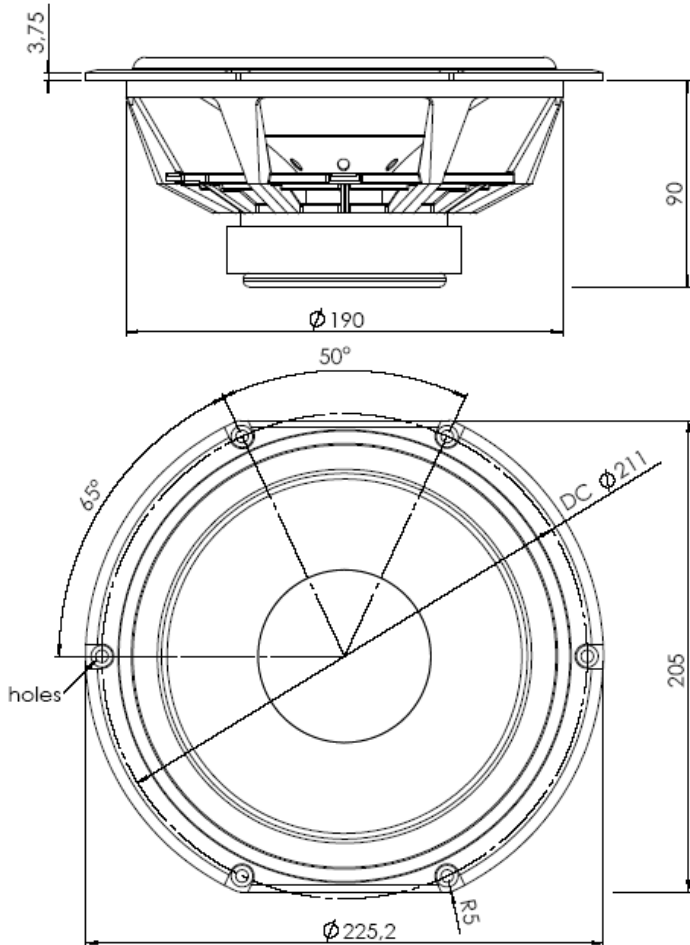
Voice coil diameter	33	mm
Voice coil height	17	mm
Voice coil layers	2	
Height of the gap	6	mm
Linear excursion +/-	5.5	mm
Max mech. excursion +/-	--	mm
Flux density of gap	--	mWb
Total useful flux	1.1	mWb
Diameter of magnet	102	mm
Height of magnet	20	mm
Weight of magnet	0.68	Kg

Notes:
IEC specs refer to IEC 60268-5 third edition.
All Tympany products are RoHS compliant.

Frequency: 830884



Mechanical Dimensions:830884



Drawing Dimensions

- Outside Diameter
- Flange Thickness
- Magnet Diameter
- Cutout Diameter
- Interior Depth
- Hole Diameter
- Screw Circle Diameter