

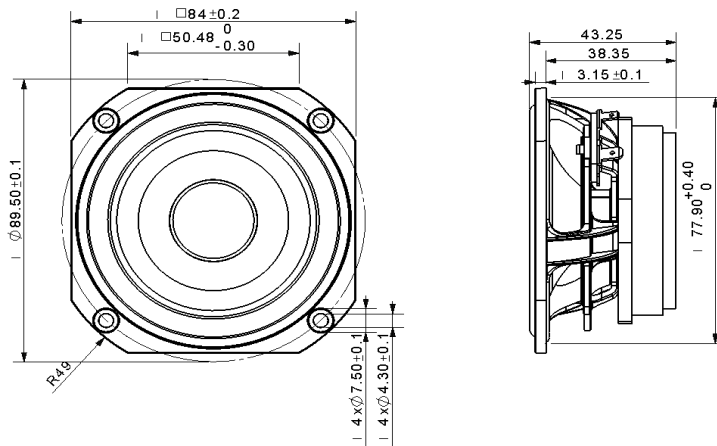


**Product Description:**

This TC family 3.5 inch 4 ohm full-range driver, with ferrite magnet, glass fiber cone and rubber surround, and damped plastic basket, is designed to be a cost-effective high performance full range driver. The cone utilizes Tymphany-patented PentaCut NRSC cone technology to help dampen and control cone resonances, optimizing the listening experience. The motor contains a copper cap to lower inductance and distortion. The product was designed with television and other compact applications in mind.



**Mechanical 2D Drawing:**



**Specifications:**

DC Resistance	$R_{evc}$	$\Omega$	3.2	5.0%	Energy Bandwidth Product	EBP	$(1/Q_{es}) \cdot f_s$	100
Minimum Impedance	$Z_{min}$	$\Omega$	3.8	7.5%	Moving Mass	$M_{ms}$	g	2.83
Voice Coil Inductance	$L_e$	mH	0.07		Suspension Compliance	$C_{ms}$	um/N	696.2
Resonant Frequency	$f_s$	Hz	113	15.0%	Effective Cone Diameter	D	cm	6.8
Mechanical Q Factor	$Q_{ms}$	-	3.0		Effective Piston Area	$S_D$	cm <sup>2</sup>	36.3
Electrical Q Factor	$Q_{es}$	-	1.14		Equivalent Volume	$V_{as}$	L	1.29
Total Q Factor	$Q_{ts}$	-	0.83		Motor Force Factor	BL	T·m	2.40
Ratio $f_s / Q_{ts}$	F	$f_s / Q_{ts}$	137		Motor Efficiency Factor	$\beta$	$(T \cdot m^2) / \Omega$	1.78
Half Space Sensitivity @ 2.83V	dB@2.83V/1m	dB	87.2	+/-1.0 <sup>1</sup>	Voice Coil Former Material	VC <sub>m</sub>	-	Aluminum
Sensitivity @ 1W/1m	1W/1m	dB	84.0	+/-1.0 <sup>1</sup>	Voice Coil Inner Diameter	VC <sub>d</sub>	mm	19.4
					Gap Height	Gh	mm	4.0
Rated Noise Power (IEC 2685 18.1)	P	W	5		Maximum Linear Excursion	$X_{max}$	mm	2.60
Test Spectrum Bandwidth	110Hz - 10kHz	12 dB/Oct			Ferrofluid Type	FF	N/A	
					Transducer Size	-	inch	3.5
					Transducer Mass	-	kg	0.3

1 - Piston Band Sensitivity Tolerance

**Frequency and Impedance Response:**

