

UNLESS OTHERWISE SPECIFIED:
 DIMENSIONS ARE IN MILLIMETERS
 SURFACE FINISH:
 TOLERANCES:
 LINEAR:
 ANGULAR:

FINISH:

DEBUR AND
 BREAK SHARP
 EDGES

DO NOT SCALE DRAWING

REVISION

	NAME	SIGNATURE	DATE		
DRAWN					
CHK'D					
APPV'D					
MFG					
Q.A					
				MATERIAL:	
				WEIGHT:	

TITLE:

Панель

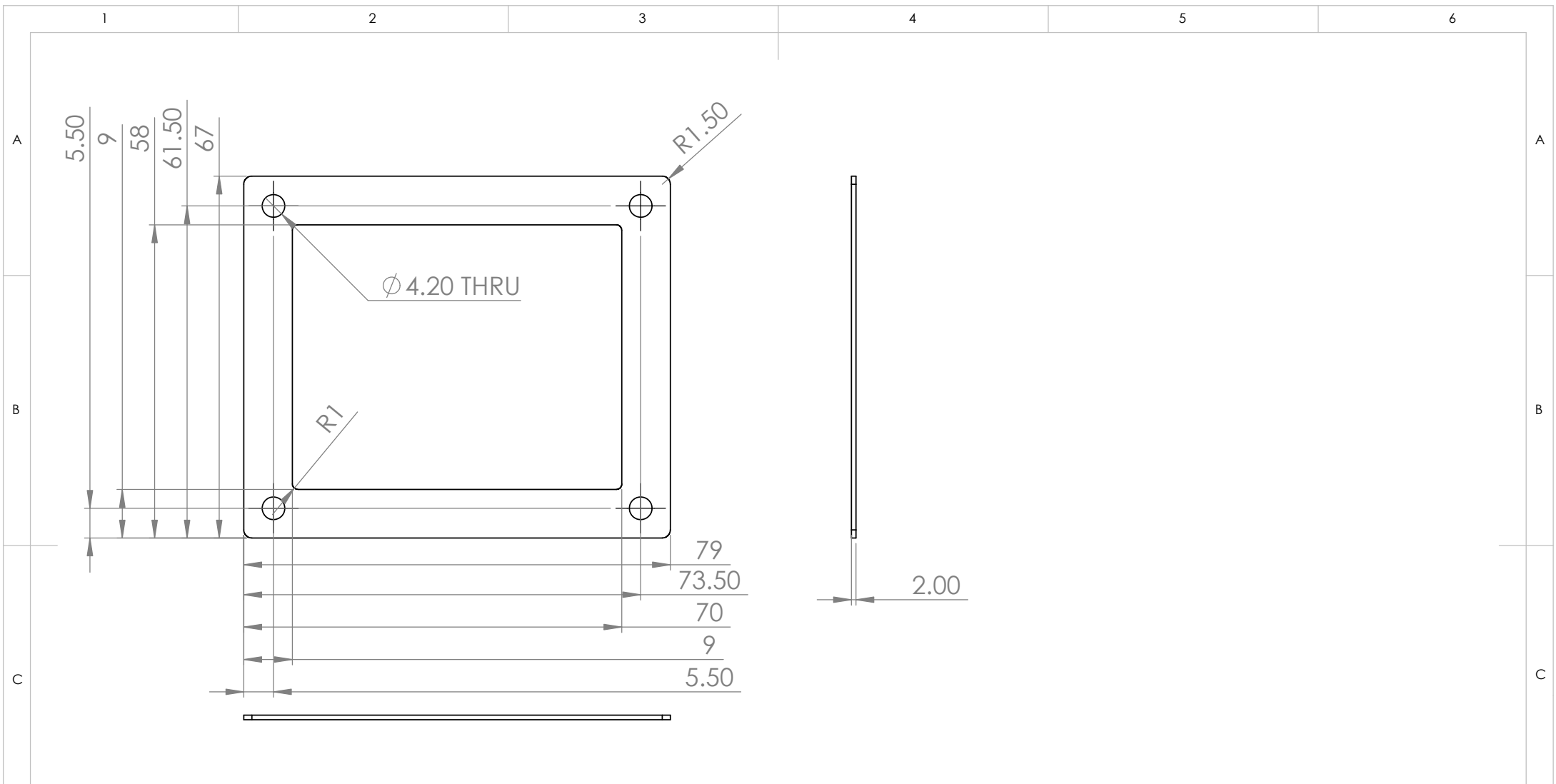
DWG NO.

Assem1

A4

SCALE:1:1

SHEET 1 OF 2



UNLESS OTHERWISE SPECIFIED: DIMENSIONS ARE IN MILLIMETERS SURFACE FINISH: TOLERANCES: LINEAR: ANGULAR:				FINISH:		DEBUR AND BREAK SHARP EDGES		DO NOT SCALE DRAWING		REVISION					
								TITLE: <h1>Уплотнитель</h1>							
DRAWN				NAME		SIGNATURE						DATE		DWG NO.	
CHK'D														Assem1	
APPV'D														A4	
MFG															
Q.A								MATERIAL:		SCALE:1:1					
								WEIGHT:		SHEET 2 OF 2					