

# Mlytic HV+ (4-Pin High Voltage Power Cap)

The Mlytic® HV+ · High Voltage Power Cap series is especially engineered for use in small but excellent power and pre amplifiers. Due to their advantages over 2 pin electrolytics they are first choice for ambitious audio engineers.

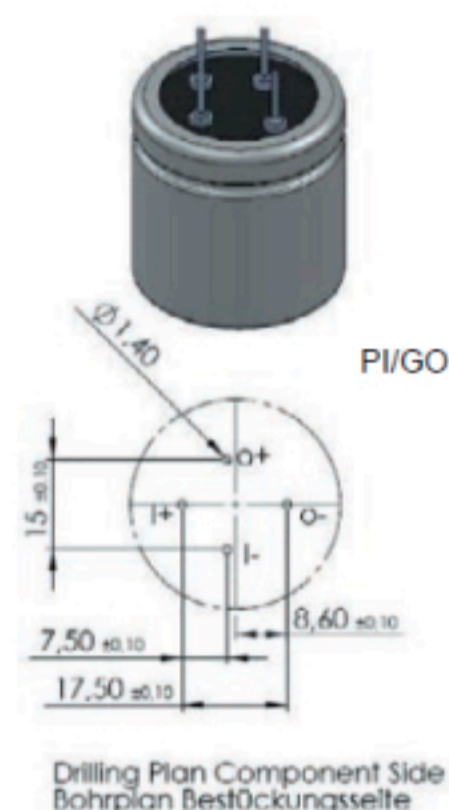
MLGO+ · glue-on capacitors offer non-magnetic, straight, tinned copper wires  $\phi$  1.2mm  $\approx$  AWG17. Additionally they own a vibration-reducing, traction-relieving, self-adhesive MPSA · Mounting Pad.



Please find recommendable accessory:  
**MPSA · Mounting Pad, MCNV · Mounting Clamps** und passendes **Solder**

The Mlytic® HV+ · High Voltage Power Cap series offers all benefits of Mundorf's unique Mlytic® technology plus the following features:

- Supply availability: Typically ex stock for all types listed below  
4-6 weeks for your individual combination of features from 144pcs only
- Versatile applicable: RoHS-compliant · lead free  
REACH compliant  
Finest UL-listed ingredients only  
Sectional specifications DIN 41332 · IEC 60384-4  
Climatic category IEC 60068 40/105/56
- Indication of origin: Made in Germany with greatest care
- 4-Pin Technology: Separated in- and outputs for optimal contacting and pull-out strength, supreme pulse fidelity, no magnetic loss  
exceptional filtering features



- Capacitance range: 30µF to 2 700µF
- DC voltage range: 250 · 350 · 400 · 450 · 500 · 550
- Temperature range: -25°C/-13°F to 105°C/+220°F [250V to 450V]  
-40°C/-40°F to 125°C/+255°F [500V to 550V]
- Useful lifetime [UR · IR~]: 8 000 hours at 105°C/220°F [250V to 450V]  
16 000 hours at 85°C/185°F [250V to 450V]  
8 000 hour at 85°C/185°F [500V to 550V]
- Rated lifetime [UR]: 2 000 hours at 105°C/220°F [250V to 450V]  
2 000 hours at 85°C/185°F [500V to 550V]
- Case diameter [mm]: 35
- Case heights [mm]: Customized from 35 to 100 [typically in 5mm steps]
- Case diameter [inch]: 1.38
- Case heights [inch]: Customized from 1.38 to 3.94 [typically in 0.2inch steps]
- Insulation: Lead free PVC sleepe with end disk voltage proof  $\geq$  2500 AC
- Leakage current [IL [ESL]:  $\leq 0,008 \cdot C_R[\mu F] \cdot U_R + 6\mu A$  after 5 minutes at UR  
20nH equivalent series inductance
- Maximal reverse voltage: 2V

## Mlytic+ HV Glue-On 4Pin

Order Code	Capacitance [µF]	[VDC]	Body $\phi$ *H [mm]	Wire $\phi$ *L [mm]
MLGO+550-100	100 $\pm$ 20%	550	35 * 55	1.2 * 9
MLGO+550-150	150 $\pm$ 20%	550	35 * 55	1.2 * 9
MLGO+550-220	220 $\pm$ 20%	550	35 * 55	1.2 * 9
MLGO+550-330	330 $\pm$ 20%	550	35 * 70	1.2 * 9
MLGO+550-470	470 $\pm$ 20%	550	35 * 70	1.2 * 9
MLGO+500-680	680 $\pm$ 20%	550	35 * 100	1.2 * 9